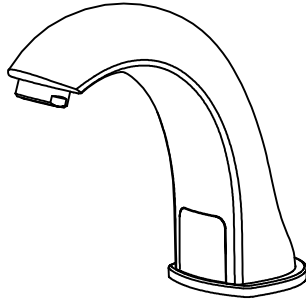
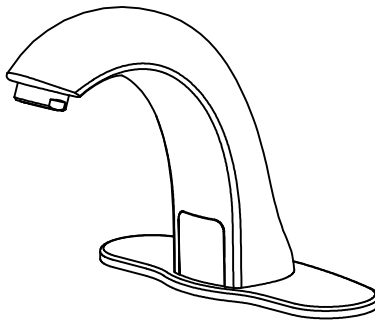


Motion sensor faucet



A

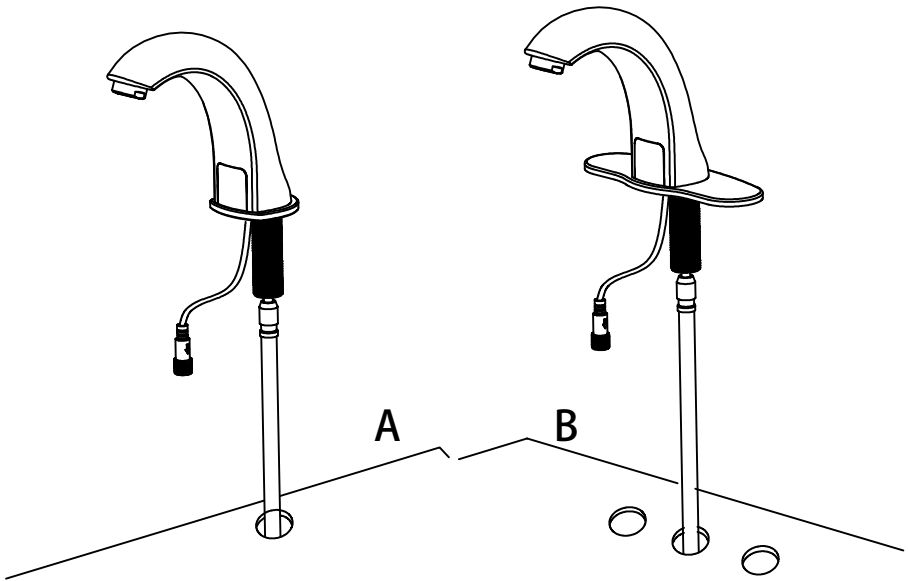
Single hole installation



B

3-hole installation

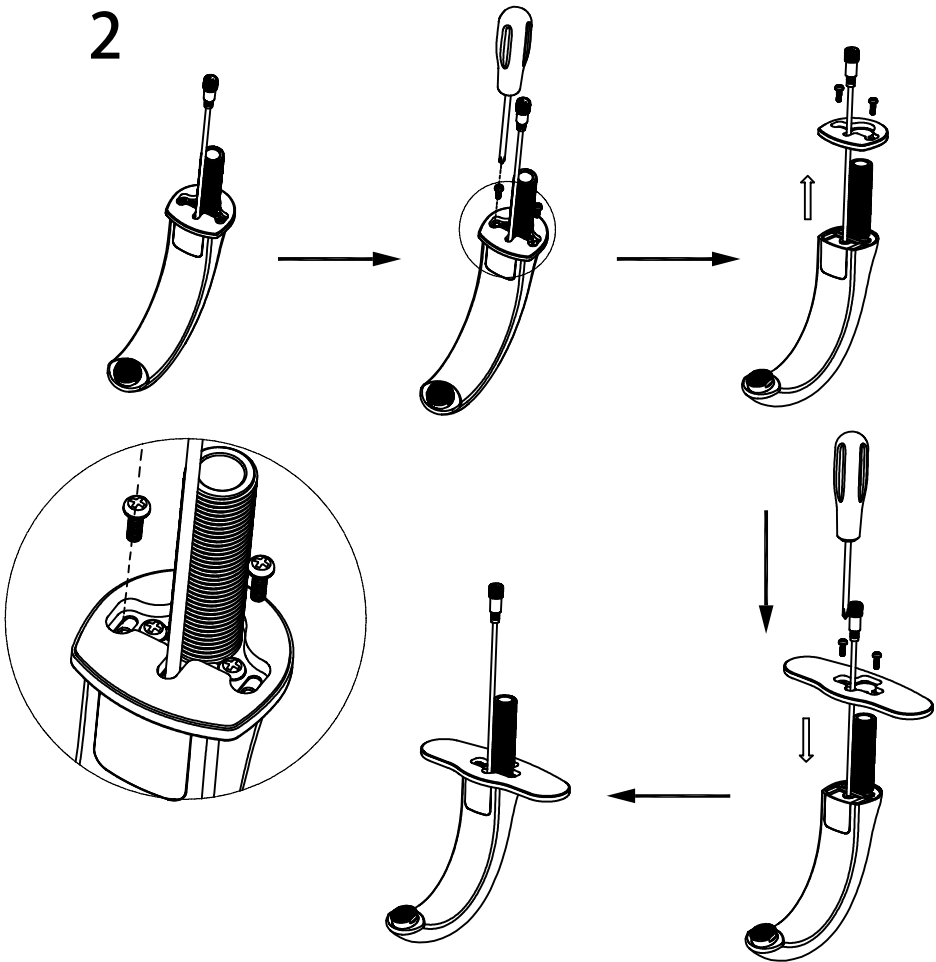
1



1.A.For 1-hole sink.insert the cable flexible pipe and the stem into the bottom of the faucet into the sink' s mounting hole.then attach the faucet on the sink.

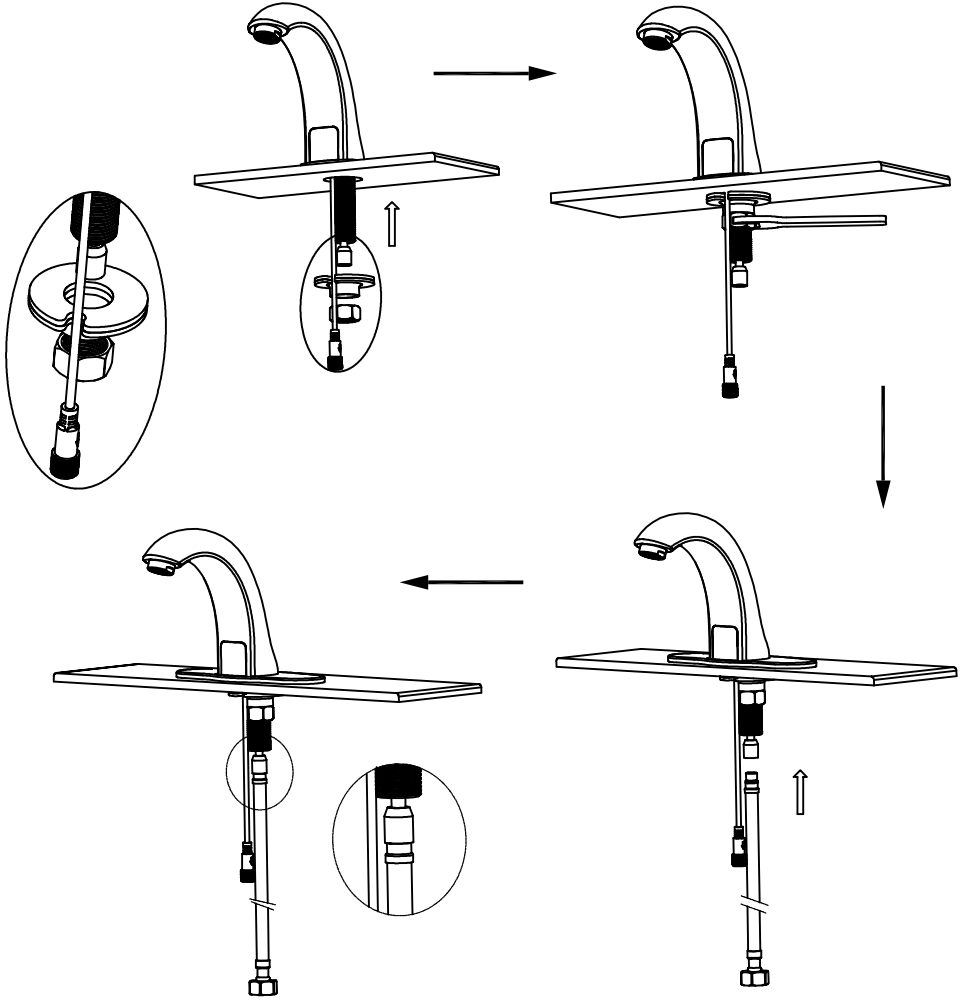
1.B.For 3-hole sink.insert deck plate over the cable flexible pipe and the stem in the mounting stem. aligning the grooves in the deck plate with the arches on the faucet bottom. and then mount the faucet on the sink.

2



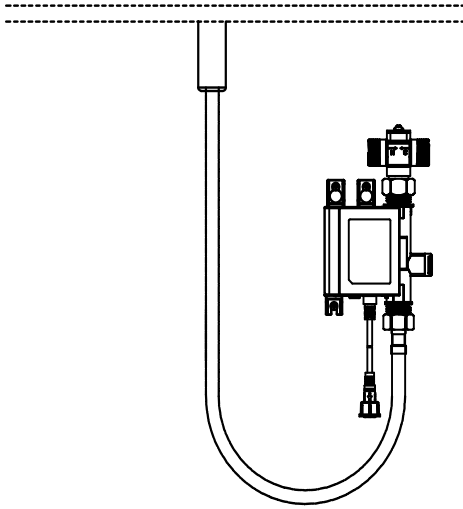
2. For 3-hole sink, use the screwdriver to remove the base at the bottom of the faucet. Replace with the deck plate and secure the deck plate to the bottom of the faucet.

3



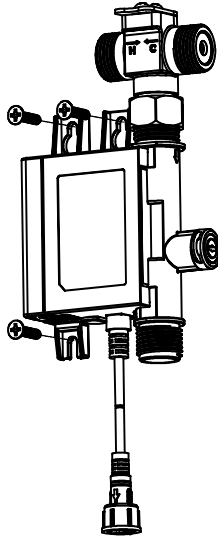
3. Slide the metal washer first.and then the spanner tighten and mounting nut.finally connect faucet with flexible pipe.

4



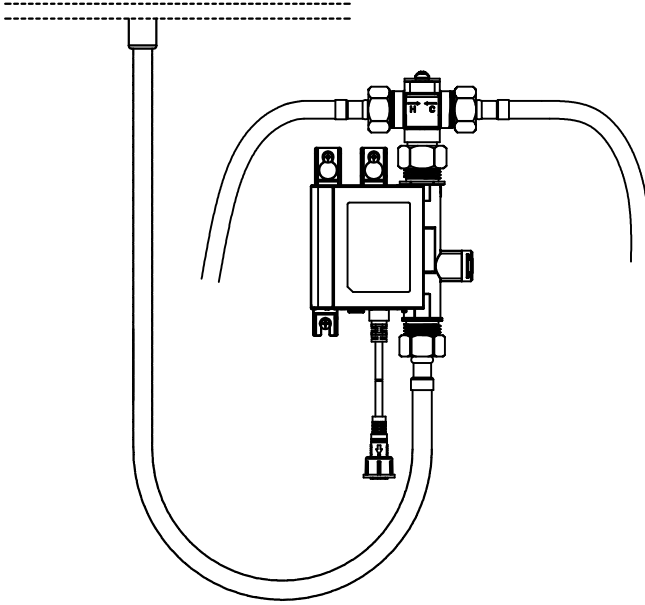
4. Connect control box outlet with flexible pipe

5



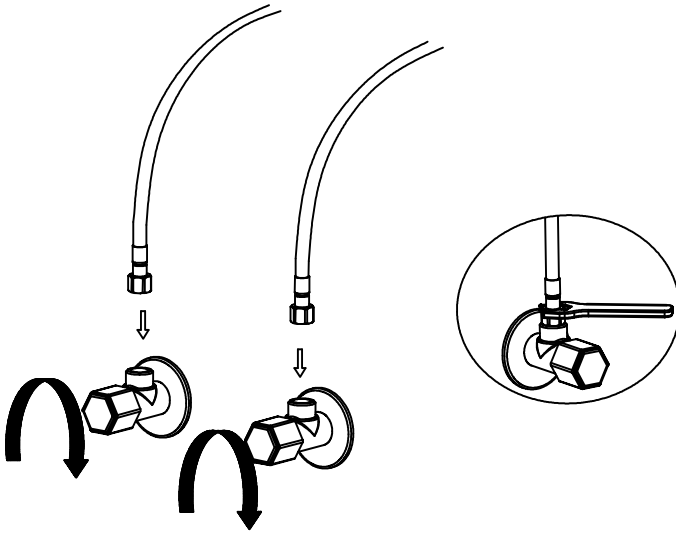
5. Mount the control box under the sink by a cross screwdriver according to the preferred dimension, leaving some room to adjust.

6



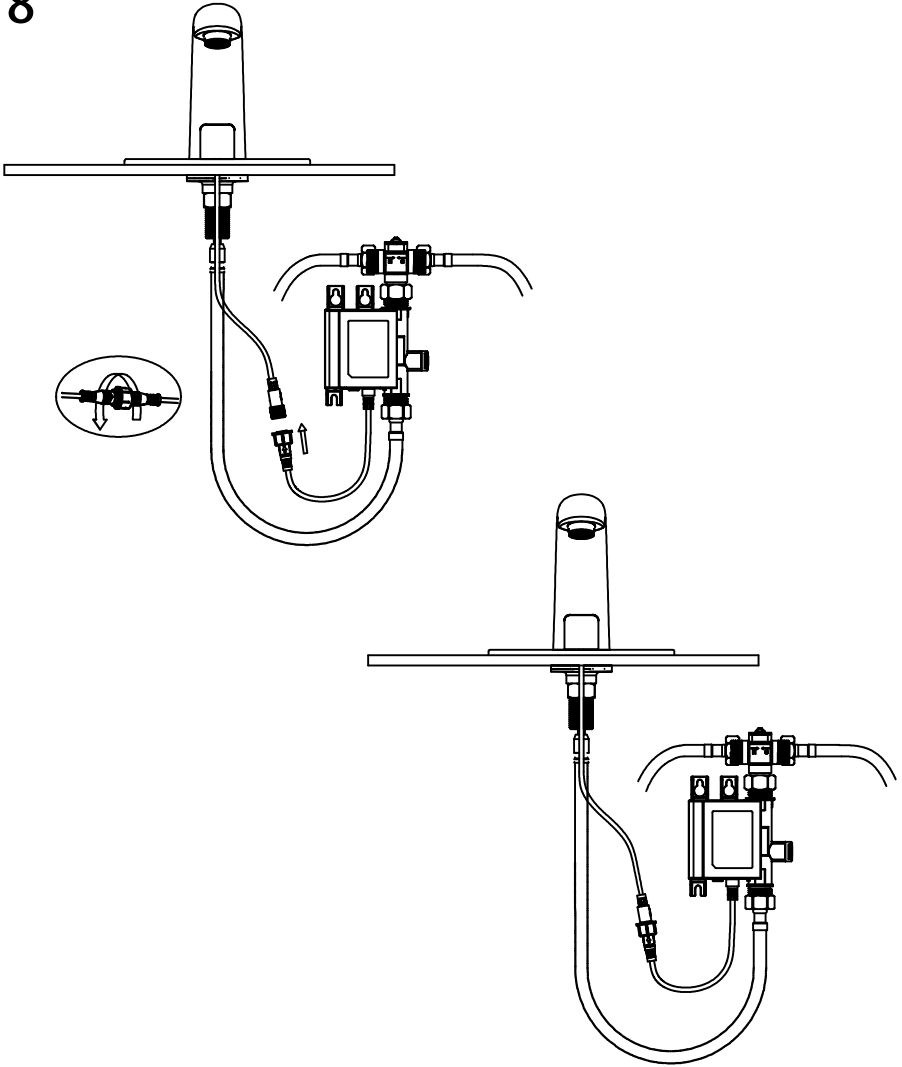
6. Cold water pipe connect to mixer valve inlet(mark C). Hot water pipe connect to mixer valve inlet(mark H).

7



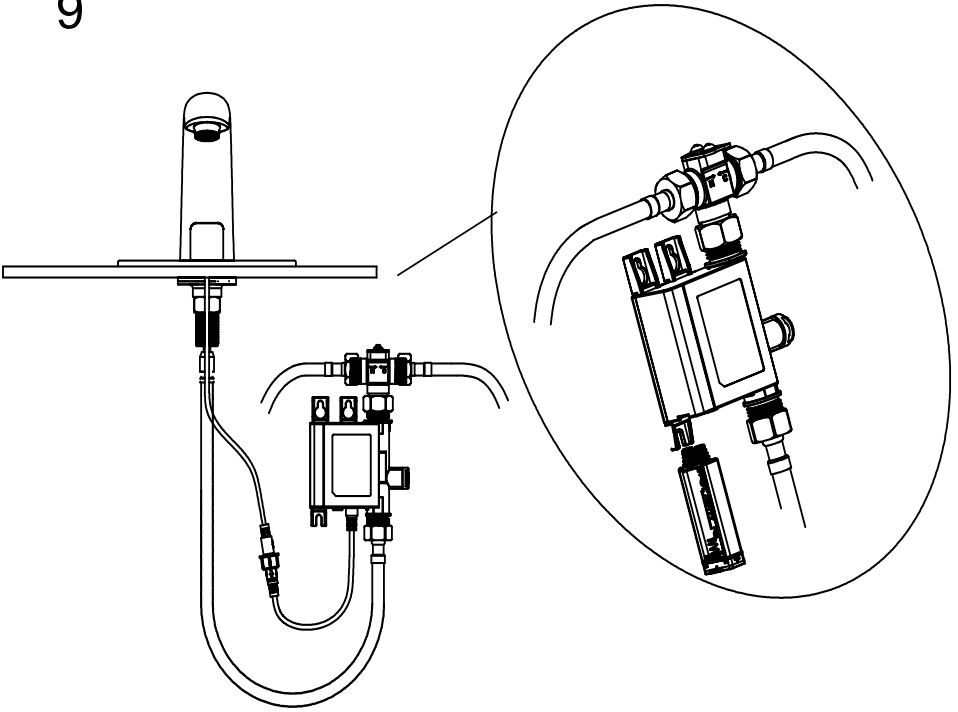
7. Connect the hot & cold supply lines onto the matching water valves and secure the connection with an adjustable wrench.

8



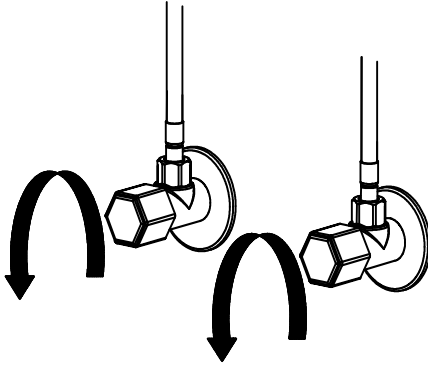
8. Connect the data cables and secure them hand tight.

9



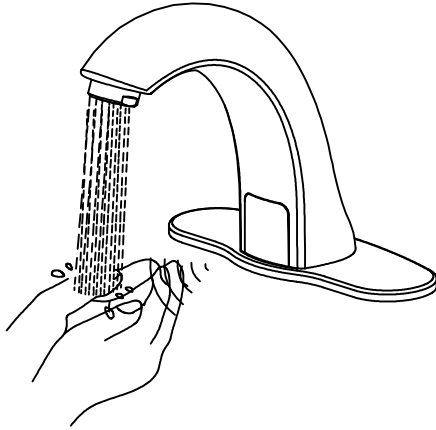
9. Remove the battery pack cover and take out the battery pack; insert 2 AAA batteries. put the battery pack back in the control box and replace the cover firmly.

10



10. When installation steps 1-10 are completed, turn the hot & cold water inlets back on.

11



A

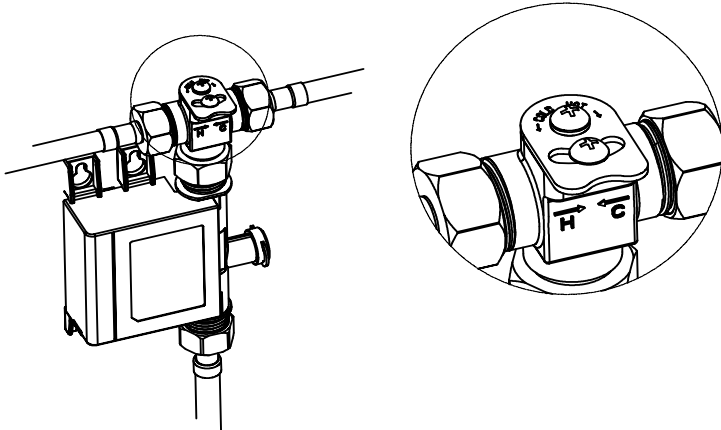
When the hand reaches the sensing range, the faucet will come out automatically. Turn off the water automatically after . one minute of continuous discharge.



B

When the hand leaves the sensing range, the tap automatically turns off the water.

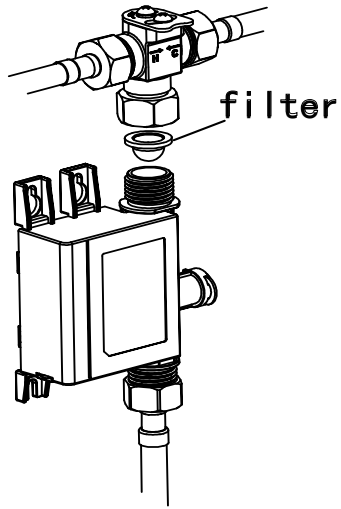
12



12

Set water temperature to desired setting
The water temperature changes by manipulating

13



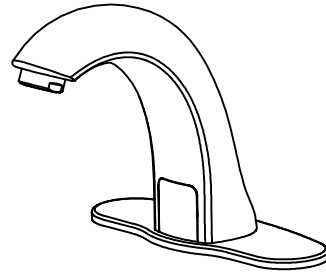
13

If the water flow rate is lower than normal, there may be build up on the filter washer. Shut off the water valve and remove the mixer valve from the control box. take out the filter washer. clean the filter and reassemble them back.

Motion sensor faucet

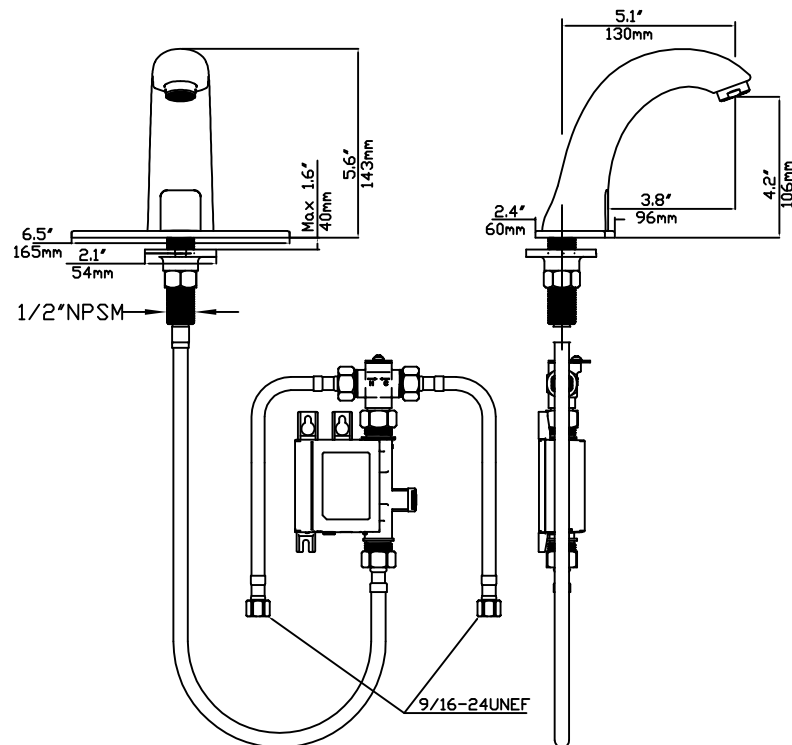
Feature:

- Single -hole or 3-hole installation options
- Drip-free Ceramic cartridge
- 1.2 gallons per minute Max at 60 psi
- Metallic waterway
- Infrared sensor functions



Model No./Colore/Finishes:

- CP polishde Chrome
- BN Brush Nickel PVD
- ORB Oil Rubber Bronze



Notes:

- The dirt and impurities in the pipe shall be cleaned before installation.
- If the water amount is reduced during use, please take off the filter screen and the bubbler in time for washing and put them back as is.
- Use 2 alkaline 7 batteries, positive and negative properly installed. Different old and new batteries or different brands should not be mixed.
- Please wipe the induction window with a clean dry soft cloth.
- The sensor window indicator will flash every 3-4 seconds when the battery is low. Please replace the battery in time.

Notes:

- The dirt and impurities in the pipe shall be cleaned before installation.
- If the water amount is reduced during use, please take off the filter screen and the bubbler in time for washing and put them back as is.
- Use 2 alkaline 7 batteries, positive and negative properly installed. Different old and new batteries or different brands should not be mixed.
- Please wipe the induction window with a clean dry soft cloth.
- The sensor window indicator will flash every 3-4 seconds when the battery is low. Please replace the battery in time.