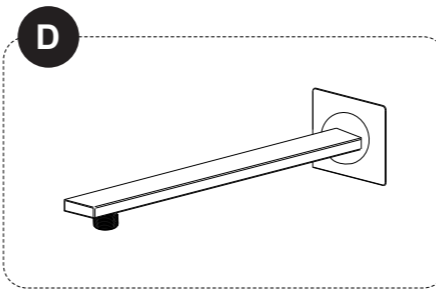
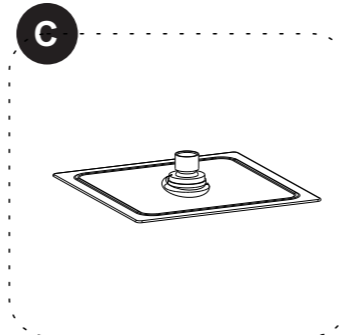
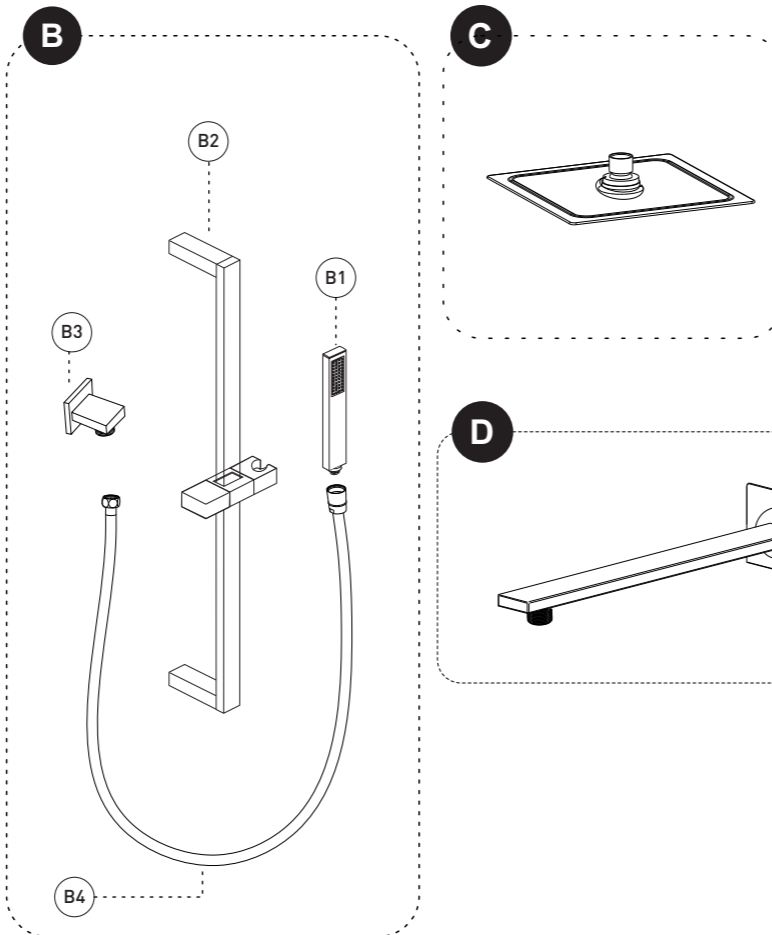
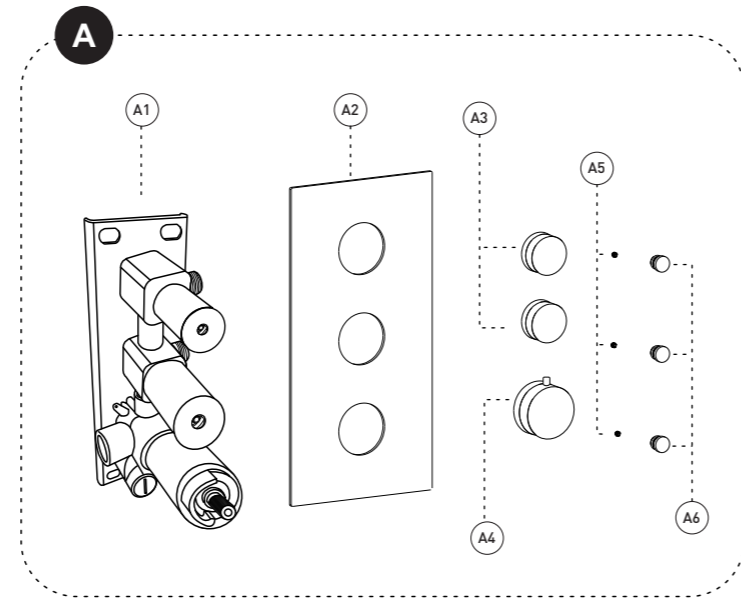
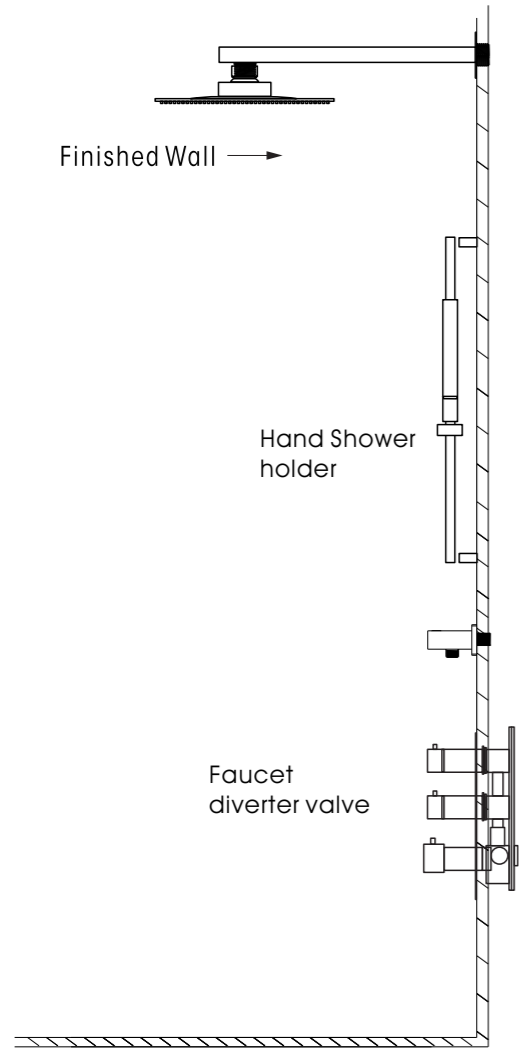


PRODUCT DRAWING



No.	Description				
A	Pressure balanced diverter valve				
A-1	Valve				
A-2	Face plate with sealjoint				
A-3	Diverter knob kit				
A-4	Shower valve knob kit				
A-5	set screws				
A-6	Trim cap				
B	Sliding bar kit with flexible hose				
B-1	Hand shower				
B-2	Adjustable slide bar				
B-3	Shunt valve				
B-4	Flexible hose				
C	Shower head				
D	Shower arm and flange kit				
Z	Accessories Package				
<table border="1"> <thead> <tr> <th>For Repair And Warranty (Spare Parts)</th> <th>For Installation (Spare Parts)</th> </tr> </thead> <tbody> <tr> <td> </td> <td> </td> </tr> </tbody> </table>		For Repair And Warranty (Spare Parts)	For Installation (Spare Parts)		
For Repair And Warranty (Spare Parts)	For Installation (Spare Parts)				

SHOWER SYSTEM FAUCET

Installation instruction



MB/BN/BG/CH/ORB

CARE INSTRUCTIONS

Rinse the product with clear water. Dry the product with a soft cloth.

DO NOT:

Use abrasive cleansers, cloths, or paper towels. Use any cleaning agents containing acid, polish, wax, alcohol, ammonia, bleach, solvent or any other corrosive or harsh chemical cleansers.

! IMPORTANT

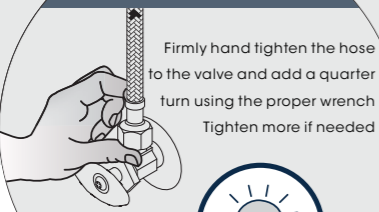
We recommends using a professional plumber for all installation and repair. Please inform yourself about the canadian plumbing code`s regulations and your local municipality plumbing codes before installlation.the canadian plumbing code requires the installation of urge arresting devices to eliminate water hammering.allow an adequate opening in orderto easilyaccess connections or other plumbing devicesfor maintenance or repair.

RECOMMENDED TOOLS



* Apply plumber's putty under the plastic cover deck plecta to seal your installation.
Appliquez du mastic pour plombier sous la sous-plaque de plastique pour rendre votre installation étanche.

CONNECTION ADVICE

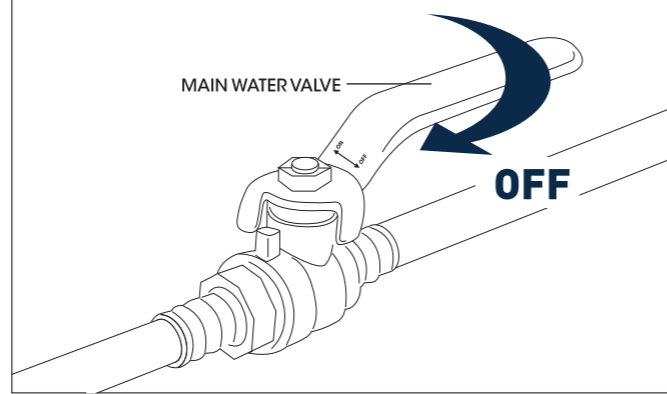


Firmly hand tighten the hose to the valve and add a quarter turn using the proper wrench
Tighten more if needed

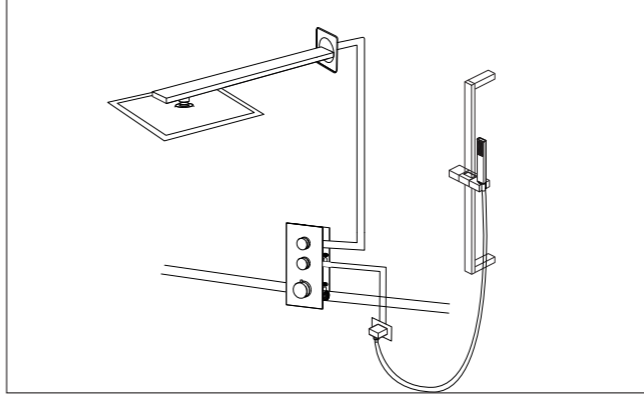
The model shown in the installation steps may differ from the one in box however connection type and installation steps are the same.

INSTALLATION STEPS

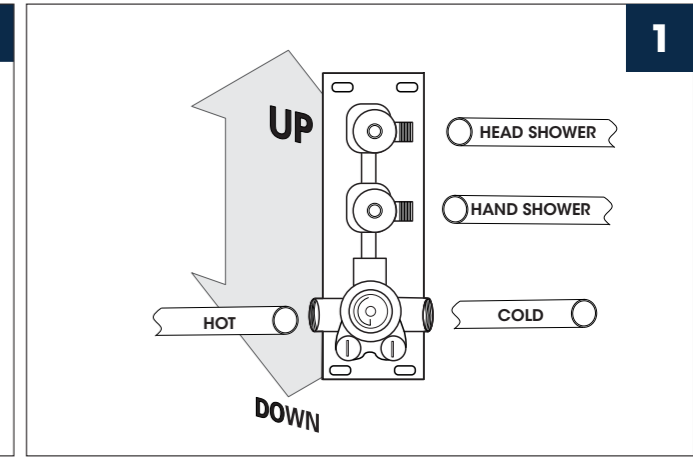
BEFORE YOU BEGIN



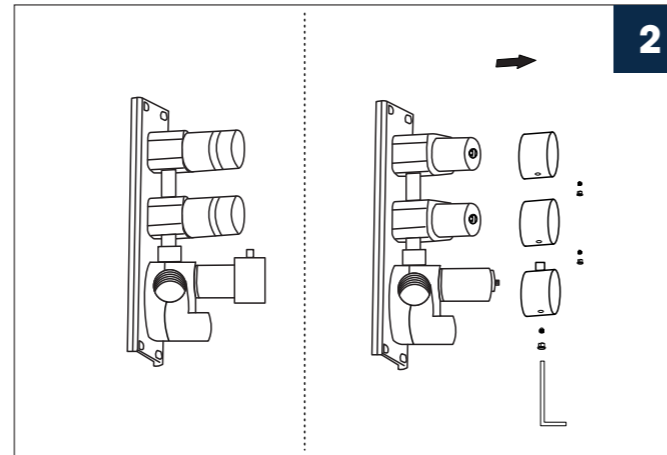
INSTALLATION WAY



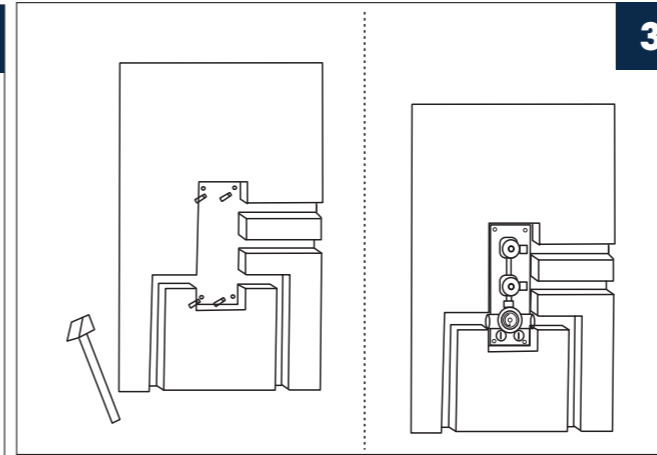
1



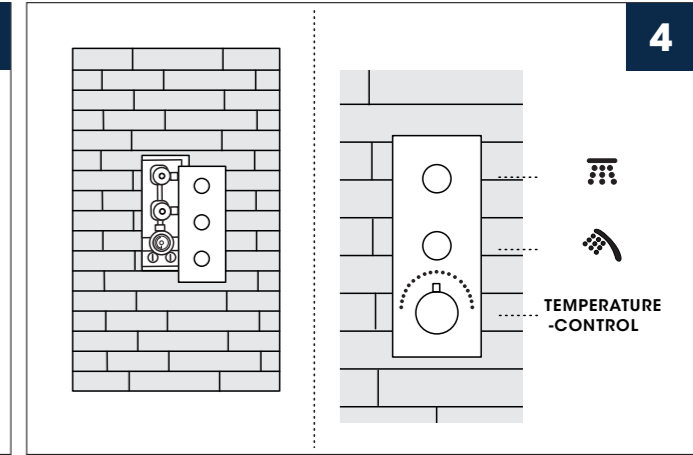
2



3

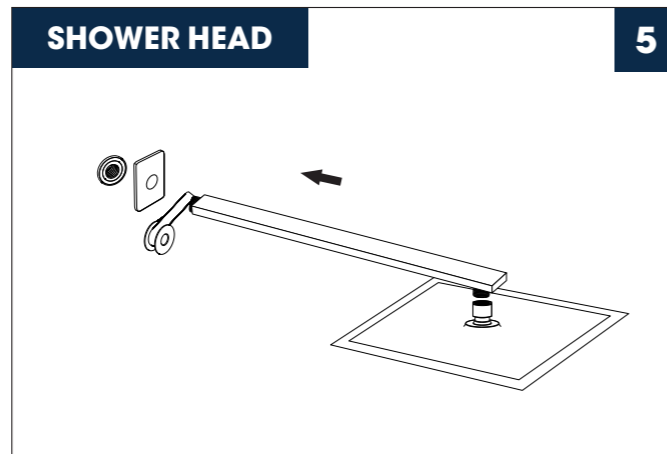


4



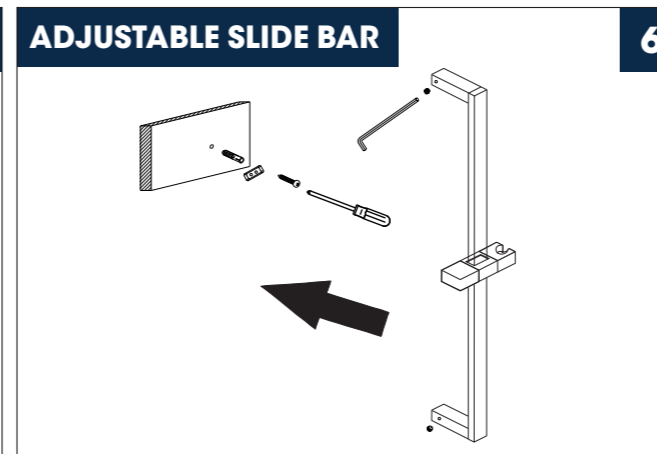
SHOWER HEAD

5



ADJUSTABLE SLIDE BAR

6



HAND SHOWER

7

