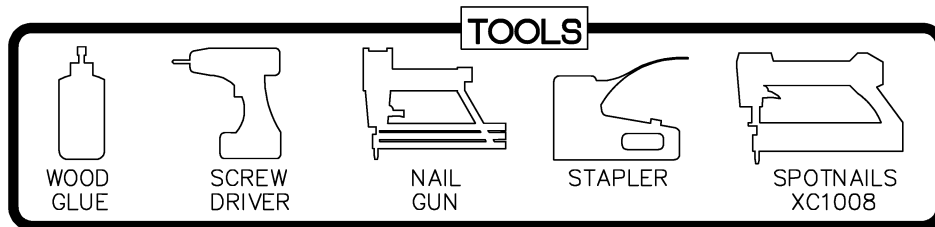
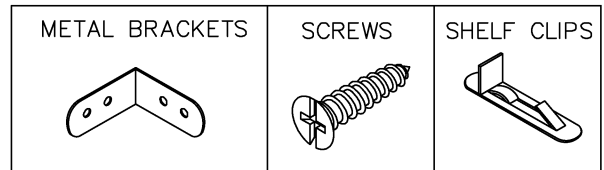
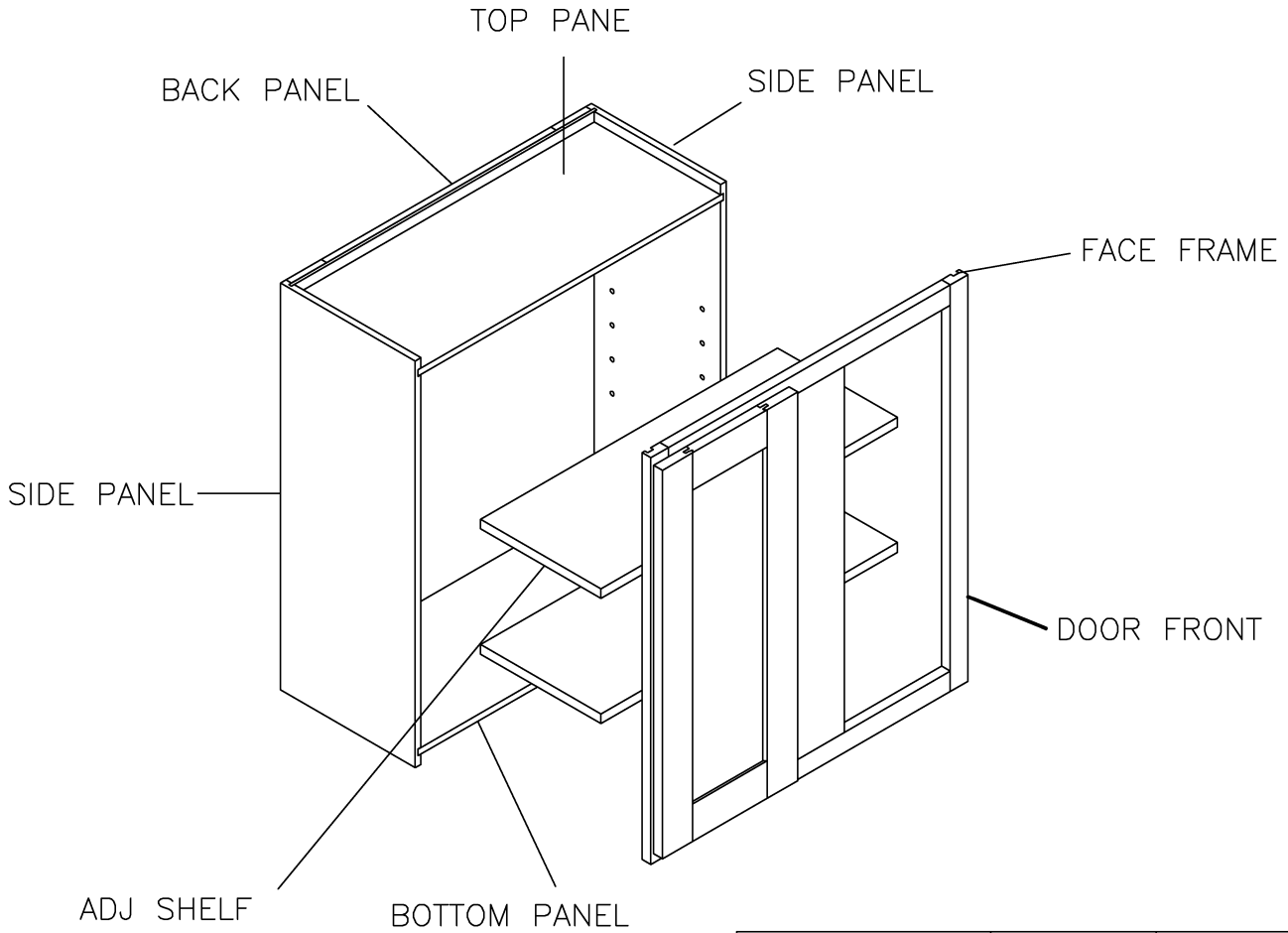
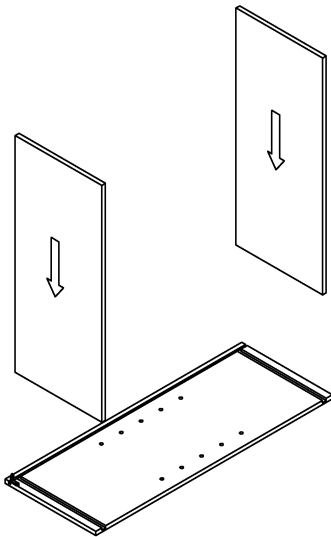


ASSEMBLY INSTRUCTIONS - WALL BLIND CORNER CABINET

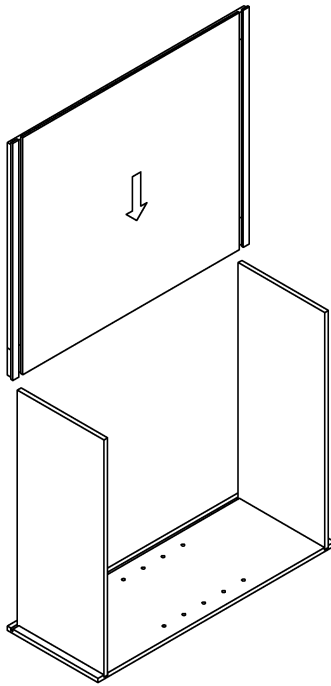


This instruction applies to the following items:
WBC2730-WBC2742

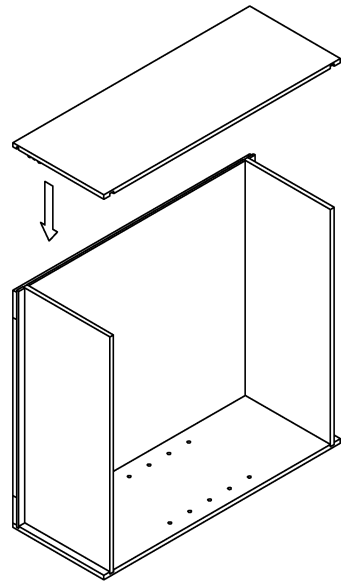
STEP 1



STEP 2



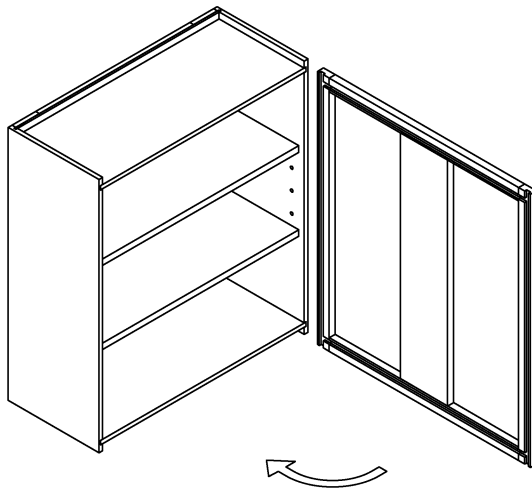
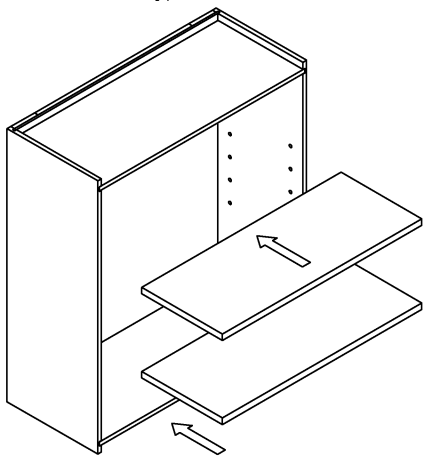
STEP 3



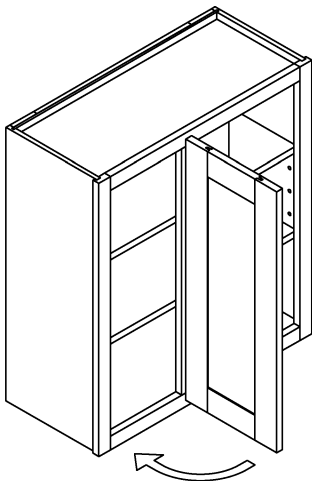
STEP 4

The number of adjustable shelf depends on the actual cabinet type

STEP 5



STEP 6



STEP 7

