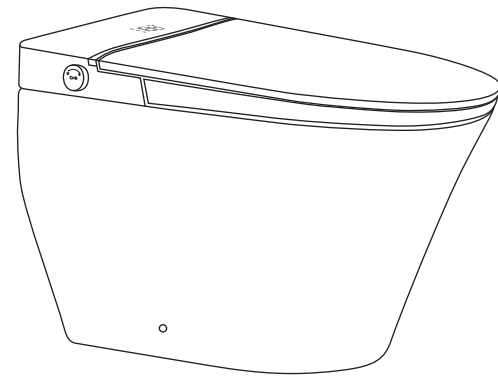




SKU:BR30019ADAT6W  
Model: T6  
Phone: 888-257-3857  
Website: [www.casainc.com](http://www.casainc.com)  
Customer Service: [service@casainc.com](mailto:service@casainc.com)

# Smart Toilet

## Manual



SKU:BR30019ADAT6W  
Model: T6  
Phone: 888-257-3857  
Website: [www.casainc.com](http://www.casainc.com)  
Customer Service: [service@casainc.com](mailto:service@casainc.com)

# Content

## Installation

<b>Safety instructions</b>	01
<b>Technical specification</b>	03
<b>FCC Statement</b>	04
<b>List of materials</b>	05
<b>Toilet drawing</b>	06
<b>Water Closet Location</b>	07
<b>Installation procedure</b>	08

## Maintenance

<b>Daily maintenance</b>	11
1.Main unit care and maintenance	
2.Spray nozzle maintenance and care	
3.Maintenance of filter net	
<b>Emergency troubleshooting</b>	13
1.Failure of remote control	
2.When the product is left unused for long time	

## Others

<b>Description of the button function</b>	15
<b>Description of indicator light</b>	19
<b>Troubleshooting</b>	21

# IMPORTANT SAFEGUARDS

When using electrical products, especially when children are present, basic safety precautions should always be followed, including the following:

- 1.The appliance is not to be used by persons (including children) with reduced physical, sensory or mental capabilities, or lack of experience and knowledge, unless they have been given supervision or instruction.
- 2.Children being supervised not to play with the appliance.
- 3.This appliance can be used by children aged from 8 years and above and persons with reduced physical, sensory or mental capabilities or lack of experience and knowledge if they have been given supervision or instruction concerning use of the appliance in a safe way and understand the hazards involved.
- 4.Children shall not play with the appliance.
- 5.Cleaning and user maintenance shall not be made by children without supervision.

## READ ALL INSTRUCTIONS BEFORE USING

**⚠ DANGER** –To reduce the risk of electrocution:

1. Do not use while bathing.
2. Do not place or store product where it can fall or be pulled into a tub or sink.
3. Do not place in or drop into water or other liquid.
4. Do not reach for a product that has fallen into water. Unplug immediately.
5. Do not wash the main unit or electrical plug with water or detergent.
6. Do not handle the electrical plug with wet hands.
7. Do not put a hand or other staff over the outlet of air dryer or block the outlet of air dryer.
8. Never disassemble,repair or modify this product.
9. During installation, disassembly, repaire and maintenance of the product,the power plug must be switched off and water supply be shut off.

**⚠ WARNING** –To reduce the risk of burns, electrocution, fire, or injury to persons.

1. Close supervision is necessary when this product is used by, on, or near children or invalids.
2. Use this product only for its intended use as described in this manual. Do not use attachments not recommended by the manufacturer.
3. Never operate this product if it has a damaged cord or plug, if it is not working properly, if it has been dropped or damaged, or dropped into water. Return the product to a service center for examination and repair.
4. Keep the cord away from heated surfaces.
5. Never use while sleeping or drowsy.
6. Never drop or insert any object into any opening or hose.
7. Do not use outdoors or operate where aerosol (spray) products are being used or where oxygen is being administered.
8. Connect this product to a properly grounded outlet only. See Grounding Instructions.
9. Do not throw cigarettes and other burning stuff into toilet, otherwise it might cause fire.
- 10.This product is electric appliance, so it must be placed far away from water. Please don't drench urine and other liquid to it.
- 11.Do not lay on side or upside the product during the electrical circuit.
- 12.It is prohibited to use other electric appliances in the same socket.
- 13.It is forbidden to use the power extension or unstable loose outlet.
- 14.The old aging water supply hose can not be used, otherwise it might cause leakage, fire or electrical shock.Installation of the bidet seat should include specified components and new water supply hose.

# IMPORTANT SAFETY INSTRUCTIONS

**⚠ CAUTION** –Indicates that failure to follow the instruction may cause body injury or property damage.

1. Do not install or use the product in wet places as steam room etc.
2. It is recommended to use water-proof electrical outlet which should be Installed in the place where is not easily got wet.
3. This product should be used with 110V-120V,50/60Hz electrical current only,load current is at least 15A. Power plug must be equipped with ground fault circuit interrupter or ground fault electrical leakage protector or similar high sensitive, rapid type leakage switch (Rated sensitive current under 6mA).
4. When it thunders,it is strongly recommended to pull out the power plug.
5. Do not stand on ceramic toilet.
6. Ceramic toilet must install floor fixing bolt.
7. Do not stand on product unit,seat and cover.
8. Do not lean against the seat cover when using the product,to avoid damage.
9. This product is equipped with soft-closing seal cover.Heavy pressing or pushing may damage the soft-closing damper.
10. Do not use lacquer thinner,petrol,liquid medicine,detergent,insecticide,toilet cleanser and scrubbing brush to clean the product.
- 11.Exposure to direct sunlight is prohibited.
- 12.Only use tap water or potable water;otherwise it may cause chafing.
- 13.Do not connect water supply to heater outlet.Make sure inlet water temperature at 3~35 C/37.4~95 F
- 14.When the room temperature is under zero degree,please dry up the water tank,to avoid freezing.
- 15.Raise rest room temperature to prevent the toilet from damage due to freezing.
- 16.When move the product from cold or wet environment into normal room temperature,wait for 2 hours until the condensation water is fully volatilized.Doing so can prevent the product from electrical short-circuit.
- 17.When not using the product over three(3) days,drain the water out of the container and pull the electrical plug from the wall outlet.
- 18.Stop using the product and shut off the power when product malfunctions,please contact the service people for professional service.

## GROUNDING INSTRUCTIONS

This product should be grounded. In the event of an electrical short circuit, grounding reduces the risk of electric shock by providing an escape wire for the electric current. This product is equipped with a cord having a grounding wire with a grounding plug. The plug must be plugged into an outlet that is properly installed and grounded.

**⚠ DANGER** – Improper use of the grounding plug can result in a risk of electric shock.

If repair or replacement of the cord or plug is necessary, do not connect the grounding wire to either flat blade terminal. The wire with insulation having an outer surface that is green with or without yellow stripes is the grounding wire.

This product is factory equipped with a specific electric cord and plug to permit connection to a proper electric circuit. Make sure that the product is connected to an outlet having the same configuration as the plug. No adapter should be used with this product. Do not modify the plug provided — if it will not fit the outlet, have the proper outlet installed by a qualified electrician. If the product must be reconnected for use on a different type of electric circuit, the reconnection should be made by qualified service personnel.

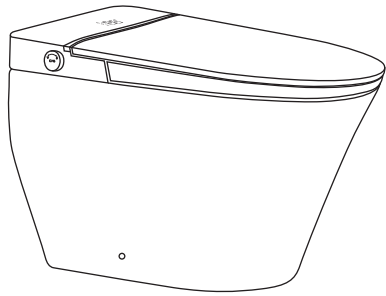
## SAVE THESE INSTRUCTIONS

# Technical Specification

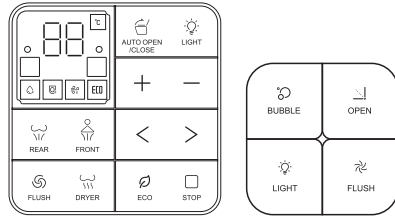
Model		T6
Main Unit	Rated voltage	110V-120V,50/60Hz
	Rated power	1120-1320W
	Overall unit Waterproof	IPX4
	Electrical wire	length is about 0.85m
Toilet	Flush volume	≤ 4.8L
	Flushing mode	Super-rotating jet siphonic flushing
	Rough-in distance	305mm
	Outlet outside diameter	≤ 90mm
	Drainage method	Down-drain
Cleaning device	Heating mode	Instant heated
	Heating power	1300W
	Water temperature	4 different level adjustment
	Water volume	5 different level adjustment
	Cleansing mode	Rear washing / Moving washing , Front washing / Moving washing
	Spray cleansing location	5 gear nozzle position adjustment
	Water pressure protector	Pressure stabilizer, Automatic pressure discharging
	Anti-fouling device	Automatic cleansing nozzle, Anti-siphon device, Anti-backflow device, Filter device
Safety device	Thermal cut-off, Water temperature sensor, Ground protection, Thermostat, Over temperature protection , Leakage protection plug	
Heated seat	Surface temperature	4 different level adjustment
	Heating power	45W
	Open and close device	Quiet soft-closing device
	Human body low temperature burn protection	If sitting exceeds 5 minutes , the system will automatically lower the temperature from the preset high-level setting to a lower temper level .
	Safety device	Sensed area, Temperature sensor, Thermal cut-off, Over temperature protection, Leakage protection plug
Drying device	Warm air volume	Over 0.2m <sup>3</sup> /min
	Warm wind temperature	4 different level adjustment
	Heating power	250W
	Safety device	Thermal cut-off, Thermostat

Model		T6
Caring device	Night light assembly	Always keeps on, can be turned off
	User ID setting	Two kinds of User ID settings
	Automatic flushing	Toilet will automatically flush as user walks away from bowl
	Foot kick function	If there is no automatic flip function, the user needs to kick or use induction to flush. Configuration with automatic lid flipping function, foot trigger to execute lid flipping, trigger again to execute circle flipping, when the circle flipping state exceeds 20S, foot trigger to execute lid and circle falling and flushing; if the circle flipping state less than 20S, foot trigger to fall or flip the ring.

# List of materials



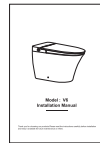
Main Unit



Remote Control



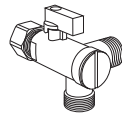
Sealing Flange



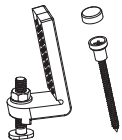
Installation Manual



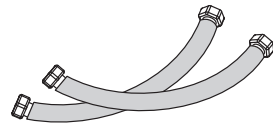
Flange



Angle Valve

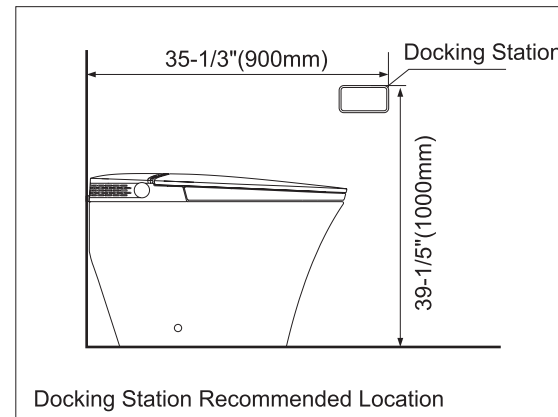
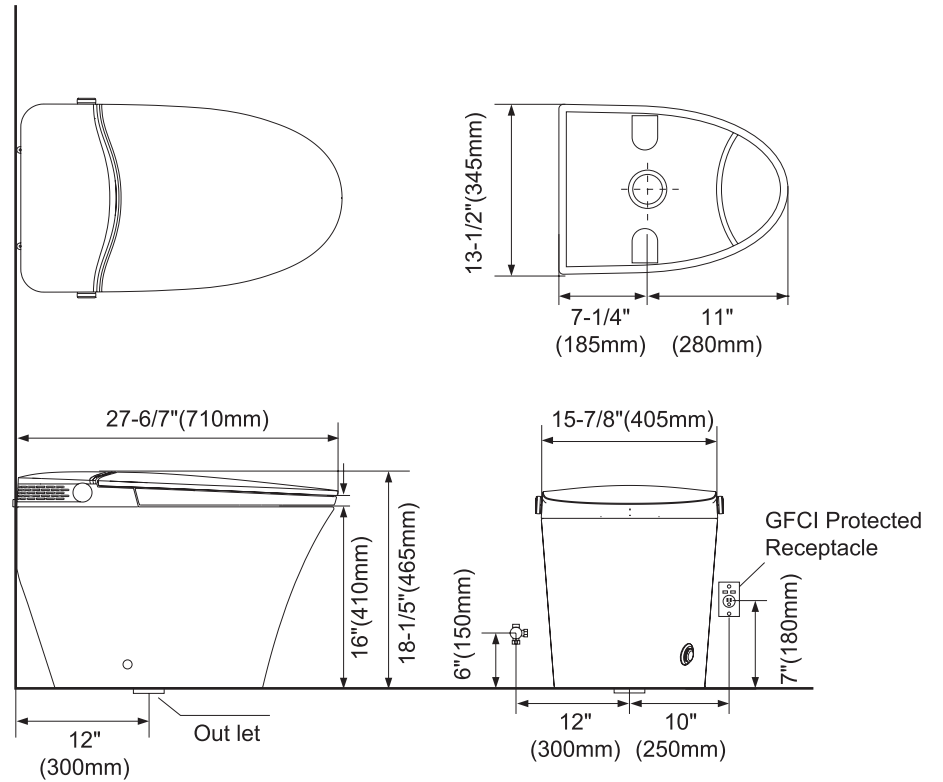


Mounting accessory kit



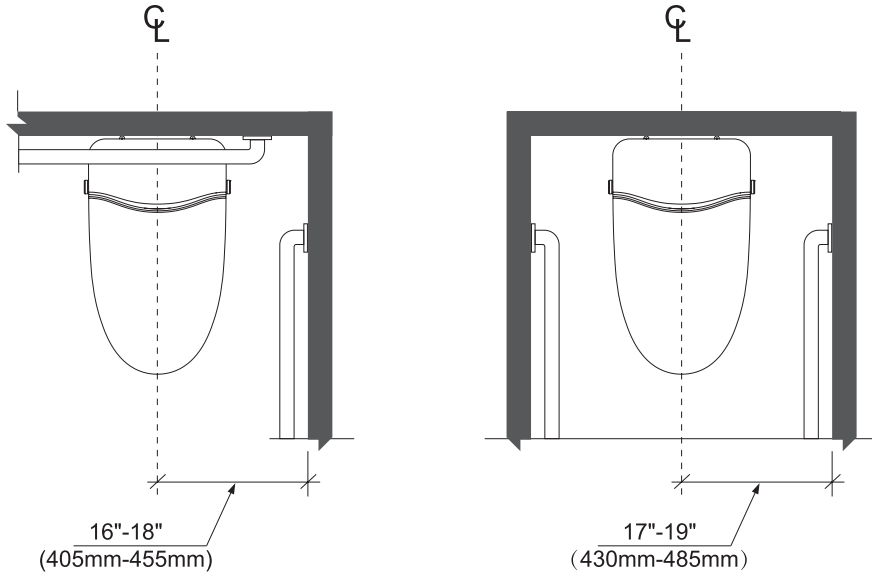
Two hoses have been connected to the toilet already.

# Toilet drawing



# Water Closet Location

(Compatible with accessibility devices)



(A) Accessible Water Closets

(B) Ambulatory Accessible Water Closets

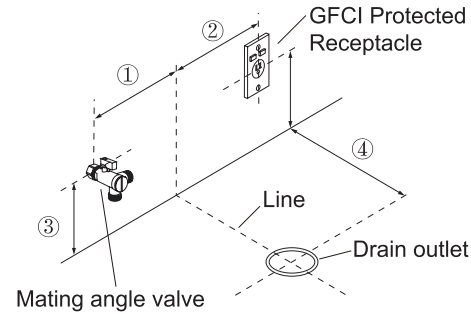
## WATER CLOSET LOCATION

# Installation procedure

### 1. Installation of mating angle valve

- Draw drain outlet centerline on the floor, Install angle valve at proper position on wall according to dimension of toilet.

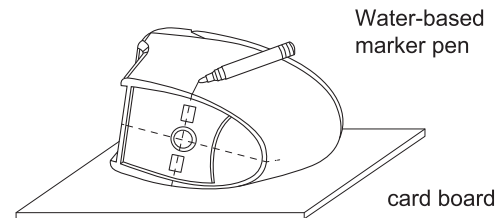
- ① 10"(254mm)-12"(305mm)
- ② 10"(254mm)-12"(305mm)
- ③ 3"(76mm)-6"(152mm)
- ④ 12"(305mm)



2. Draw a line perpendicular to the ground on the left, right, front and rear end of the ceramic surfaces corresponding to the center point of the sewage outlet.

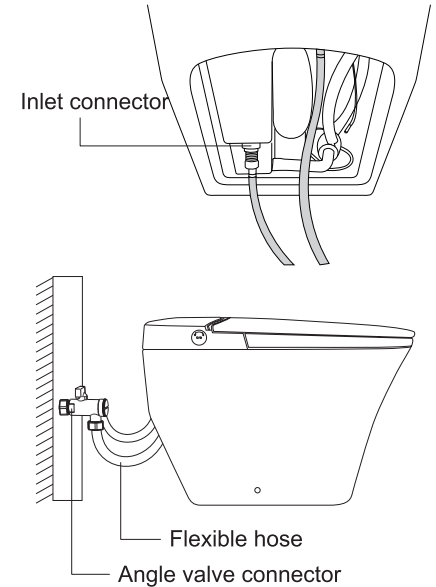
※ it is suggested to use water-based marker so the excess lines could be easily wiped off after installation.

※ The smart toilet needs to be placed on a pre-prepared card board when it is turned over on one side.



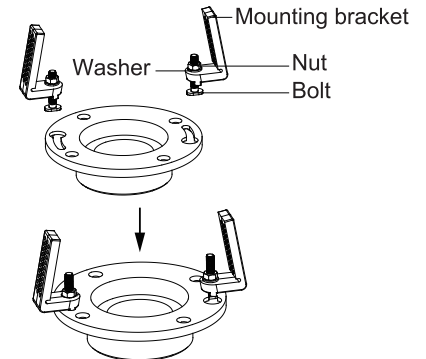
### 3. Hose

- Connect the water inlet and angle valve of the toilet with the matching hose and tighten it



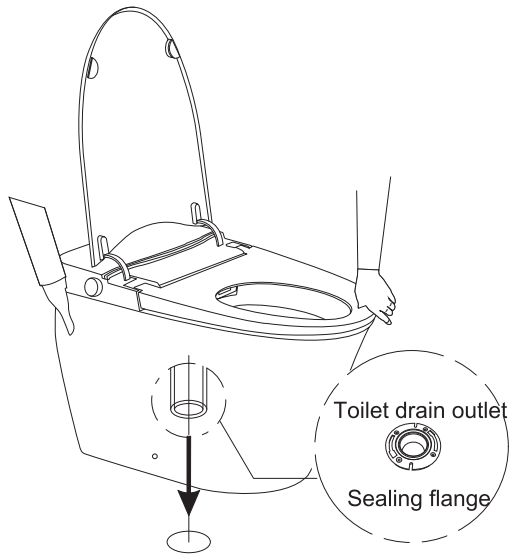
### 4. Mounting bracket installation

- Assemble the mounting bracket with bolts and then install them to the pre-installed flange plate on the ground and lock tight with nuts.



## 5. Ceramic toilet installation

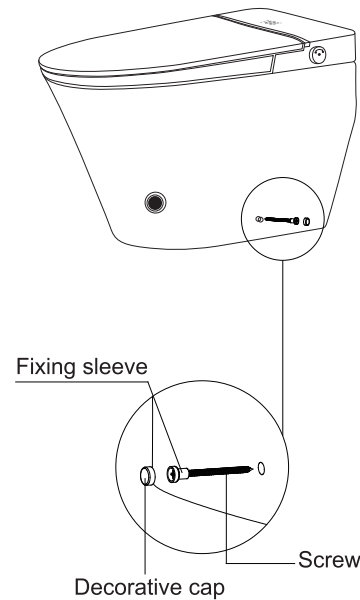
- Install sealing flange into drain outlet; Install ceramic toilet on corresponding position according to contour line.



Tips: The toilet is heavy, and it needs to open the seat cover to carry it by two people.

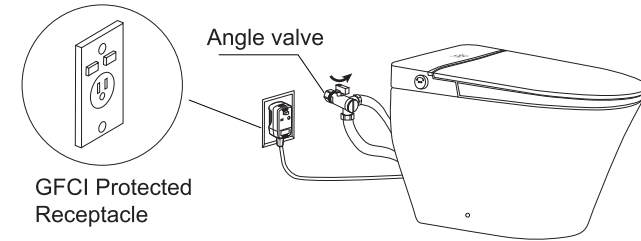
## 6. Screw installation

- Put the screw through the fixing sleeve and then install it through the holes (on both sides of the toilet ceramic) to the mounting bracket on the ground, and lock tight with a tool;
- Put the decorative cap on the fixing sleeve.



## 7. Turn on the angle valve

- Check thread connection, make sure no leakage is found, unscrew angle valve anticlockwise to maximum opening.  
(Tips: When opening for the first time, the angle valve handle has a larger torque)



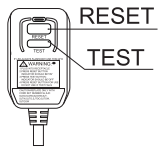
## 8. GFCI Connection

### (1). Before plugging in:

- Ensure the outlet is properly grounded and matches the plug type (110V-120V, 50/60Hz).
- Do not plug the unit into an extension cord or power strip.
- A GFCI outlet needs to be used in the installation of the bidet.
- Plug in the appliance and press test button on plug
- The appliance will stop working. There will be an audible click and the reset button will pop out. This indicates the GFCI is functioning properly.

### (2). Resetting the plug:

- Press the RESET button on the GFCI plug to enable power to the smart toilet.
- The indicator light will turn on, indicating the unit is powered.
- If GFCI is not functioning properly, return appliance to nearest service center.
- It is important that if immersion occurs, this unit be brought to a service center. Do not try to reset.
- Be sure to repeat test every time you use the unit to confirm GFCI is operational.



This appliance is equipped with a Ground Fault Circuit Interrupter (GFCI), a safety feature that renders it inoperable under some abnormal conditions, such as immersion in water. To make sure the GFCI is functioning properly, perform the following test. The purpose of this test is to allow you to make sure the water sensing system (GFCI) is working.

## 9. Self-inspection

- After the power is successfully connected, the toilet enters the self-test step

- (1). The main unit buzzer rings "beep", start self-inspection.
- (2). The main unit buzzer rings another "beep", self-inspection finish.
- (3). Start function mode for normal usage.

Should the appliance go off and the reset button pop up during use, this could indicate a malfunction in the unit. Remove plug from outlet and allow the appliance to cool. Reinsert plug into outlet.

The appliance should then function normally. If not, return it to an authorized Official Service Center for evaluation and repair.

# Cleaning and maintenance

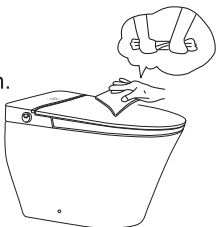
To ensure the normal use of the products, please clean and maintain the products regularly.

## Attention

- When cleaning and maintenance, please be sure to unplug the power plug from the socket, and close the water supply valve to stop the water supply.

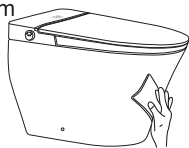
### Cleaning and maintenance method for seat cover, seat ring and cover (For plastic parts)

- Wipe with a soft cloth that has been soaked in water and wrung-out thoroughly. If the dirt is not removed in time, it will become difficult to clean. Please wipe with a wet cloth frequently. In addition, wiping with wet cloth can prevent the generation of static electricity, which will attract dust and cause the product to become black and dirty.



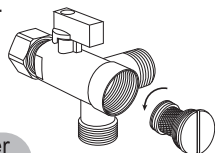
### Cleaning and maintenance methods for ceramic parts

- Please wipe the product with a soft wet cloth. The ceramic parts can be cleaned with a soft brush, cloth or sponge with a neutral toilet detergent plus cold or warm water.
- ※ Do not use inappropriate cleaner, such as alcohol, benzene, decontamination powder, bleach, paint thinner, gasoline, etc.



### Maintenance of water inlet filter

- For your health, please clean the filter in time (or replace the filter) according to the local water quality.
- When the cleaning intensity is weakened, please clean the filter in time (or replace the filter).
- ※ When removing the filter, be sure to close the water supply angle valve.
- ※ When installing the filter, please tighten it to avoid leakage.
- ※ Filter can be easily opened by a coin rotating counterclockwise.

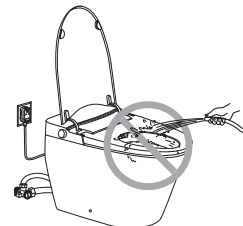


It is recommended to clean the filter once every 1-2 months



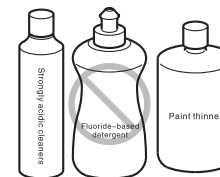
## ⚠ WARNING

- Do not add water or detergent to the electrical part of the intelligent toilet or the internal remote control. Do not wet the electrical appliance or power plug with water or detergent.
- ※ Otherwise there could be electrocution and fire.



## ⚠ ATTENTION

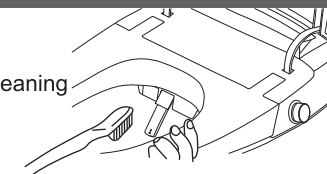
- When cleaning and maintaining plastic parts, do not use inappropriate cleaners (Strongly acidic cleaners or strong alkaline cleaners, alcohol, cresol, benzene, bleach, paint thinner, Fluoride-based detergent, gasoline, etc.)
- ※ Cracking of plastic parts may cause personal injury, electric shock or fire.



### Cleaning and maintenance of nozzle



Bowl cleaning



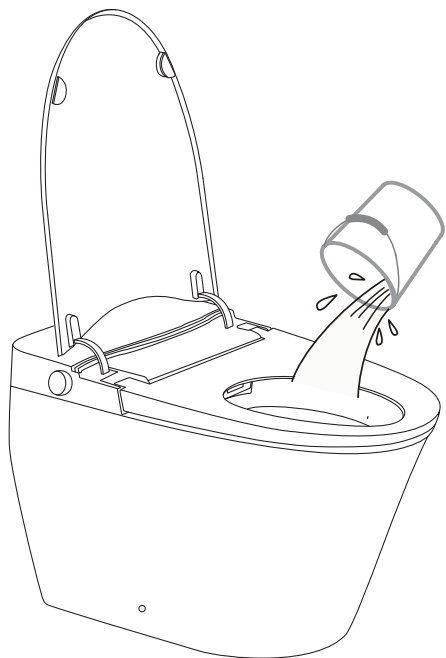
- When the toilet is powered on but not in use, the spray rod cleaning function can be activated by turning the cleaning knob counterclockwise. The spray rod extends with water flowing. If there is dirt on the nozzle, please clean it with a toothbrush.
- ※ Do not scrub the nozzle too hard, (cause damage to the nozzle).

## Emergency Troubleshooting

No water supply

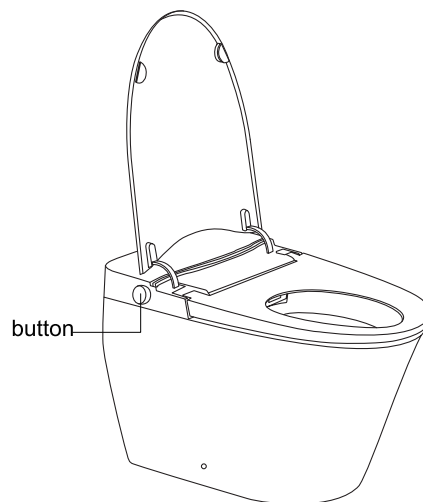
- Put around 8L water into a barrel and flush the bowl of ceramic.

Note: Avoid water spilling from bowl.



## Failure of remote control

Operate through the toilet body button



When the product is left unused for long time

- Especially in winter when no one at home for a long time, please drain out the water inside tank and pipe to prevent freezing.

To discharge water

1. Drain out the water inside tank
  - Activate flushing, and then turn off angle valve to prevent water inlet
2. Unplug and cut off the electricity
3. Drain out the water inside pipe
  - Unscrew the hose connector off angle valve, drain the water in the pipe and reinstall.



4. Handle the remaining water in bowl
  - It is suggested to put some antifreeze into water inside the bowl.

**Tips:** Make sure to turn on water supply and power when you use the toilet again.

**⚠ Note:** Before water discharging, the power must be cut off!

# Remote control operation instructions



## STOP

Click to end the current operation of the toilet and enter the standby mode.



## WATER PRESSURE

Adjustable cleaning intensity according to personal preference. Short press the "+" "-" button of the remote control, the buzzer beeps can adjust the water pressure in bowl cleaning/feminine cleaning mode, the water pressure has 5 gears in total. Press the "+" key to increase the water pressure by one level. Press the "-" key to decrease the water pressure by one level.



## FLUSHING

1. Click to flush the toilet once. (Pressing this button again does not work when the toilet is flushing).



## NOZZLE POSITION

The position of nozzle can be adjusted due to the different sitting position of each person. Shortpress the "^" "v" button of the remote control, the buzzer beeps, can adjust the nozzle position in bowl cleaning/feminine cleaning mode. There are 5 positions for the nozzle. Press the "^" key to move the nozzle forward by one gear. Press "v" to move the nozzle backward by one gear.



## LIGHT

Toilet decorative light, remote control ambient light button can turn on/off this function. / Click to turn on/off the night light function.



## FRAGRANCE

Press to activate the fragrance mist function for 15 seconds.



## AUTO OPEN / CLOSE

1. Click once to initiate Auto open of the toilet lid  
 2. Click the second time to initiate Auto open of the seat ring  
 3. Click the third time to initiate Auto close of the seat ring  
 \*The lid will automatically close 30 seconds after you leave  
 Close the lid/seat ring:  
 Press for 3 seconds when the product is on. 1. When are lid is open/seat ring is down: Press for 3 seconds to close lid  
 2. When are lid is open/ seat ring is up: Press for 3 seconds to initiate Auto flushing function and Auto close of the lid and seat ring.



## REAR

1. After seated, click to start the bowl washing function. Mobile cleaning is acquiesced. The water column moves back and forth to achieve massage effect. The cleaning will automatically end after 90 seconds and nozzle self-cleaning will be initiated  
 2. Click again to end mobile cleaning function, the water column will be fixed in position, and click again to restore mobile cleaning mode.



## FRONT

1. After seated, click to start the feminine washing function. Mobile cleaning is acquiesced. The water column moves back and forth to achieve massage effect. The cleaning will automatically end after 90 seconds and nozzle self-cleaning will be initiated  
 2. Click again to end mobile cleaning function, the water column will be fixed in position; And click again to restore mobile cleaning mode.



## DRYER

After seated, click to start the warm air drying function. The bowling will automatically end after 180 seconds  
 \*Adsorb water with toilet paper before drying to speed up the drying effect.



## ECO

When the ECO mode is activated, the seat temperature is reduced to the first level. When the seat detects occupancy, it automatically adjusts to the preset temperature.



## WATER TEMP

Click to adjust the water temperature in cleaning function. There are 4 levels, which can be cyclically adjusted:  
 normal level  
 low level  
 medium level  
 high level



## SEAT TEMP

Click to adjust the seat temperature. There are 4 levels, which can be cyclically adjusted:  
 normal level  
 low level  
 medium level  
 high level



## AIR TEMP

Click to adjust the air temperature in the drying function. There are 4 levels, which can be cyclically adjusted:  
 normal level  
 low level  
 medium level  
 high level



## Child Mode

Press to activate Child Mode. The water pressure is automatically set to the lowest level.

# Product parts

Overall picture, partial picture

### Cleaning knob

**Bowlcleaning / Mobile (while seated)**  
Nozzle self-clean (not seated)

**Feminine cleaning/ Mobile (while seated)**  
Manual foaming (not seated)

Stop      Flush      Dryer

Stop: Click to end the current operation of the toilet and enter the standby mode.

Flushing: Click to flush the toilet once. (Pressing this button again does not work when the toilet is flushing).

### Memory knob

Parameters include: water temperature, seat temperature, air temperature, water pressure, spray bar position, buttock/female wash status.

**Memory knob Turn the knob for 3seconds to store the current toilet parameters and save them as User 1**

**Memory knob Turn the knob for 3seconds to store the current toilet parameters and save them as User 2**

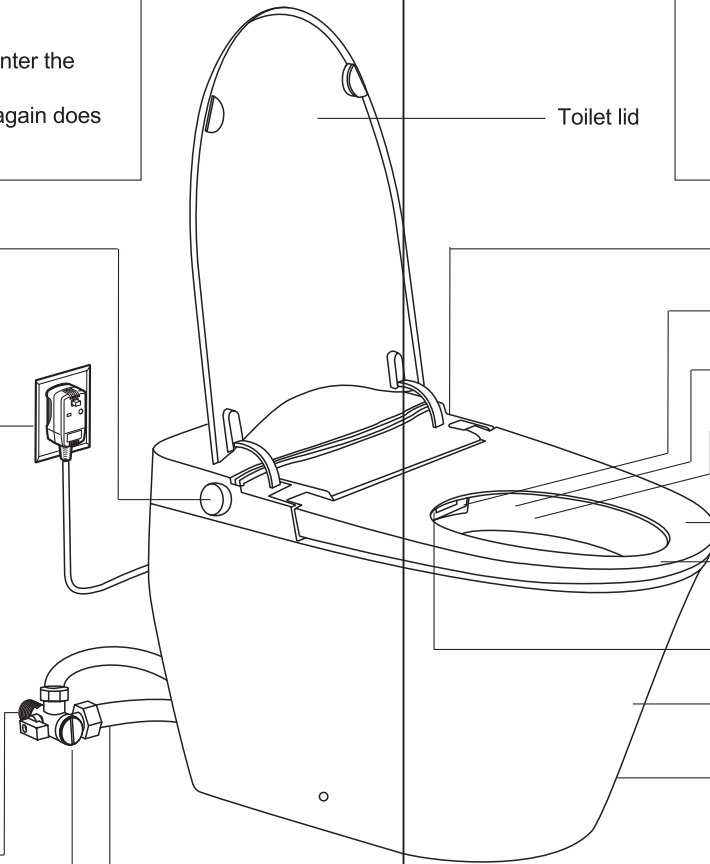
User 1      Child Mode      User 2

Click to initiate children's cleaning mode, and the toilet automatically sets water temperature and water pressure as the lowest setting.

### GFCI plug (With leakage protection)

Tips: Always use the provided GFCI plug for this appliance. Replacing it with a non-GFCI plug is dangerous and voids the warranty.

- The GFCI plug should be tested monthly by pressing the TEST button (then RESET button) every month to assure proper operation.
- Keep the plug dry. Do not handle the GFCI plug with wet hands.
- If the plug or cord is damaged, do not use the appliance. Contact a qualified electrician or the supplier for service.



Toilet lid

Warm air outlet cover

Bowl cleaning

Feminine cleaning

Seat sensor

Heated seat

Night light

Bowl unit

Foot kick

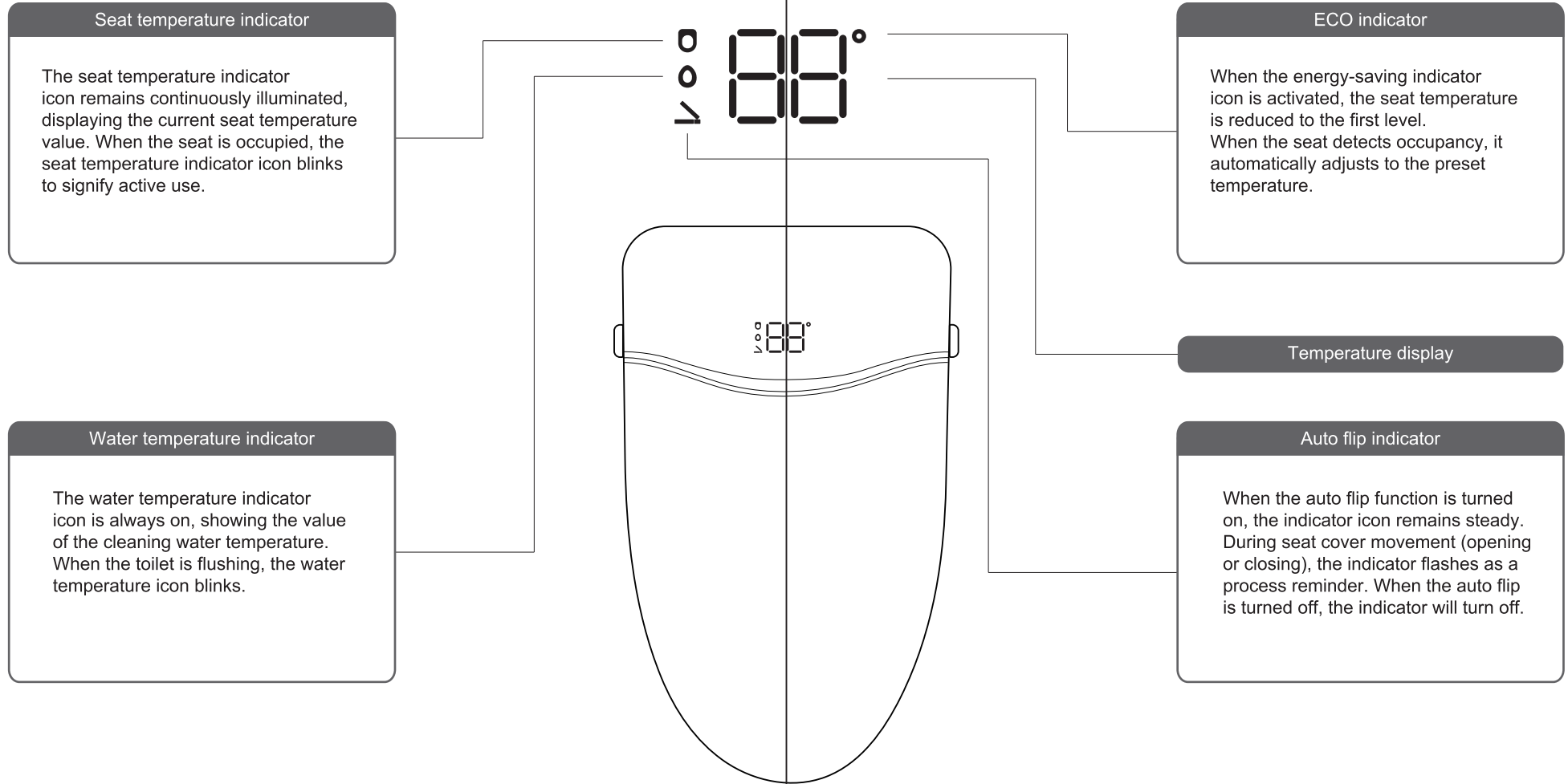
Integrated angle valve

Water filter

Water inlet pipe

※ The appearance and function of different product models will change to some extent, please refer to the actual product.

# Description of indicator light



# Troubleshooting



## Warning

If the problems cannot be solved as per above methods, please shut-off the power, and contact service providers for maintenance.

If the leakage circuit breaker often trips off, it means the products has electricity leakage, so please shut-off the power, and contact service provider for maintenance.

## 1.Main body

PROBLEM	POSSIBLE CAUSE	SOLUTION
The light of power indicator and auxiliary side panel is off	Is there a power outage	Please wait until the power is restored
	Is the power plug properly inserted	Please insert the power plug into the socket
	Is the power switch turned on	Please turn on the power switch

## 2.Bowl cleaning/Feminine cleaning

PROBLEM	POSSIBLE CAUSE	SOLUTION
The cleansing water does not come out	Is there a water cut off	Wait until water service is restored
	Is the water inlet valve closed	Fully open the water inlet valve
	Is the nozzle clogged with foreign matter	Clean the nozzle
	Does the seat sensor respond	Sit down correctly.Reactivate the cleaning function
The cleansing water was cold	Is the warm water temperature set to "OFF" or a low level	Please re-set the water temperature

# Troubleshooting

PROBLEM	POSSIBLE CAUSE	SOLUTION
The cleaning function stops	The preset cleaning time has expired.	Activate the cleaning function again
	Does the seat sensor respond	Sit down correctly.Reactivate the cleaning function
The water flow is lower than usual	Is the water pressure set to a low level	Please re-set the water pressure
	Is the water filter drain valve clogged with foreign matter	Clean the filter

## 3.Warm air drying

PROBLEM	POSSIBLE CAUSE	SOLUTION
The dryer temperature is low	Is the dryer temperature set to"OFF" or a low level	Please re-set the air temperature
Stops in the middle of use	The preset drying time has expired	Activate the drying function again.
	Does the seat sensor respond	Sit down correctly.Reactivate the cleaning function

## 4.Seat temperature

PROBLEM	POSSIBLE CAUSE	SOLUTION
The toilet seat is cold	Is energy saver in operation	You can turn it "OFF" if the energy saver feature is "ON"
	Is the set temperature set to a low level	Please re-set the seat temperature

## 5.Auto flushing

PROBLEM	POSSIBLE CAUSE	SOLUTION
No flushing	Is there a water cut off	Wait until water service is restored
	Is the water inlet valve closed	Fully open the water inlet valve
	Is the valve clogged with foreign matter	Clean the filter
	Are you sited in less than 10 seconds	Please be sit for more than 10 seconds