

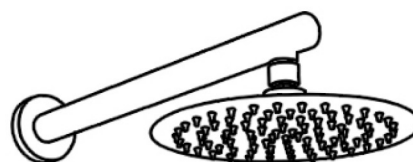


THE ANSWER TO IDEAL LIVING

# PRODUCT INSTALLATION MANUAL

WHEN IT COMES TO HOME, THIS IS THE BEST ANSWER.

# INSTALLATION MANUAL



## Luxury Concealed Shower Set

Style may vary by model, but the installation ways are the same

## **1、 New installations**

### **NOTE!!!**

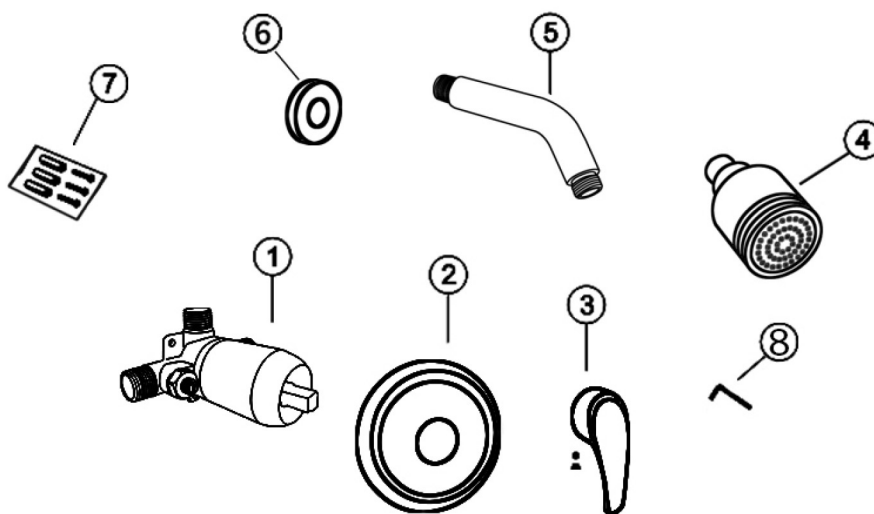
1. Supply lines should be purged to clean impurities before connecting the unit.
2. The hot water supply should be connected to the left and the cold water supply to the right, when viewed from the operating position. If this is not taken into account can cause permanent damage to the cartridge.
3. Screw connections and test for leaks.
4. Using a spirit level on the cams, the mixer align horizontally, vertically and parallel to the wall.
5. Warm reminder:  
In the cold areas or the indoor temperature is less than 39°F in Winter, if no using the faucets for a long time, please turn off the inlet water valve and drain the remaining water inside the supply pipe, which can avoid the faucet damage caused by the expansion of the frozen water.

## **2、 Installation Preparation**

1. Read the instructions carefully before installing.
2. The installation must be performed by a qualified person
3. Installation tools:

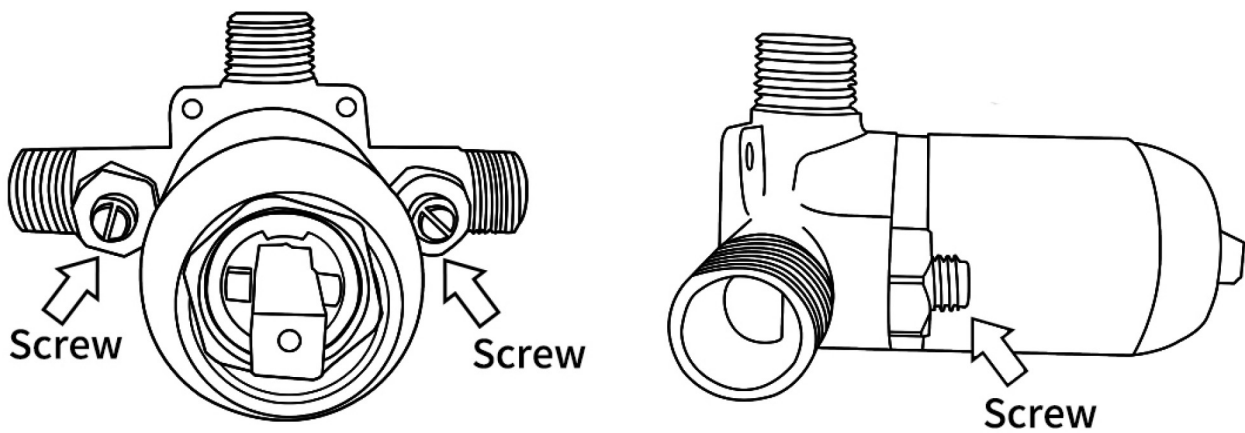


**3、 Accessory list**



No	Description	Qty
1	Pressure balanced valve	1
2	Cover board	1
3	Handle	1
4	Shower head	1
5	Shower arm	1
6	Flange	1
7	Screws bag	1
8	Allen-key	1

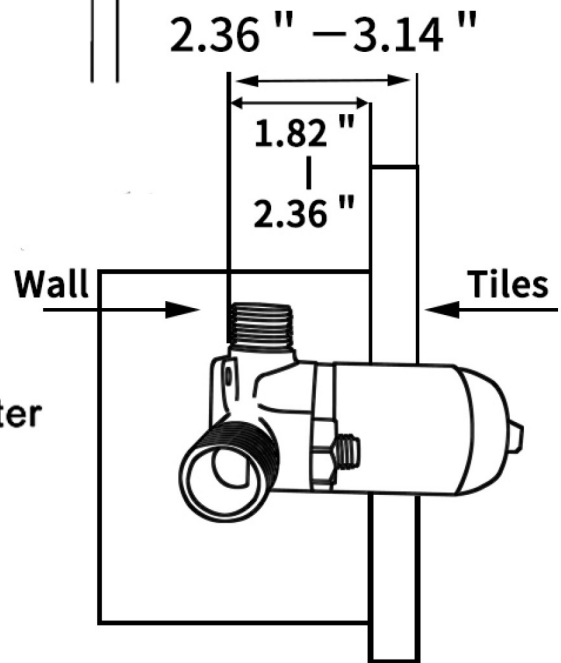
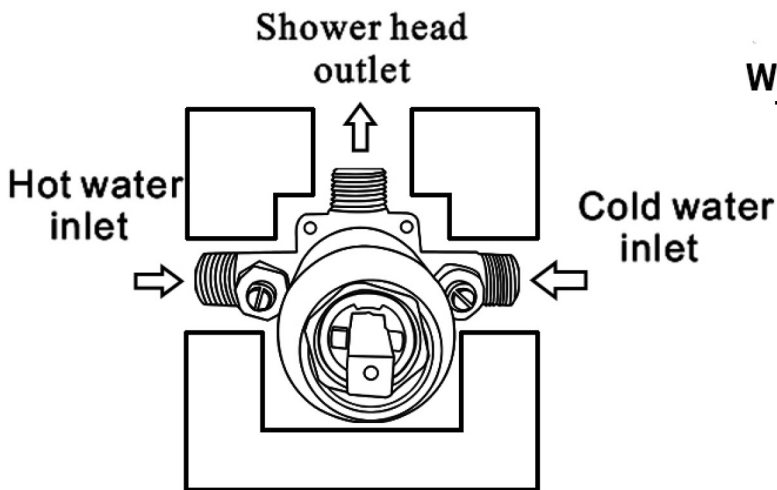
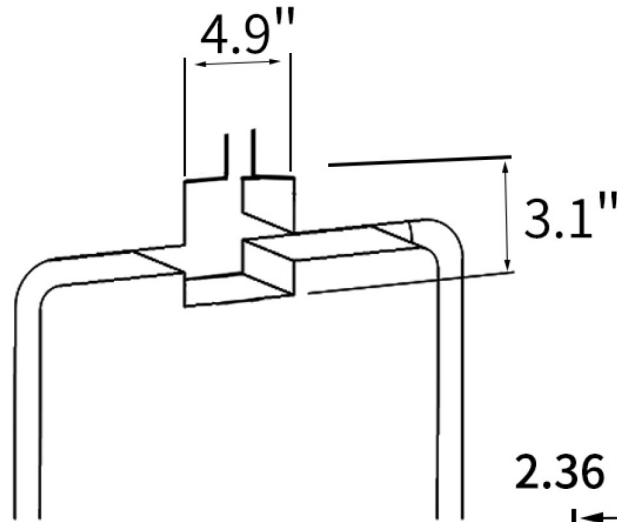
#### 4、 Pressure-balanced valve



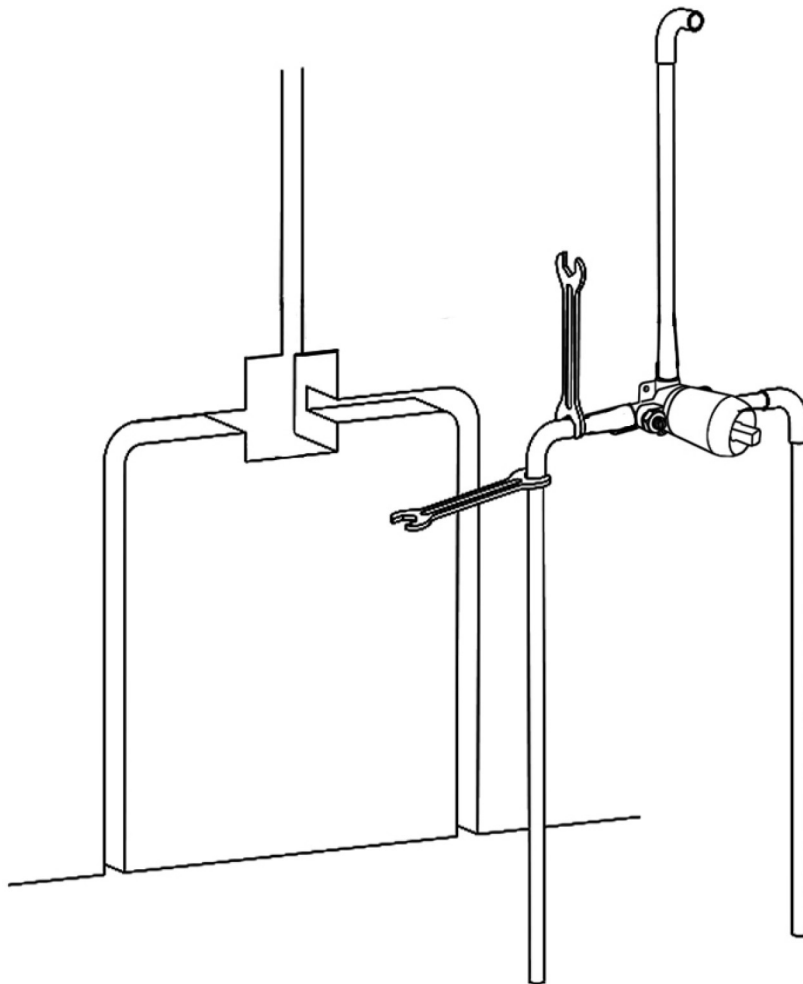
- 1.) The both side screws can be screwed deeper to adjust the water flow
- 2.) When the cartridge need to be change, just screw the screws deepest, so that you do not need to turn off the main switch of your water

**5. Chiseling wall diagram**

Unit:inch



**6、 Pipe-connection diagram**





THE ANSWER TO IDEAL LIVING



**Call us (9-8 EST): +1 888-257-3857**

**Email us (24/5) : [service@casainc.com](mailto:service@casainc.com)**

**Message us : +1 562-551-8092**

**For sales : [dtc@casainc.com](mailto:dtc@casainc.com)**