



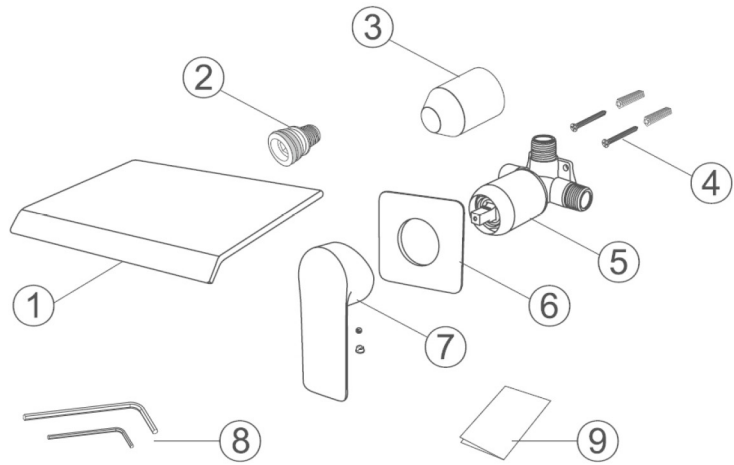
THE ANSWER TO IDEAL LIVING

PRODUCT INSTALLATION MANUAL

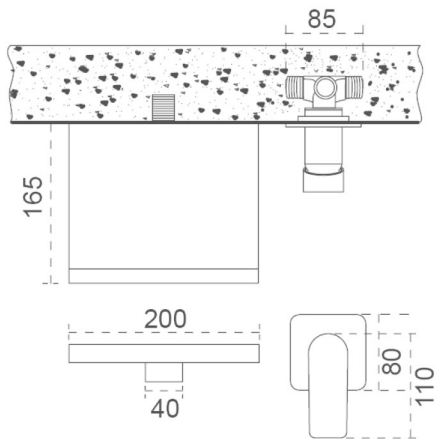
WHEN IT COMES TO HOME, THIS IS THE BEST ANSWER.

Parts list

NO	Part name	Quantity
1	Spout	1
2	Adapter	1
3	Protection cover	1
4	Screws bag	1
5	Shower valve body	1
6	Decorative cover	1
7	Handle	1
8	Allen keys	2
9	Instruction	1

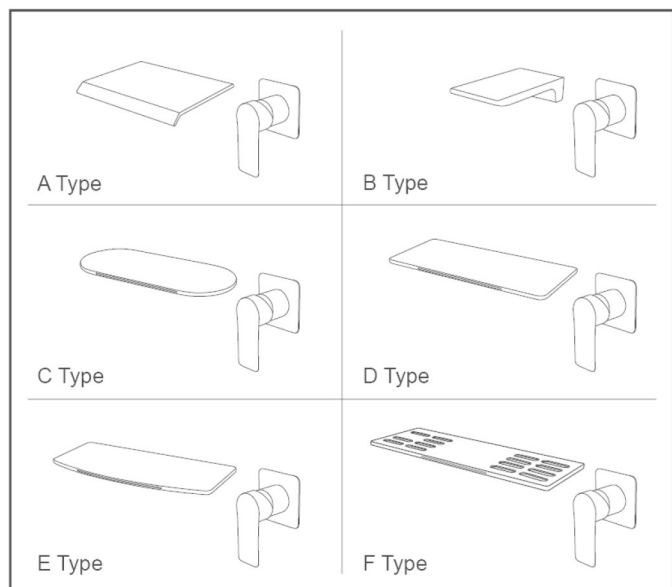


Dimensional drawing



Unit: mm

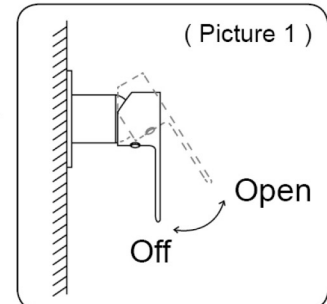
Faucet types



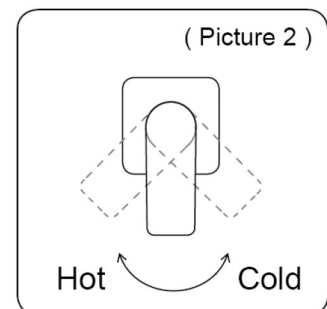
INSTALLATION INSTRUCTIONS

Instructions for use

1. Turn on the faucet as picture 1 shows. The greater the handle angle, the greater the water flow; Conversely, the smaller the handle angle, the smaller the water flow, until it is closed.



2. Turn on the faucet. Adjust handle to left to get more hot water; Adjust handle to right to get more cold water. Shown as picture 2.



Cautions:

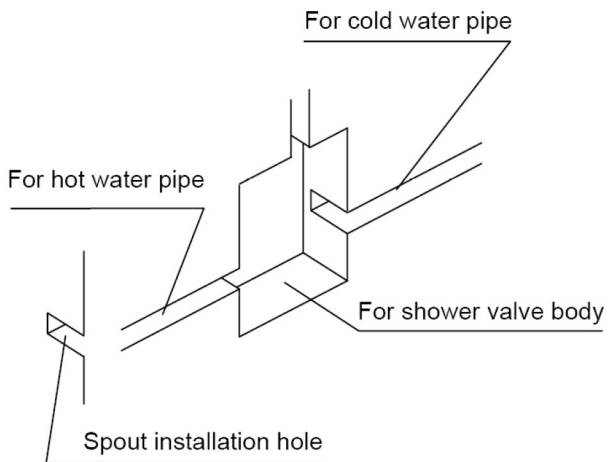
1. Before installation, all water lines must be flushed at least 60 seconds to remove any foreign material so that the foreign material will not block the aerator or damage the cartridge.
2. After installation, please check if all connections were well installed, and make sure there are no leakage.
3. Use water and soft cloth to clean the faucet.
4. Use a mild liquid detergent for cleaning, do not use abrasive detergent that may scratch or dull the surface.



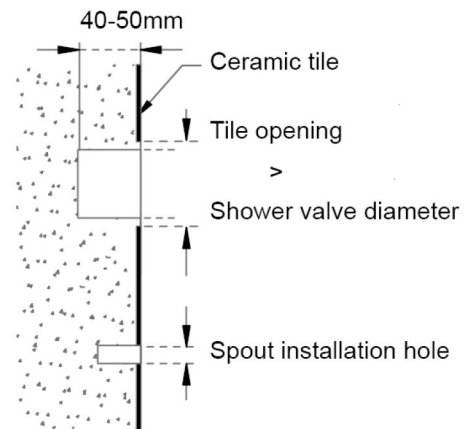
Warning:

You can seal the wall only when there are no any leakage after install the shower valve body and water pipe.

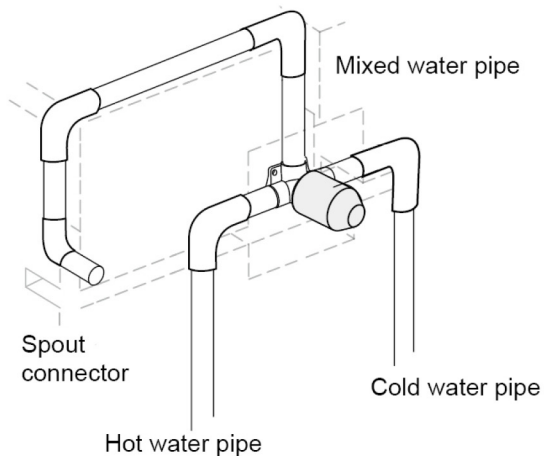
1. Use special tools to chisel holes on wall for installing spout, shower valve body and water pipe.



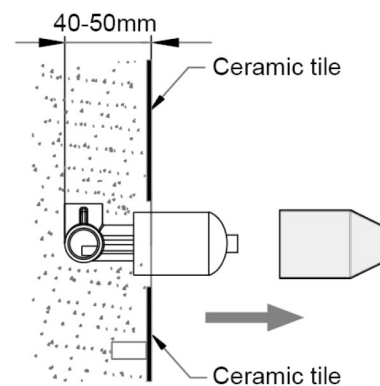
2. Recommended depth for installing shower valve body before tiling tiles: 40-50mm. Note: Tile opening should be bigger than shower valve diameter at least 5 mm.



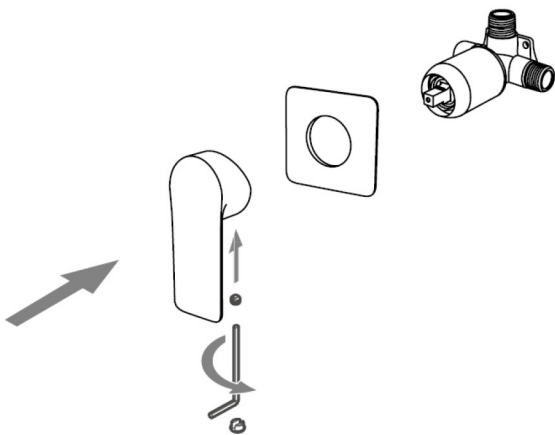
3. Connect water pipes to shower valve body as picture shows. And then install the shower valve body with screws.



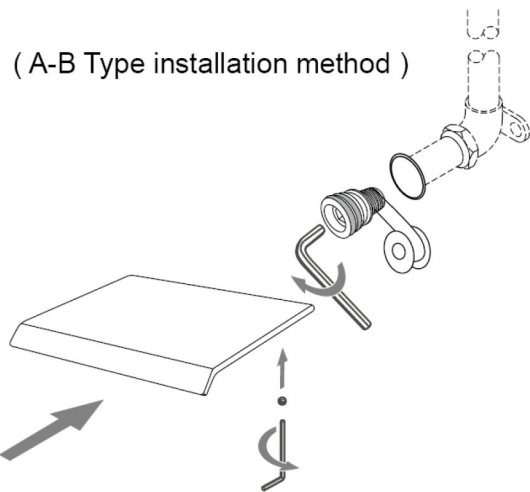
4. Switch on/off the cartridge, check all connectors without any leakage. And then seal the wall and take off protection cover.



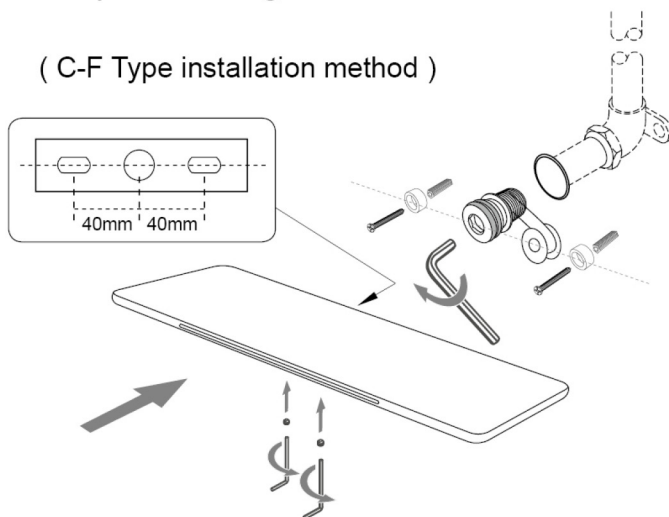
5. Put decorative cover on the shower valve, and tighten the handle as picture shows.



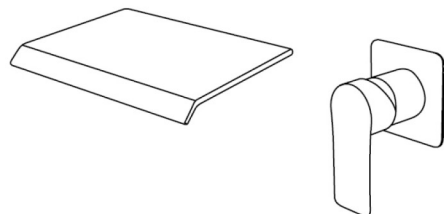
6.(1) Twist some Teflon tape on the adapter and screw it to the water pipe with big Allen key. Inset spout to the adapter then tighten it with screws.



6.(2) Twist some Teflon tape on the adapter and screw it to the water pipe with big Allen key. Install the two fixed joints on both sides of the adapter as picture shows. Inset spout to the adapter then tighten it with screws.



7. Installation finished. Clean the faucet with clean water and soft cloth.





THE ANSWER TO IDEAL LIVING



Call us (9-8 EST): +1 888-257-3857

Email us (24/5) : service@casainc.com

Message us : +1 562-551-8092

For sales : dtc@casainc.com