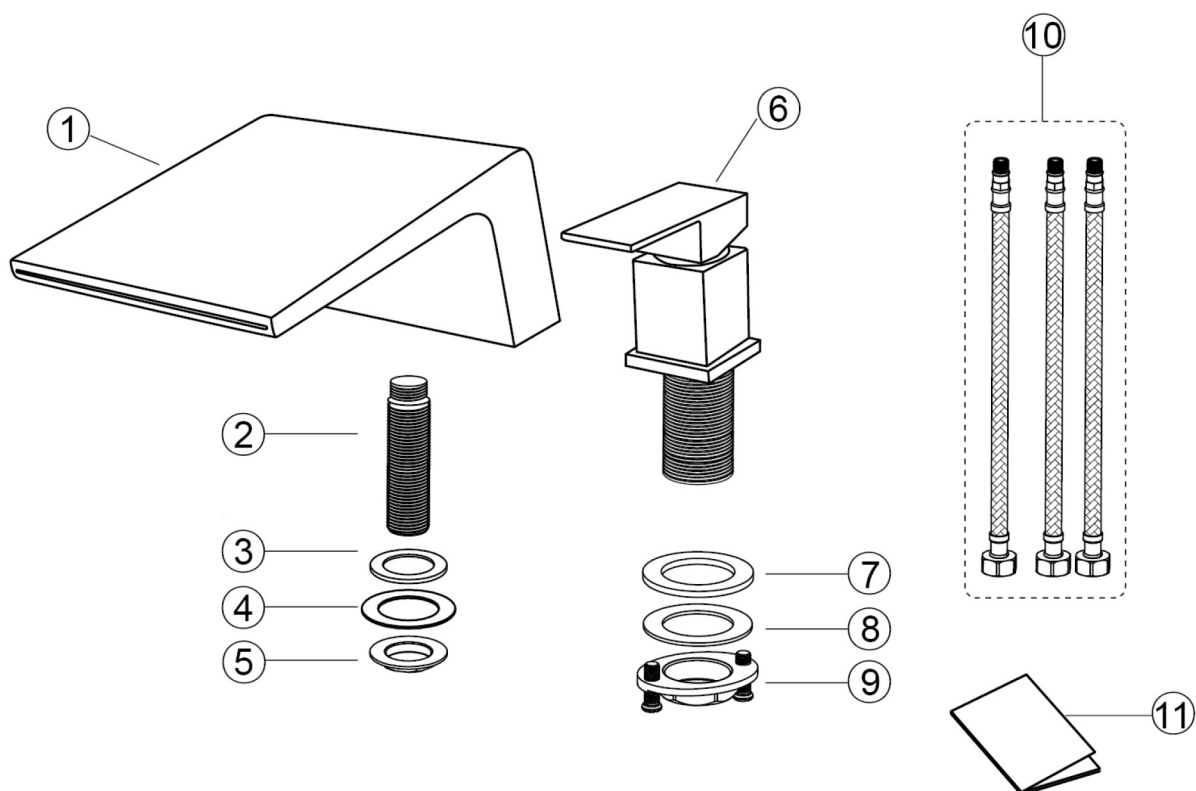




THE ANSWER TO IDEAL LIVING

PRODUCT INSTALLATION MANUAL

WHEN IT COMES TO HOME, THIS IS THE BEST ANSWER.

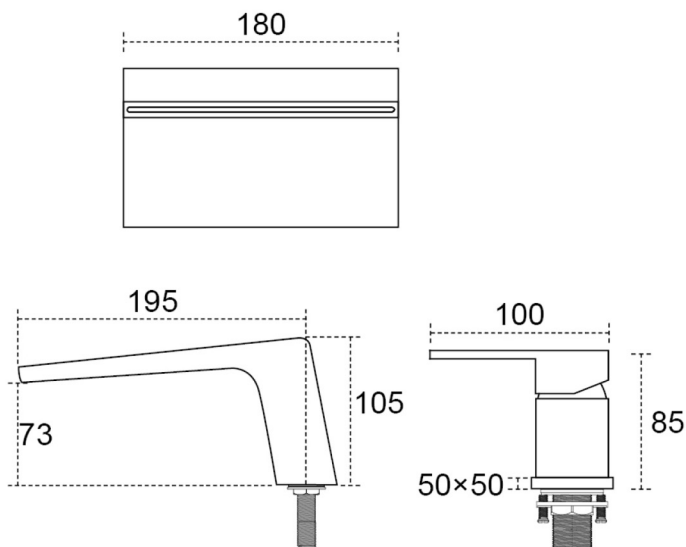


Parts list

NO	NAME	QTY	NO	NAME	QTY
①	Spout	1	⑦	Plastic Washer B	1
②	Thread Pipe	1	⑧	Metal Washer B	1
③	Plastic Washer A	1	⑨	Locking Nut B	1
④	Metal Washer A	1	⑩	Water Supply Lines	3
⑤	Locking Nut A	1	⑪	Installation Instructions	1
⑥	Handle Part	1			

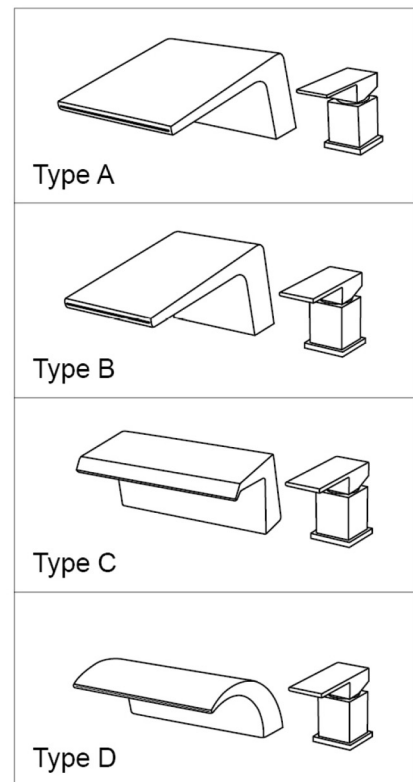
INSTALLATION INSTRUCTIONS

Dimensional drawing



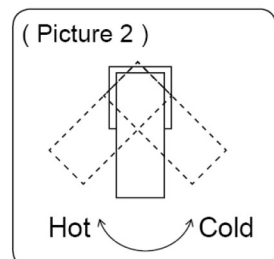
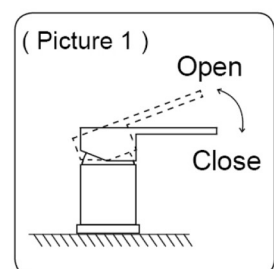
Unit: mm

Faucet types



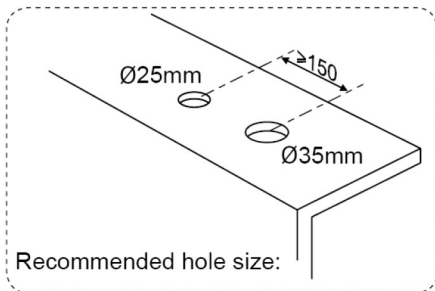
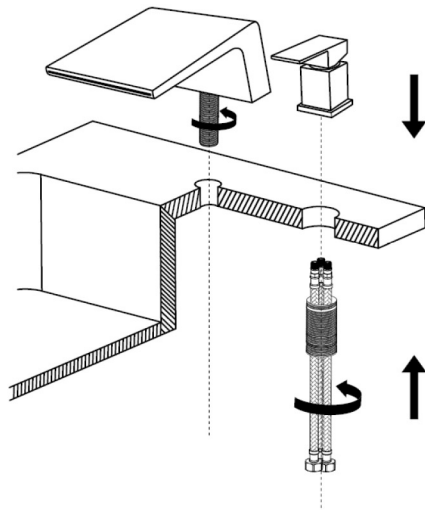
Instructions for use

1. Turn on the faucet as picture 1 shows. The greater the handle angle, the greater the water flow; Conversely, the smaller the handle angle, the smaller the water flow, until it is closed.
2. Turn on the faucet. Adjust handle to left to get more hot water; Adjust handle to right to get more cold water. Shown as picture 2.



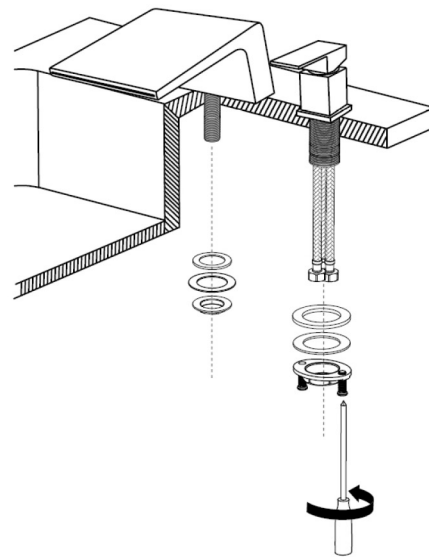
Installation Steps

1



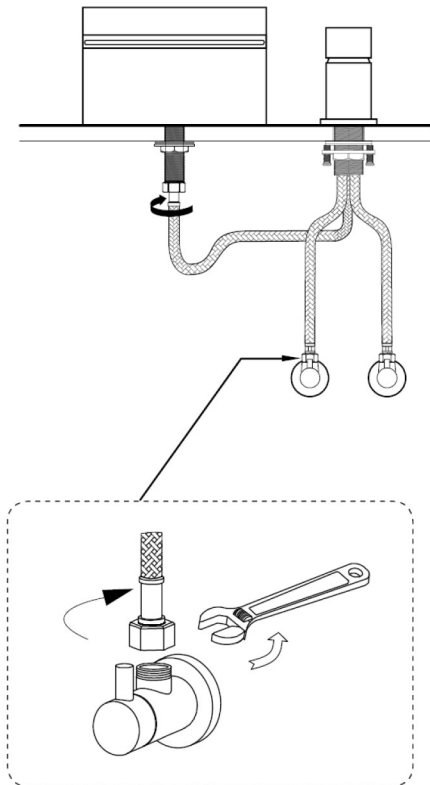
Screw thread pipe to the spout and hand tighten it then place spout into sink hole; Unscrew thread pipe from handle part, put water supply lines across thread pipe then connect the lines and thread pipe to handle part and hand tighten them as picture 1 (Don't use wrench in case of thread damage!)
Note: Red line on left, blue line on right, mixer water line on center.

2



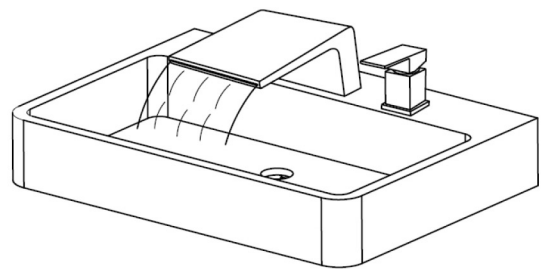
Screw plastic washers, metal washers and locking nut to the spout and handle part then hand tighten them; Use screwdriver to tighten the screws on Locking Nut B as picture 2.

3



Connect the other side of red and blue water supply lines to the correct angle valves and use wrench to tighten them; Connect the other side of mixer water supply line to the spout and hand tight it (Don't use wrench in case of thread damage!)

4



Installation finished; Turn on faucet, check all connections for leakage; Re-tighten them if necessary.



Call us (9-8 EST): +1 888-257-3857
Email us (24/5) : service@casainc.com

Message us : +1 562-551-8092
For sales : dtc@casainc.com