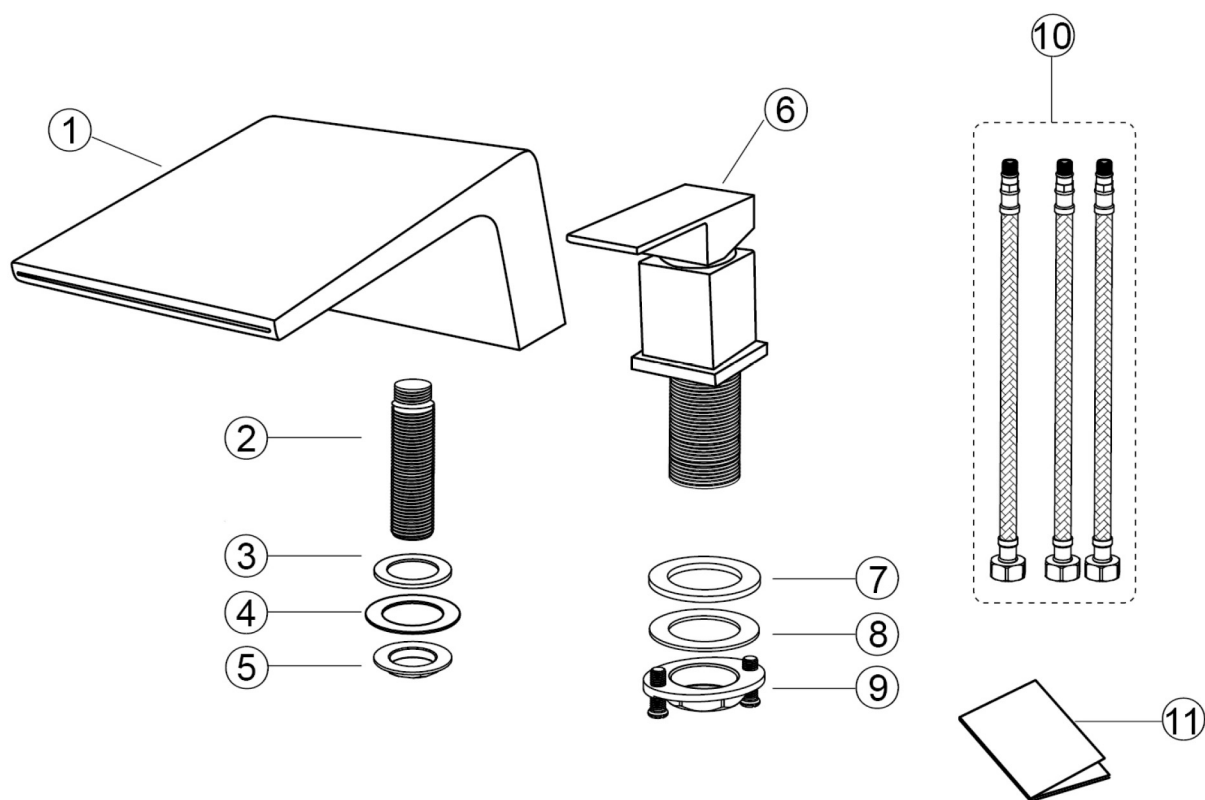




THE ANSWER TO IDEAL LIVING

PRODUCT INSTALLATION MANUAL

WHEN IT COMES TO HOME, THIS IS THE BEST ANSWER.

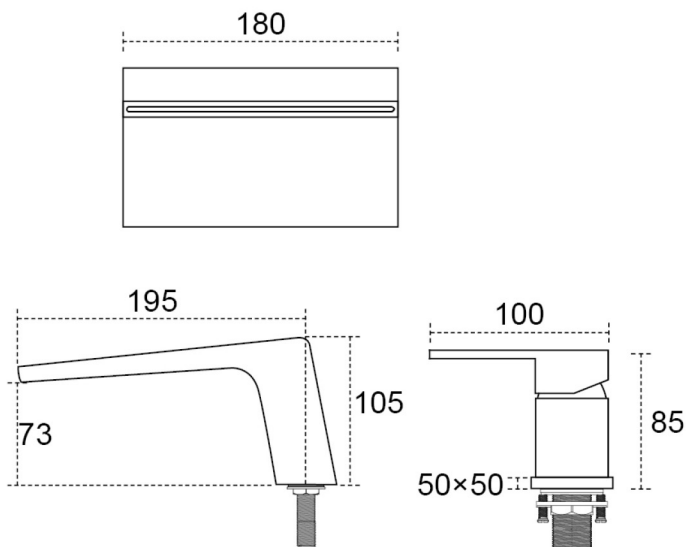


Parts list

NO	NAME	QTY	NO	NAME	QTY
①	Spout	1	⑦	Plastic Washer B	1
②	Thread Pipe	1	⑧	Metal Washer B	1
③	Plastic Washer A	1	⑨	Locking Nut B	1
④	Metal Washer A	1	⑩	Water Supply Lines	3
⑤	Locking Nut A	1	⑪	Installation Instructions	1
⑥	Handle Part	1			

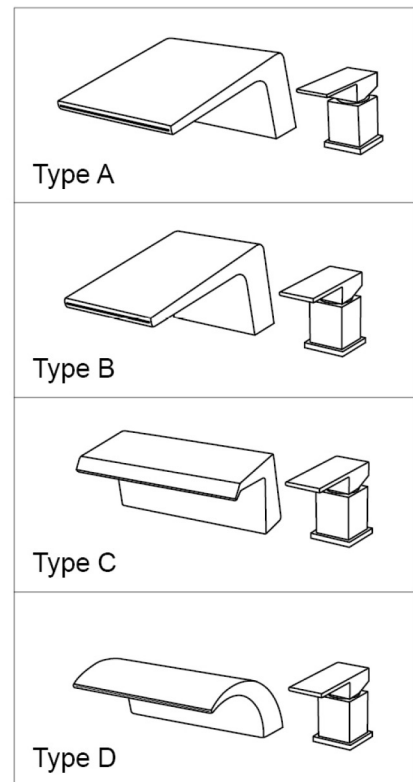
INSTALLATION INSTRUCTIONS

Dimensional drawing



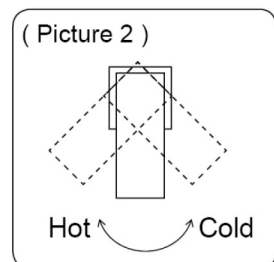
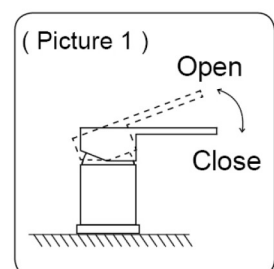
Unit: mm

Faucet types



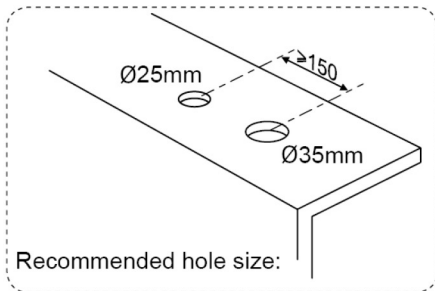
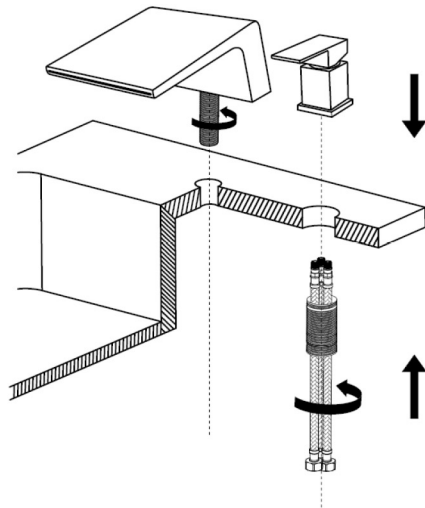
Instructions for use

1. Turn on the faucet as picture 1 shows. The greater the handle angle, the greater the water flow; Conversely, the smaller the handle angle, the smaller the water flow, until it is closed.
2. Turn on the faucet. Adjust handle to left to get more hot water; Adjust handle to right to get more cold water. Showed as picture 2.



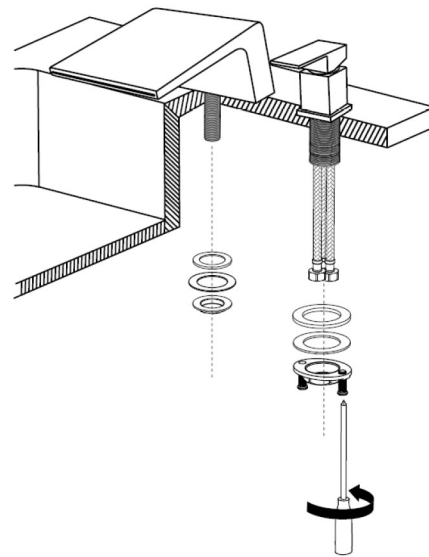
Installation Steps

1



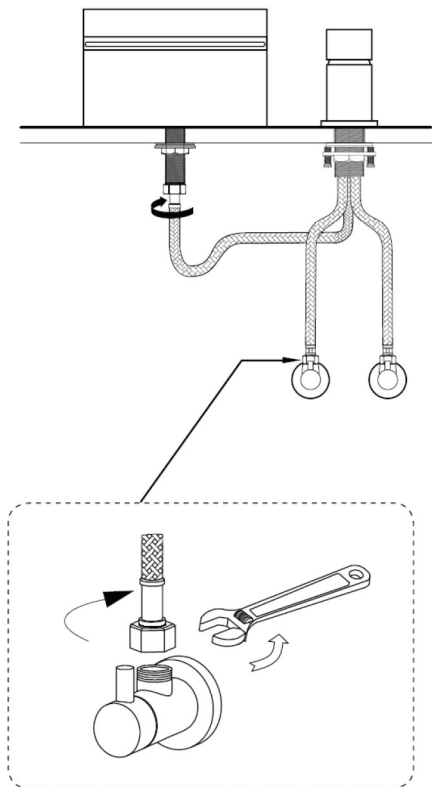
Screw thread pipe to the spout and hand tighten it then place spout into sink hole; Unscrew thread pipe from handle part, put water supply lines across thread pipe then connect the lines and thread pipe to handle part and hand tighten them as picture1 (Don't use wrench in case of thread damage!)
Note: Red line on left, blue line on right, mixer water line on center.

2



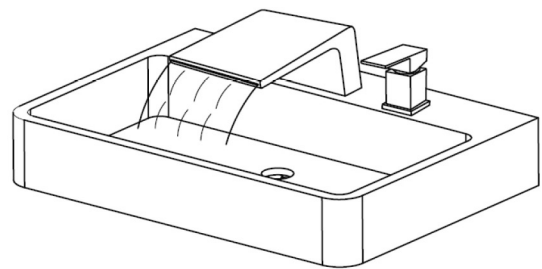
Screw plastic washers, metal washers and locking nut to the spout and handle part then hand tighten them; Use screwdriver to tighten the screws on Locking Nut B as picture2.

3



Connect the other side of red and blue water supply lines to the correct angle valves and use wrench to tighten them; Connect the other side of mixer water supply line to the spout and hand tight it (Don't use wrench in case of thread damage!)

4



Installation finished; Turn on faucet, check all connections for leakage; Re-tighten them if necessary.



Call us (9-8 EST): +1 888-257-3857
Email us (24/5) : service@casainc.com

Message us : +1 562-551-8092
For sales : dtc@casainc.com