



THE ANSWER TO IDEAL LIVING

PRODUCT INSTALLATION MANUAL

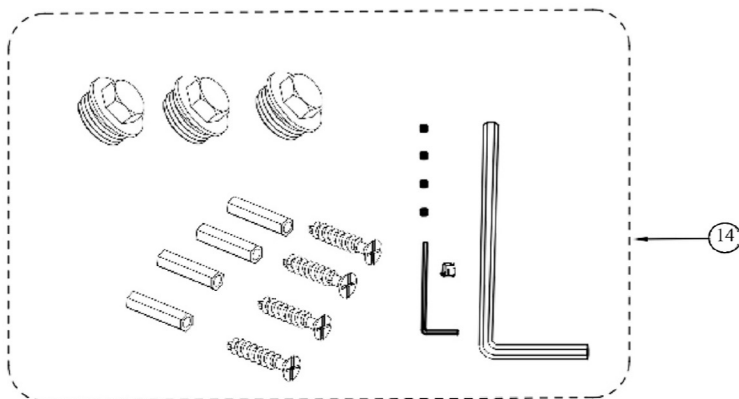
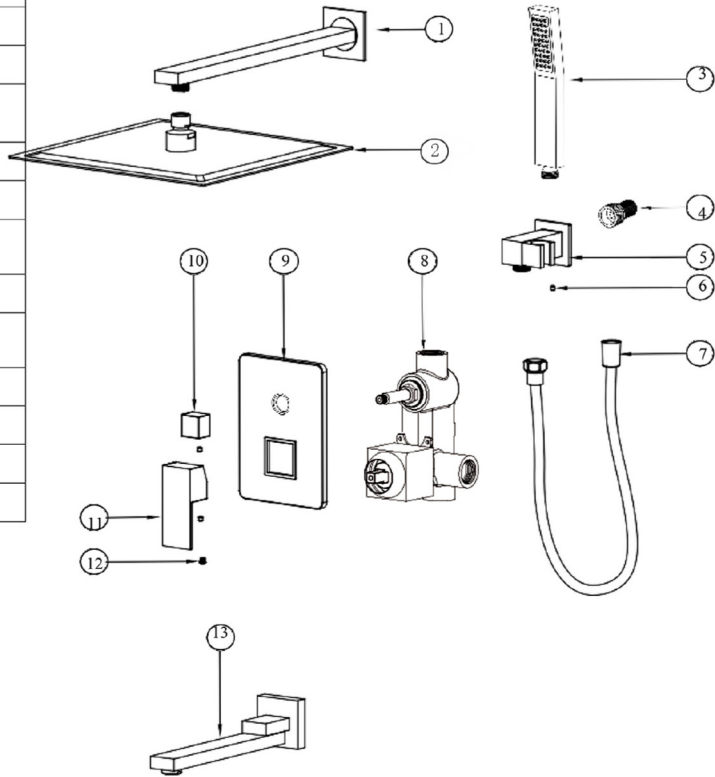
WHEN IT COMES TO HOME, THIS IS THE BEST ANSWER.

User's Manual



BEFORE INSTALLTION

No.	Items	Qty
1	Upper outlet pipe	1
2	Top shower head	1
3	Hand-held shower head	1
4	Water inlet connection	1
5	Stand for hand shower head	1
6	Hexagon socket screw	4
7	Shower hose	1
8	Main body	1
9	Panel	1
10	Water diversion handwheel	1
11	Handle	1
12	Decorative button	1
13	Lower outlet pipe	1
14	Accessory bag	1



Check accessories

Standard List of Accessories:

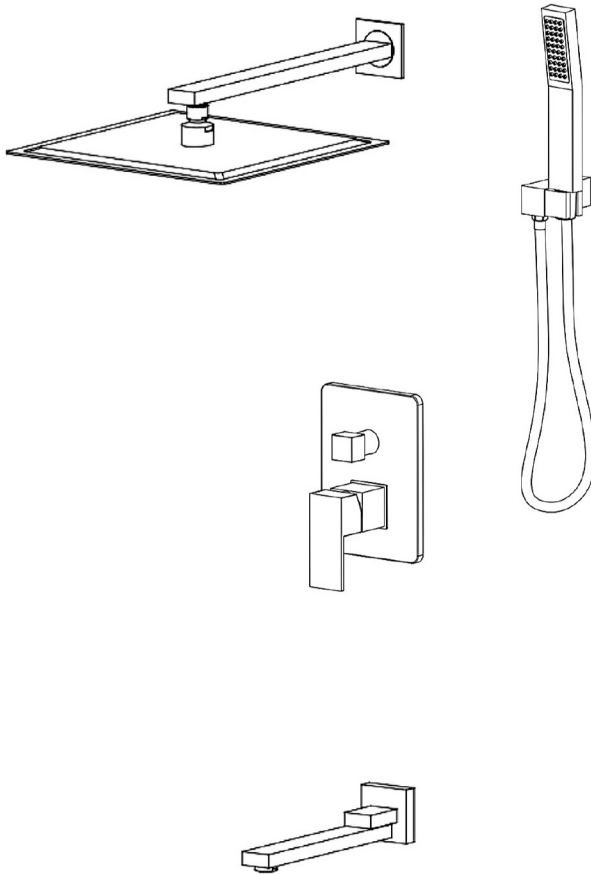
When you open the product packaging, please check whether the objects in it are consistent with the main body and accessories you purchased. If there is any inconsistency, please contact our company or our distributor.

Note: 1. Accessories are subject to change without prior notice if the change does not affect usage;

2. The appearance of the product is subject to the physical objects you receive, and the schematic diagram is only for reference.

INSTALLATION INSTUCTIONS

Installation Instructions For Wall Faucet



IAPMO RESEARCH AND TESTING, INC.
5001 East Philadelphia Street, Ontario, California 91761-3816 • (909) 472-4100 Fax (909) 472-4344 • www.iapmo.org



CERTIFICATE OF LISTING

IAPMO Research and Testing, Inc. is pleased to certify that the plumbing supply fittings shown on this listing's mark as have been tested and certified to meet the requirements of applicable codes and standards. This listing is subject to periodic re-evaluation and testing by IAPMO Research and Testing, Inc. to ensure continued compliance with applicable codes and standards. The listing is subject to periodic re-evaluation and testing by IAPMO Research and Testing, Inc. to ensure continued compliance with applicable codes and standards. The listing is subject to periodic re-evaluation and testing by IAPMO Research and Testing, Inc. to ensure continued compliance with applicable codes and standards.

The most updated information on this Certificate of Listing is available online at plb.iapmo.org

Effective Date: August 2013 Void After: August 2014

Product: Plumbing Fixture Fittings File No. 4337

Issued To: Kalinge Water Cartridge Co., Ltd.
No. 20 Huihua Road Road,
Shanghai 20000,
Shanghai City, CHINA

Identification: Plumbing supply fittings complying with this Standard shall be marked with the manufacturer's recognized name, trademark, or other mark or, in the case of private labeling, the name, trademark or other mark of the customer for whom the fitting was manufactured. The marking shall be accomplished by use of a permanent mark or by placing a permanent label on the product. Markings on plumbing supply fittings shall be visible after installation.

Single-handle, single-control, and automatic temperature control valves and shower valves shall have (and if applicable temperature control) settings in which the settings are indicated by words ("cold", "warm", "hot", etc.), by numbers, or graphically.

Products shall be marked with the manufacturer's name, trademark, or other mark as well as the model number or, in the case of private labeling, the name, trademark, or mark of the customer for whom the fitting was manufactured as well as the model number.

David Mackay *Ron Choney*
Chairman, Product Certification Council CEO, The IAPMO Group



This listing period is dependent on the test data of the product included on the listing. IAPMO will not issue a new listing unless the product is re-tested. Any change in material, manufacturing process, marking or design without being first approved by IAPMO Research and Testing, Inc. may void the listing. IAPMO Research and Testing, Inc. reserves the right to discontinue or suspend the listing of any product at any time without notice. IAPMO Research and Testing, Inc. reserves the right to discontinue or suspend the listing of any product at any time without notice. IAPMO Research and Testing, Inc. reserves the right to discontinue or suspend the listing of any product at any time without notice.

IAPMO RESEARCH AND TESTING, INC.
5001 East Philadelphia Street, Ontario, California 91761-3816 • (909) 472-4100 Fax (909) 472-4344 • www.iapmo.org



CERTIFICATE OF LISTING

IAPMO Research and Testing, Inc. is pleased to certify that the plumbing supply fittings shown on this listing's mark as have been tested and certified to meet the requirements of applicable codes and standards. This listing is subject to periodic re-evaluation and testing by IAPMO Research and Testing, Inc. to ensure continued compliance with applicable codes and standards. The listing is subject to periodic re-evaluation and testing by IAPMO Research and Testing, Inc. to ensure continued compliance with applicable codes and standards. The listing is subject to periodic re-evaluation and testing by IAPMO Research and Testing, Inc. to ensure continued compliance with applicable codes and standards.

The most updated information on this Certificate of Listing is available online at plb.iapmo.org

Effective Date: October 2016 Rev. 11/29/2016 Void After: October 2017

Product: Flexible Water Connectors File No. 4555

Issued To: Tubcon Plumbing Fittings & Parts Co., Ltd.
Ruhang Industry Zone
Tubcon County
Shanghai 311600,
China


Identification: Manufacturer's name or trademark and cUPC certification mark. Special note as label "Use with water in exposed locations only."

Characteristics: Flexible water connectors manufactured in various sizes, lengths and metal are fittings for hot or cold water applications that consist of an inner tube, which may or may not have an outer braided cover. Connectors are to be installed for use in accessible locations only and in accordance with the manufacturer's instructions, and the latest edition of the Uniform Plumbing Code.

Products listed on this certificate have been tested by an IAPMO R&T recognized laboratory. This recognition has been granted based upon the laboratory's compliance to the applicable requirements of ISO/IEC 17025.

Products are in compliance with the following code(s):
Uniform Plumbing Code (UPC)

David Mackay *Ron Choney*
Chairman, Product Certification Council CEO, The IAPMO Group



This listing period is dependent on the test data of the product included on the listing. IAPMO will not issue a new listing unless the product is re-tested. Any change in material, manufacturing process, marking or design without being first approved by IAPMO Research and Testing, Inc. may void the listing. IAPMO Research and Testing, Inc. reserves the right to discontinue or suspend the listing of any product at any time without notice. IAPMO Research and Testing, Inc. reserves the right to discontinue or suspend the listing of any product at any time without notice. IAPMO Research and Testing, Inc. reserves the right to discontinue or suspend the listing of any product at any time without notice.

IAPMO RESEARCH AND TESTING, INC.
5001 East Philadelphia Street, Ontario, California 91761-3816 • USA • (909) 472-4100 • (909) 472-4344 • www.iapmo.org



CERTIFICATE OF LISTING

IAPMO Research and Testing, Inc. is pleased to certify that the plumbing supply fittings shown on this listing's mark as have been tested and certified to meet the requirements of applicable codes and standards. This listing is subject to periodic re-evaluation and testing by IAPMO Research and Testing, Inc. to ensure continued compliance with applicable codes and standards. The listing is subject to periodic re-evaluation and testing by IAPMO Research and Testing, Inc. to ensure continued compliance with applicable codes and standards. The listing is subject to periodic re-evaluation and testing by IAPMO Research and Testing, Inc. to ensure continued compliance with applicable codes and standards.

The most updated information on this Certificate of Listing is available online at plb.iapmo.org

Effective Date: November 2016 Rev. 3/1/2017 Void After: November 2017

Product: Plumbing Fixture Fittings File No. 4523

Issued To: Hoperl Inc.
375 Gattafuso Heights
Waterbury, CT 06705

Identification: Each fitting component shall bear permanent legible markings to identify the manufacturer. This marking shall be the trade name, trademark, or other mark known to identify the manufacturer. The product shall also bear all other markings required by the standard. The marking shall be located where it can be readily seen after installation is complete. The product or packaging shall also bear the cUPC certification mark.

Characteristics: Plumbing fixture fitting components to be installed in accordance with the manufacturer's instructions and the requirements of the latest edition of the Uniform Plumbing Code.

Products listed on this certificate have been tested by an IAPMO R&T recognized laboratory. This recognition has been granted based upon the laboratory's compliance to the applicable requirements of ISO/IEC 17025.

Products are in compliance with the following code(s):
Uniform Plumbing Code (UPC)
National Plumbing Code of Canada

Tom Collins *Ron Choney*
CEO, IAPMO Research and Testing, Inc. CEO, The IAPMO Group



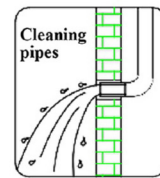
This listing period is dependent on the test data of the product included on the listing. IAPMO will not issue a new listing unless the product is re-tested. Any change in material, manufacturing process, marking or design without being first approved by IAPMO Research and Testing, Inc. may void the listing. IAPMO Research and Testing, Inc. reserves the right to discontinue or suspend the listing of any product at any time without notice. IAPMO Research and Testing, Inc. reserves the right to discontinue or suspend the listing of any product at any time without notice. IAPMO Research and Testing, Inc. reserves the right to discontinue or suspend the listing of any product at any time without notice.

INSTALL THE SHOWER

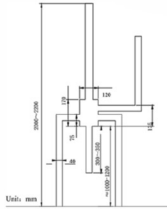
This product has been inspected and debugged by the factory to the best condition. Please do not disassemble and assemble it yourself.



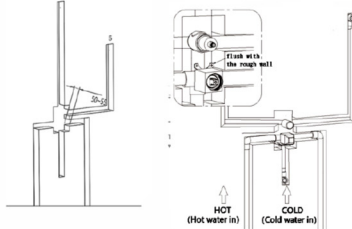
Before installing the faucet, please be sure to remove sundries and sludge from the water pipe to prevent sundries from blocking the faucet.



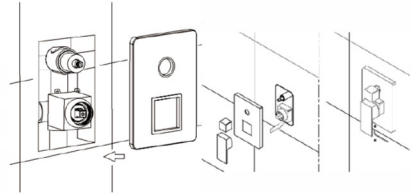
1. Dig pipe grooves for pre-burying pipes.



2. Install the main body, water inlet and other pipes.

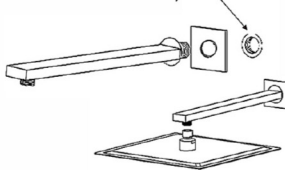


3. Fix ceramic tiles, cut off the edges of the embedded boxes, remove the protective cover and install the panel.



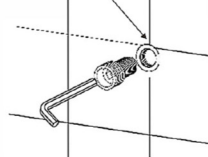
4. Install upper outlet pipe and top shower head.
(wrap the PTFE tape on thread)

(embed the thread flush with the tile surface)

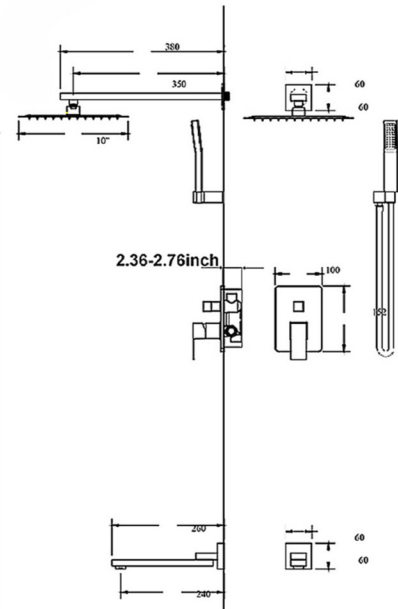
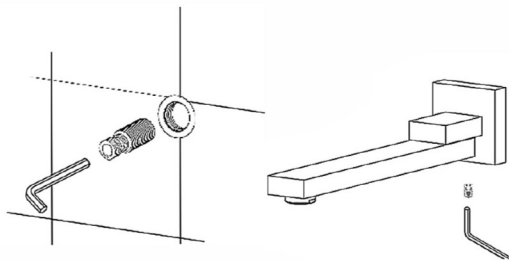


5. Install the stand for hand-held shower head
(wrap the PTFE tape on thread)

(embed the thread flush with the tile surface)



6. Install lower water outlet.
(wrap the PTFE tape on the thread)



CLEANING CARE

In order to keep the appearance of faucet clean, bright and good performance, please take care of the faucet as follows;

1. Rinse with water only and dry with soft cotton cloth;
2. Use mild liquid and colorless glass cleaner to remove surface dirt and scale film, or use polish without abrasive effect;
3. Do not use abrasive detergent, polish, emery cloth, paper towel or scraper, etc.;
4. Do not use acid cleaner, or cleaner and soap with insoluble gran etc.;
5. In the process of use, mud may accumulate in the bubbler and make the water flow show, The bubbler can be unscrewed, rinsed with water, and then installed back in place.







Call us (9-8 EST): +1 888-257-3857
Email us (24/5) : service@casainc.com

Message us : +1 562-551-8092
For sales : dtc@casainc.com