

# Specifications

## DESCRIPTION

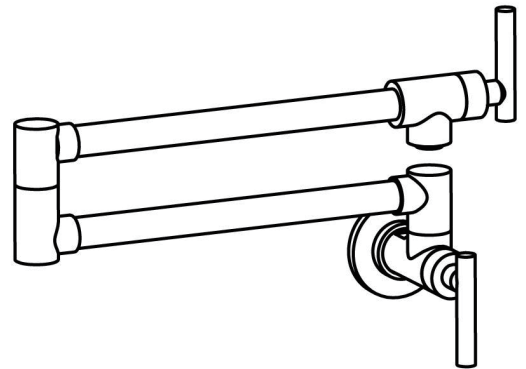
- Brass construction
- Thread: NPT1/2

## FLOW

- Water usage is limited to these maximum flow rates
- as indicated by the corresponding product markings  
North America: **1.8 gpm max@60psi**

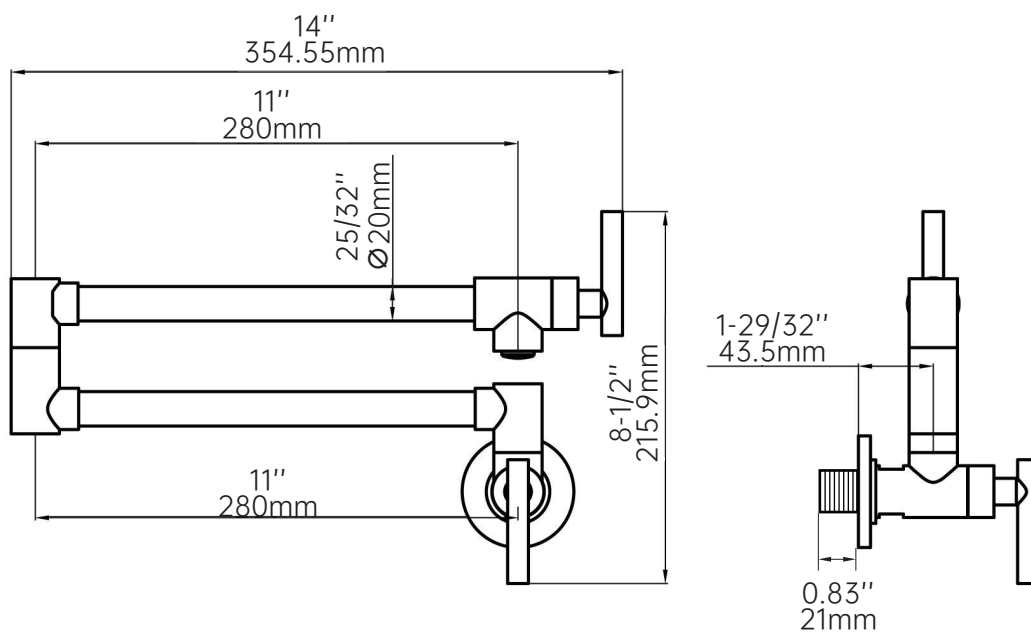
## CARTRIDGE

- Brass cartridge



## KITCHEN FAUCET

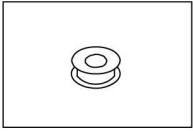
**NOTE:** This faucet is designed to be installed thru 1 hole,  $\text{Ø} 1\text{-}3/8''$  min.



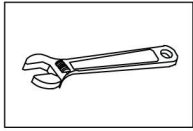
## CRITICAL DIMENSIONS

# Kitchen Faucet Installation

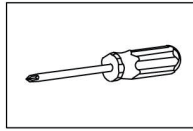
## INSTALLATION MANUAL Tools You Will Need :



Pipe Tape



Adjustable Wrench



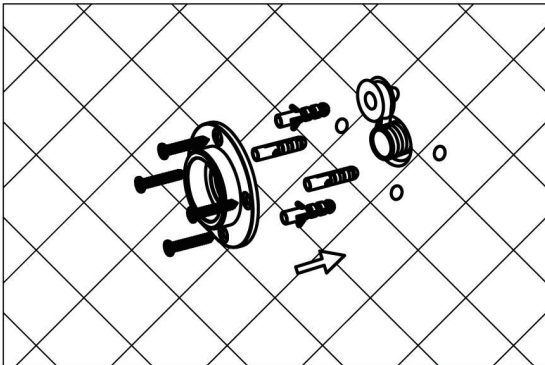
Philips Screwdriver

### Notes before installation :

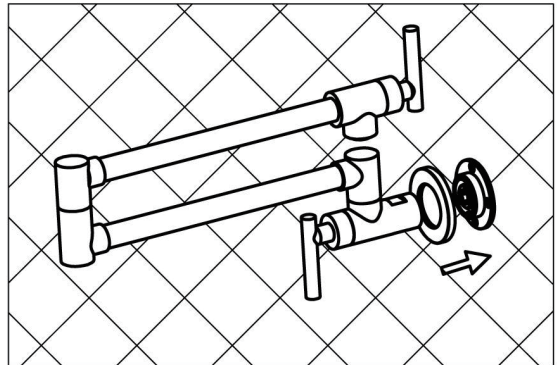
1. Please check that all components are present.
2. Before installation ensure that all feed lines are clear of debris and on/off valve is present.
3. Ensure water pressure is between 20-125 PSI (includes combination of hot and cold feed lines).
4. Pictures in the manual are general in content and may not represent exactly your purchased faucet. If you are having difficulties please contact a professional plumber.
5. If you will be away from home for an extended period you should shut off the main water supply.

### Daily maintenance

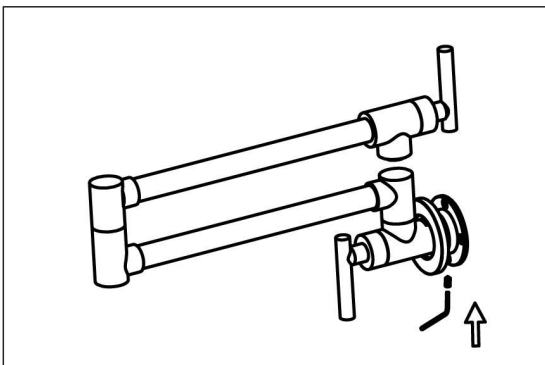
1. Use a soft cloth and vinegar to remove hard-water spots.
2. Check aerator (if present) regularly for calcium build up are when water stream is not optimum.
3. DO NOT use caustic cleaning products as the use will break down finish and will void the product warranty.
4. Acceptable cleaners include vinegar or mild non-abrasive liquid detergents.
5. If the water pressure appears to be less than optimum remove, inspect, clean or replace aerator.



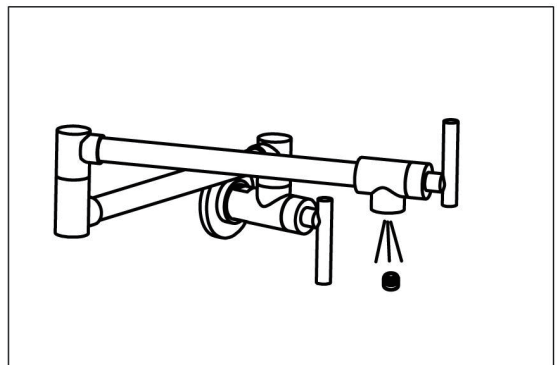
1. Wrap the thread on the pipe with the plumber's tape, then fix the pipe inside the wall. Fix the expansion screws into the wall and fasten the base onto the wall.



2. Hang the cover on the body, then install the faucet into the wall and tighten.



3. Fix the small set screw in the base and fasten the tap and the connecting pipe. Then adjust the cover to the base.



4. Remove the aerator, turn on the water and flush the faucet to check for leaks. If ok, then turn off the water and reinstall the aerator.