

# **THERMOSTATIC SHOWER Series INSTALLATION GUIDE**

**B-10.2**



6277



6278



6076



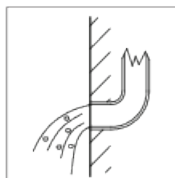
6279

## CONTENT

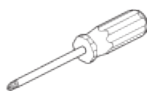
1. Installation Condition .....	1
2.3 Functions Thermostatic Shower Faucet Set (Model:6277&6278) .....	2
3. Thermostatic 4 Functions Luxury Shower Faucet (Model:6076) .....	7
4. Thermostatic 4 Functions Luxury Shower Faucet (Model:6279) .....	14
5. Body Jets Installation .....	20
6. Lifting Rod Installation .....	21
7. Clean and Maintenance .....	22

## ◆ Installation Condition

1. Check the Accessories List to verify that all parts are complete in this package.
2. Do not disassemble the main body by yourself.
3. Connect inlet pipes to supply valves.
4. Make sure inlet pipes and supply valves have been installed and cleaned, with no impurities in the pipeline.
5. After installation, check all joints for leakages.
6. Do not leave the rain shower system exposed to a severely corrosive environment.



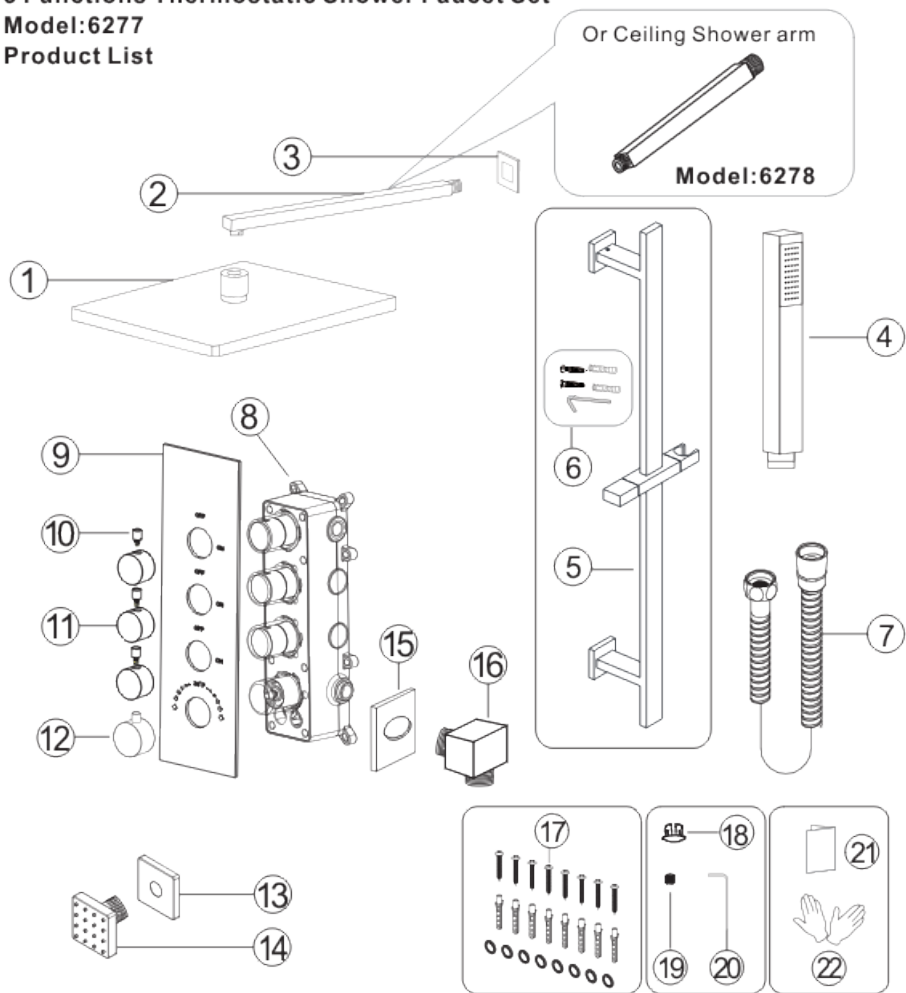
## YOU MAY NEED:



### ◆ 3 Functions Thermostatic Shower Faucet Set

Model:6277

Product List

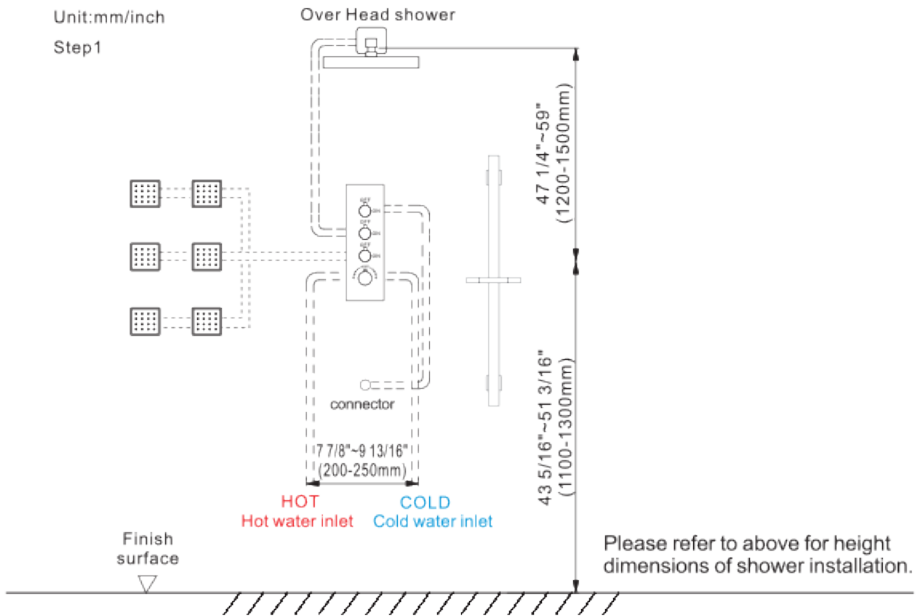


No.	Part name	Qty	No.	Part name	Qty
1	Shower head	1	12	Handle	1
2	Shower arm	1	13	Body jet cup	6
3	Shower arm cup	1	14	Body jet	6
4	Shower hand	1	15	Cup	1
5	Lifting rod	1	16	Connector	1
6	Lifting rod parts	2	17	Main body spare parts	8
7	Shower hose	1	18	Handle cap	1
8	Main body	1	19	Screw	1
9	Panel	1	20	Wrench	1
10	Water diverter rod	3	21	Instruction manual	1
11	Water diverter	3	22	Gloves	2

## ◆ Essential Dimensions & Water Pipe Line

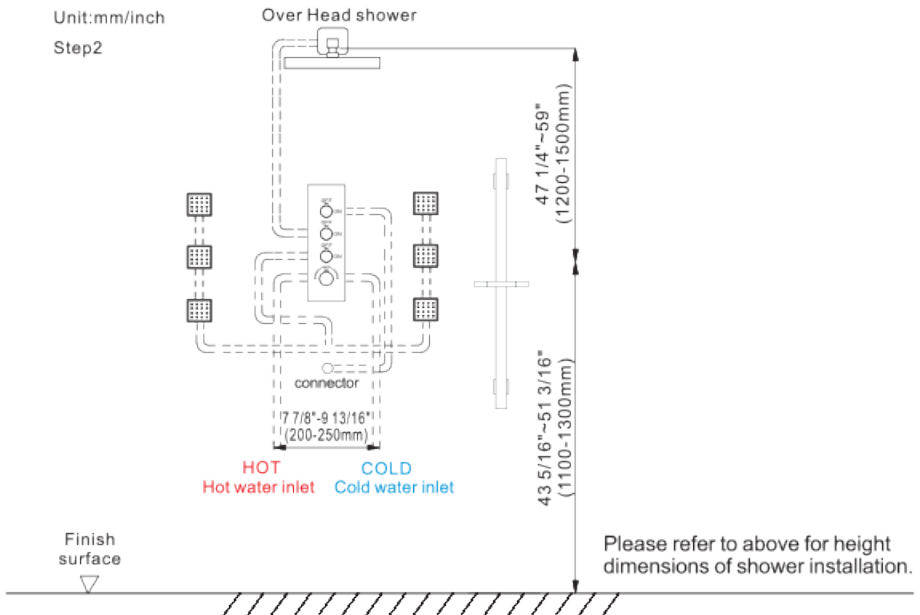
Unit:mm/inch

Step1

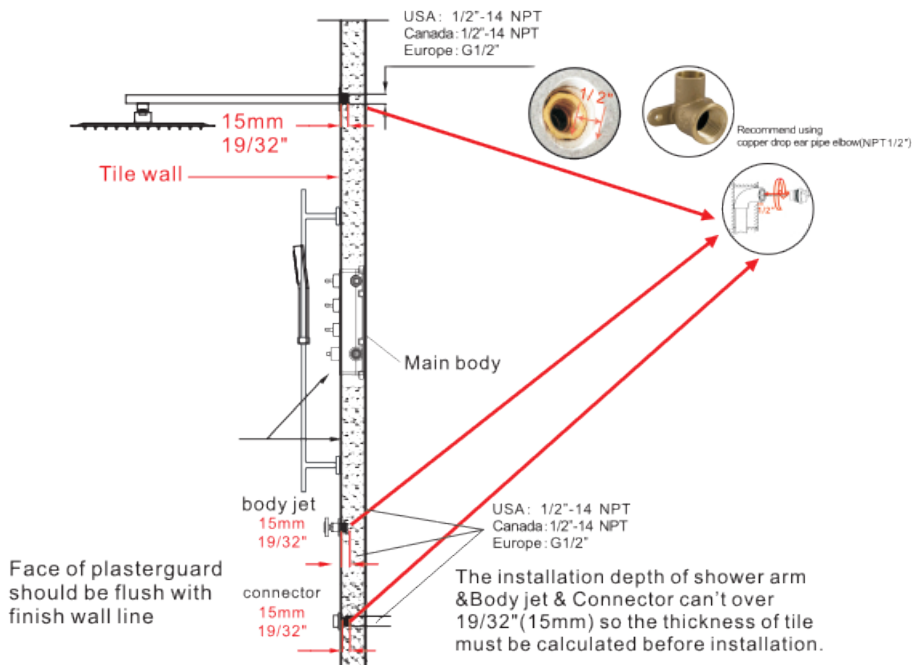


Unit:mm/inch

Step2

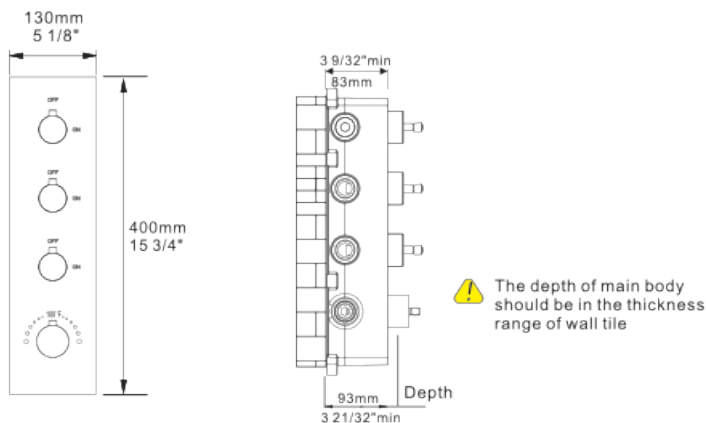


## ◆ Installation Depth Of Shower Arm & Connector & Body Jet



## ◆ Installation Depth of Main Body

Unit:mm/inch



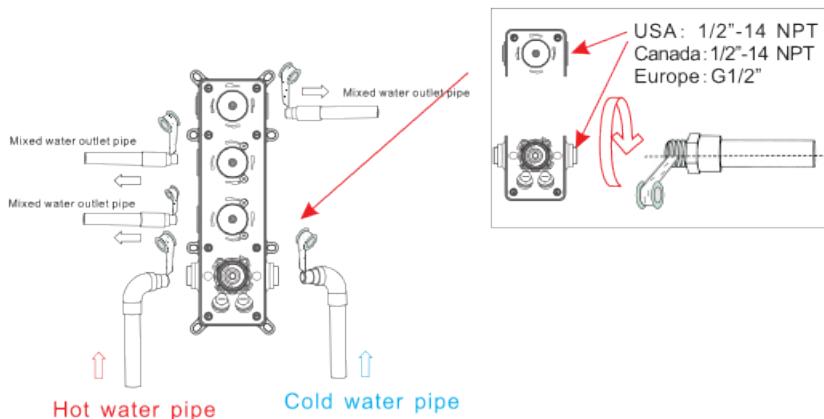
- Notice:**
1. The installation depth of main body should be no less than 3 9/32"(83mm) and no more than 3 21/32"(93mm), including the thickness of tile. Other wise, the panel cannot be installed.
  2. The opening size of ceramic tile shall be smaller than the panel size

## ◆ Piping Instructions Before Tiling



Warning: must install hot water and cold water inlet strictly as instructions.

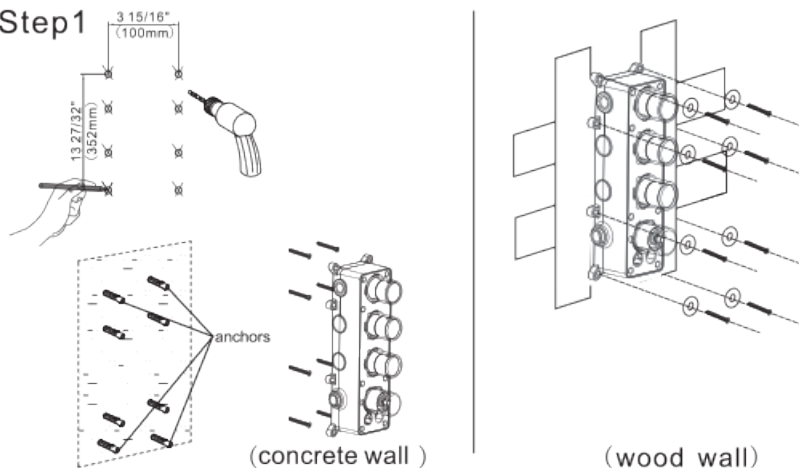
Wrap enough teflon tape



1. As shown in the figure, the inlet and outlet pipes are pre-buried. Please pay attention to the correct direction of installing the pre-buried main body.
2. Install the hot and cold water inlet pipes and three mixed water outlet pipes connected to shower head, hand shower holder and body jet pipes separately.
3. Before tiling, turn on the water to test whether the left and right inlet pipes are tightly connected without leakage. Then, adjust the flow switch to be on to check the mixed outlet pipes for leakages.

## ◆ Main Body Valve Installation

### Step 1

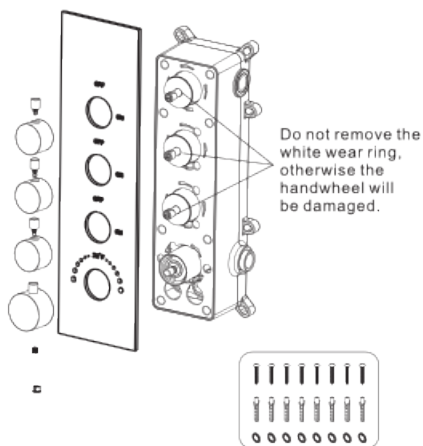


1. Make marks according to the size of the main body valve and then drill anchors into the wall (concrete wall)
2. Lock main body to wood directly with screws (wood wall)

▲ Please note that the level meter should be parallel with the wall, otherwise the panel cannot be installed.

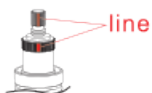
## ◆ Main Body valve installation

### Step2

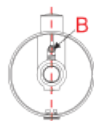
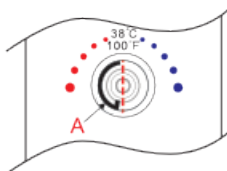


### Precautions for handwheel installation

※1: The line can't misplace, it should be kept in a line, otherwise the water temperature of 100°F or 38°C will not be correct.

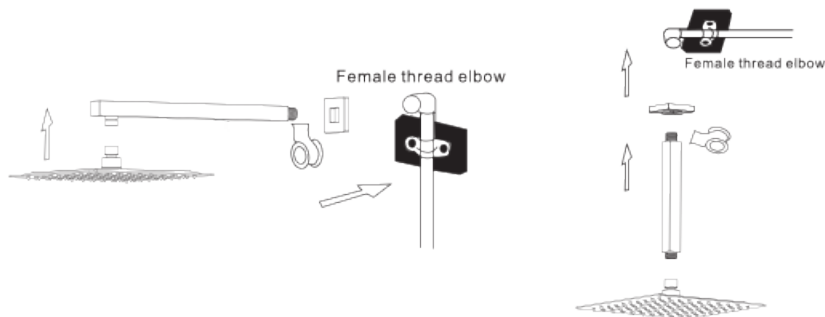


※2: Please ensure that A Plastic locating ring and B handwheel locating pin kept in the same line with 100 F or 38°C. Otherwise, the water temperature will be wrong.



1. Please install panel, water diverters and water diverter rods step by step and Remove the transparent protective cover.
2. Install the handle with the screw and handle cap.

## ◆ Installation Of Rain Shower Head & Shower Arm

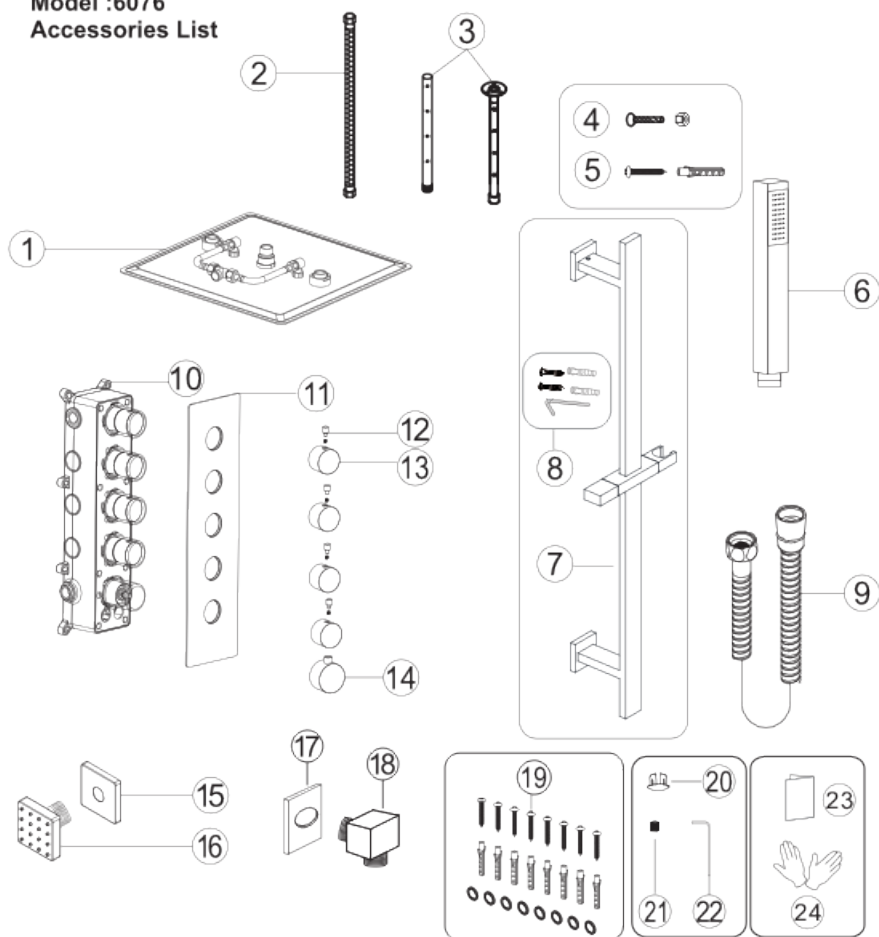


1. Connect shower arm with the cover before screwing arm into riser connection to prevent damage.
2. Fix shower head onto shower arm and apply tape to pipe threads on both ends.
3. Do not overtighten shower head. It is 360° swivel connection.

## ◆ Thermostatic 4 Functions Luxury Shower Faucet

Model :6076

### Accessories List

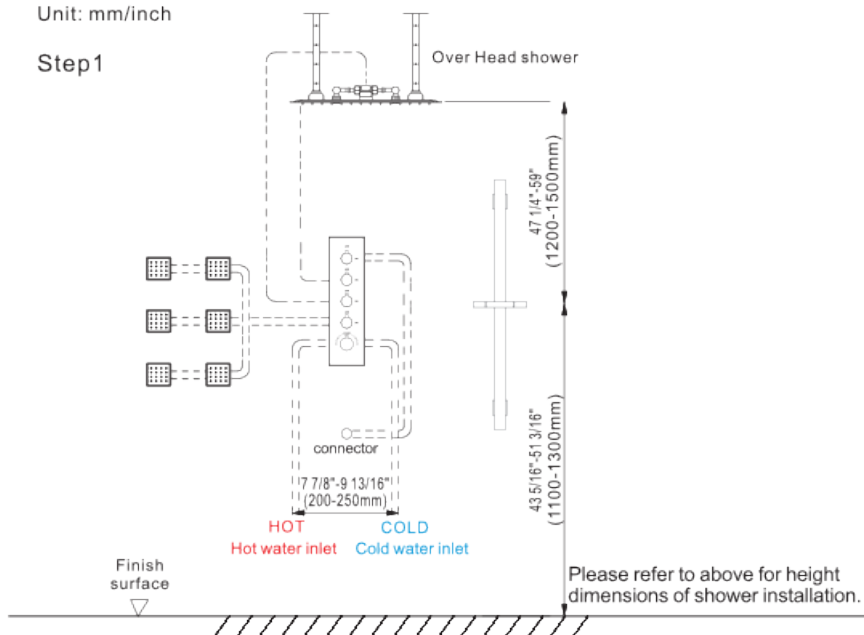


No.	Part name	Qty	No.	Part name	Qty
1	Shower head	1	13	Water diverter	4
2	Shower head hose	2	14	Handle	1
3	Fixed rod	2	15	Body jet cup	6
4	Screw	2	16	Body jet	6
5	Set screw	6	17	Cup	1
6	Shower hand	1	18	Connector	1
7	Lifting rod	1	19	Main body gasket parts	8
8	Lifting rod parts	2	20	Handle cap	1
9	Shower hose	1	21	Screw	1
10	Main body	1	22	Wrench	1
11	Panel	1	23	Instruction manual	1
12	Water diverter	4	24	Gloves	2

## ◆ Essential Dimensions & Water Pipe Line

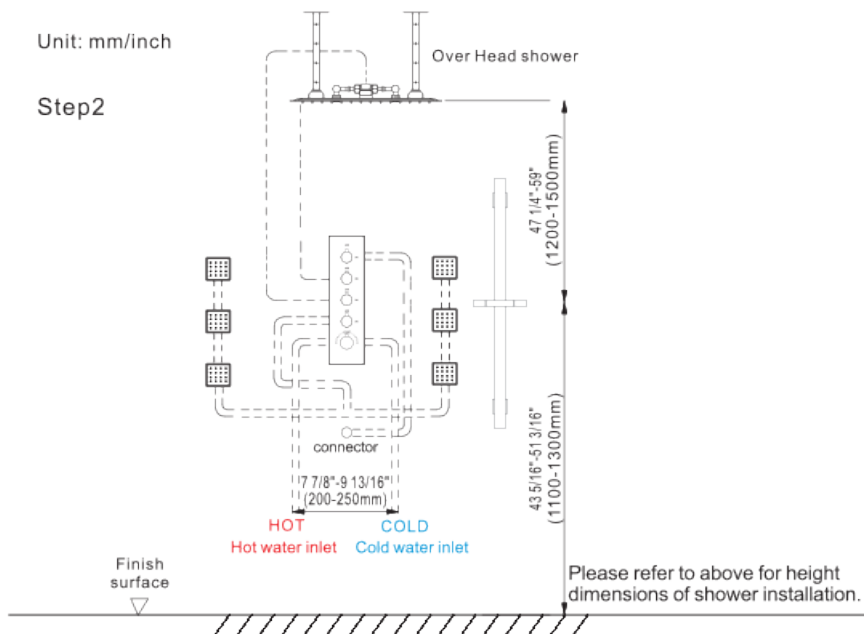
Unit: mm/inch

### Step1

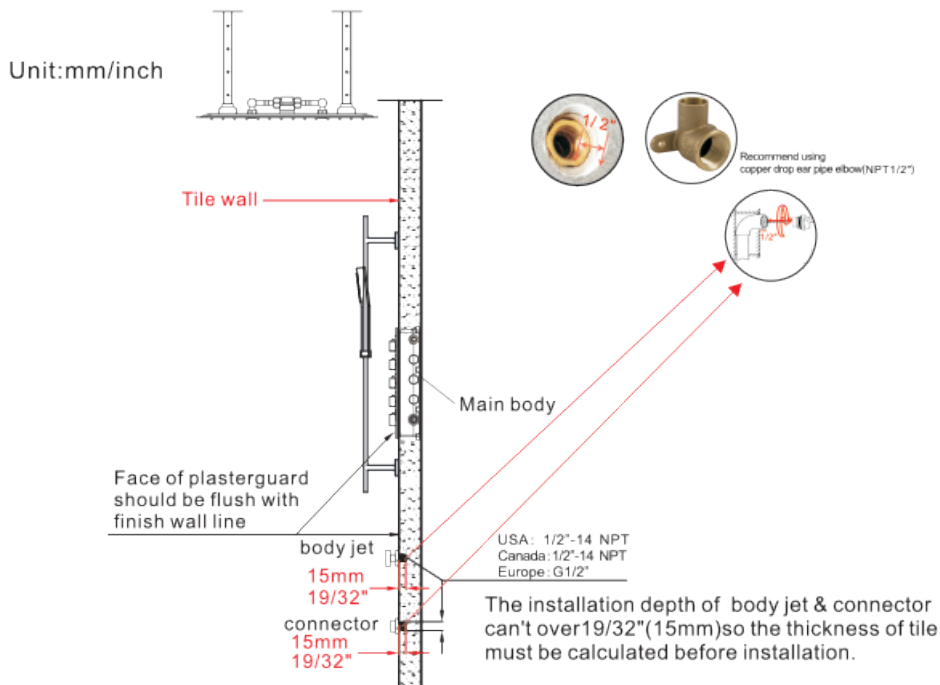


Unit: mm/inch

### Step2

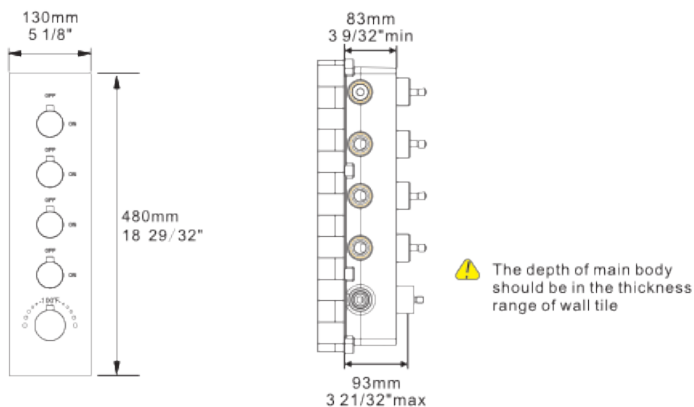


## ◆ Installation Depth Of Shower Connector & Body Jet




## ◆ Installation Depth Of Main Body

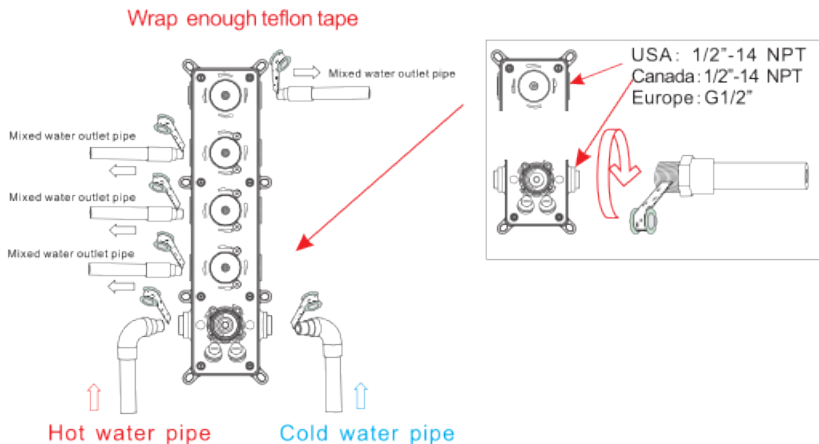
Unit: mm/inch



- Notice:** 1. The installation depth of main body should be no less than 3 9/32"(83mm) and no more than 3 21/32"(93mm), including the thickness of tile.  
2. The opening size of ceramic tile shall be smaller than the panel size.

## ◆ Main Body Connecting Pipe Schematic Diagram

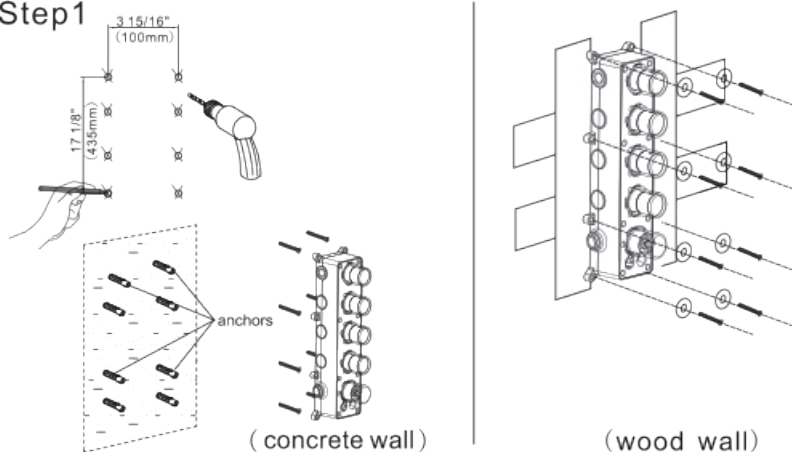
 Warning: must install hot water and cold water inlet strictly as instructions.



1. As shown in figure, the inlet and outlet pipes are pre-buried. Please pay attention to the correct direction of installing the pre-buried main body, and make sure that the mark level on the top of the installation box is facing upward.
2. Install the hot and cold water inlet pipes and three mixed water outlet pipes connected to shower head, hand shower holder and body jet pipes separately.
3. Before tiling, turn on the water to test whether the left and right inlet pipes are tightly connected without leakage. Then, adjust the flow switch to be on to check the mixed outlet pipes for leakages.

## ◆ Main Body Valve Installation

### Step 1

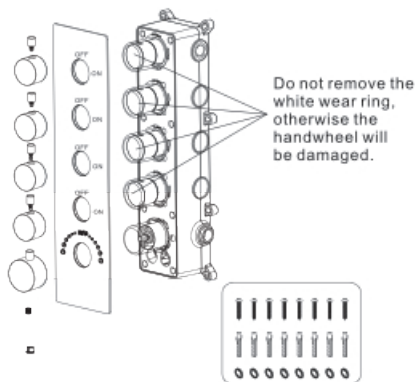


1. Make marks according to the size of the main body valve and then drill anchors into the wall (concrete wall)
2. Lock main body to wood directly with screws (wood wall)

▲ Please note that the level meter should be parallel with the wall, otherwise the panel cannot be installed.

## ◆ Main Body valve installation

### Step2

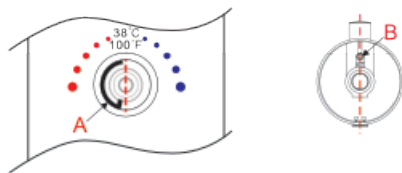


### Precautions for handwheel installation

※1: The line can't misplace, it should be kept in a line, otherwise the water temperature of 100°F or 38°C will not be correct.

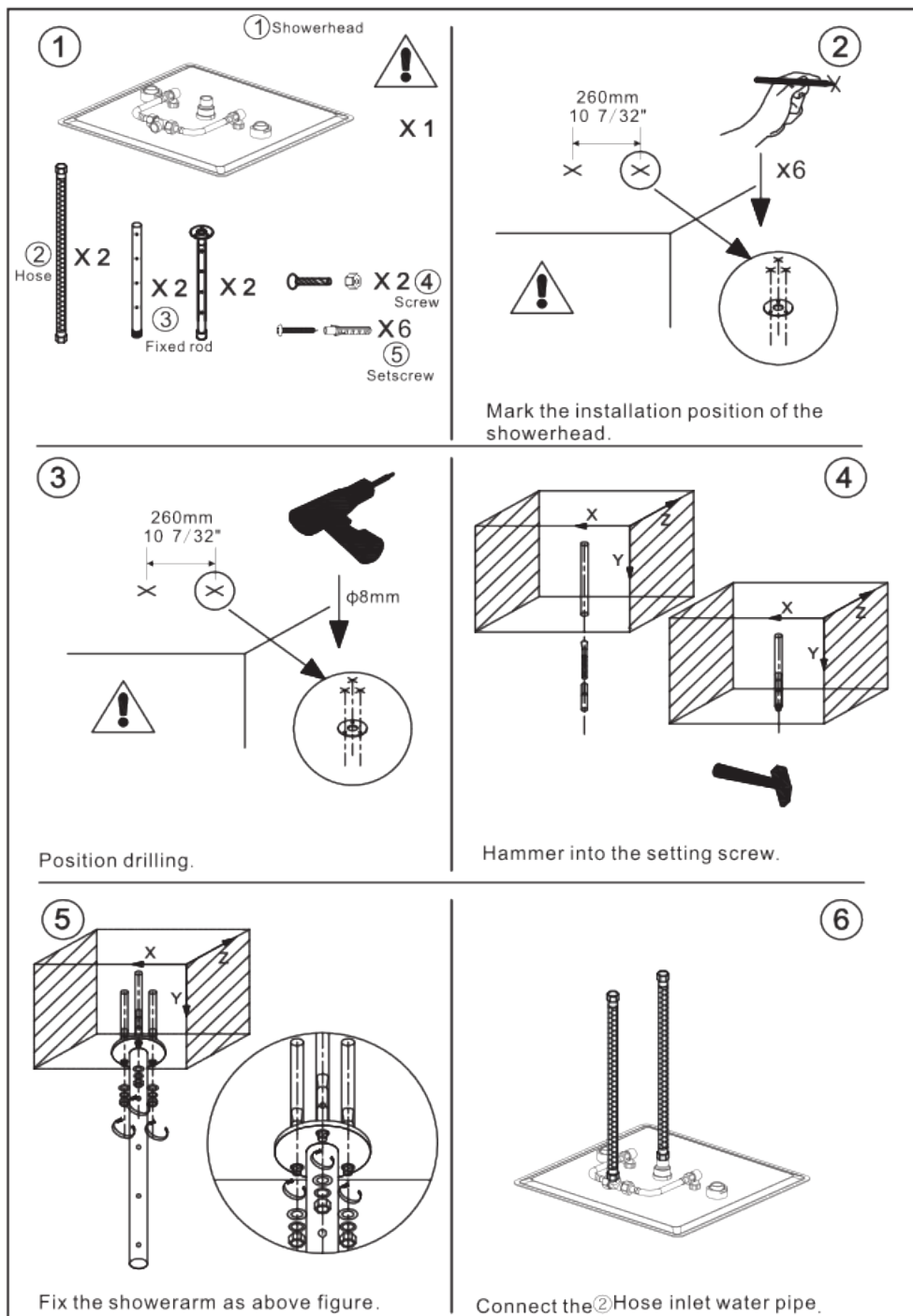


※2: Please ensure that A Plastic locating ring and B handwheel locating pin kept in the same line with 100°F or 38°C. Otherwise, the water temperature will be wrong.

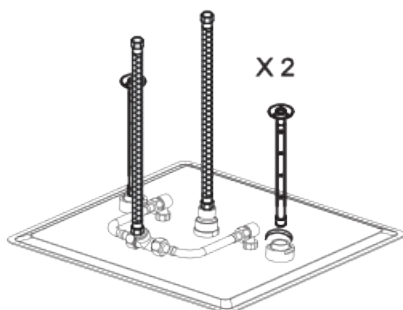


1. Please install panel, water diverters and water diverter rods step by step and Remove the transparent protective cover.
2. Install the handle with the screw and handle cap.

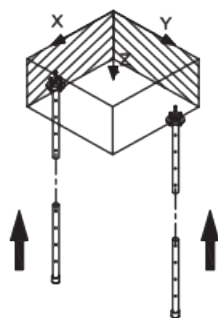
◆ Shower Head Installation



7

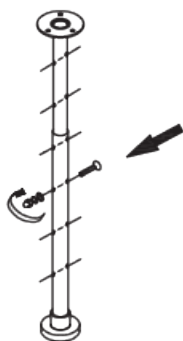


8

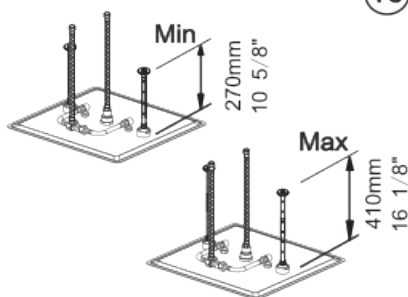


Install the showerhead according to the left figure, fix the showerarm with screw according to the right figure.

9

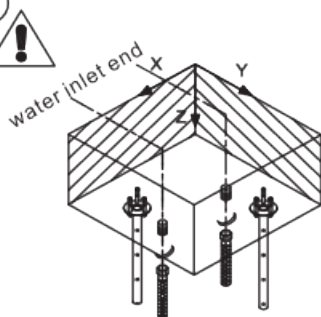


10



Adjust the showerhead height (refer to Figure 10 after confirming the height).

11

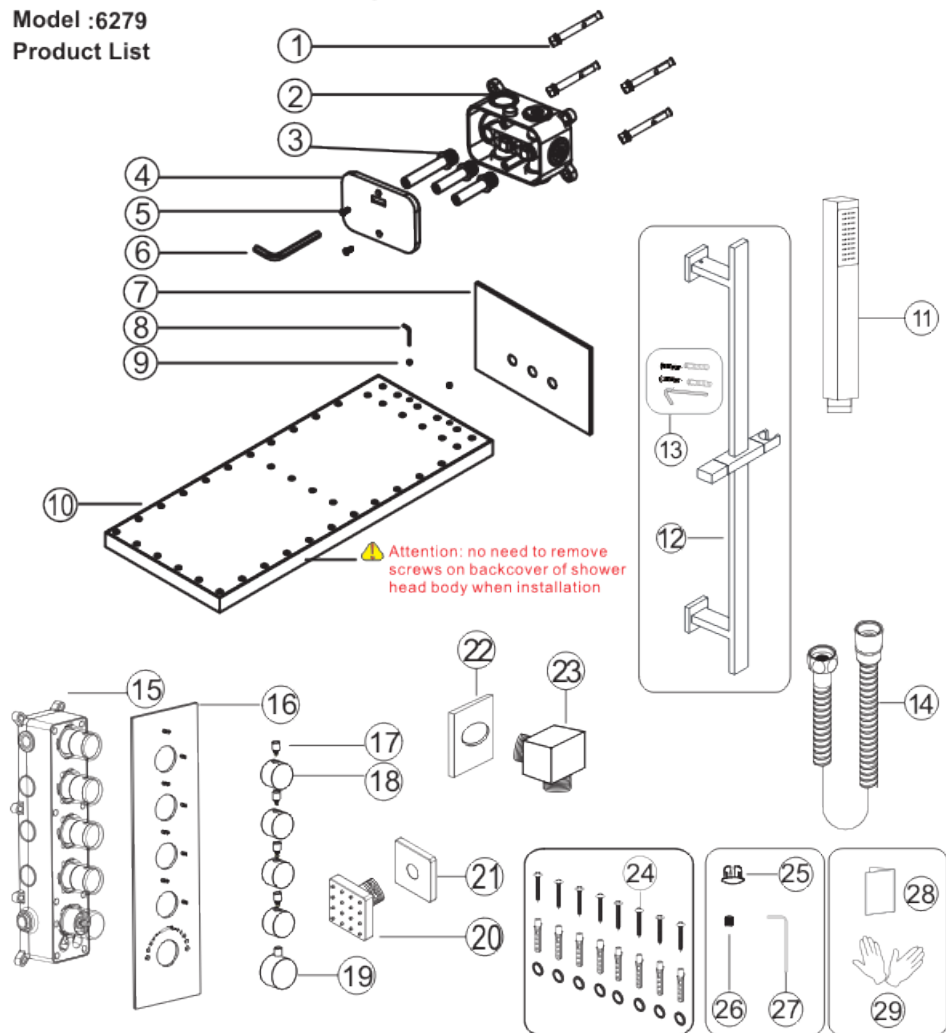


The water inlet end of two-function showerhead is connected with the control valve.

## ◆ Thermostatic 4 Functions Luxury Shower Faucet

Model :6279

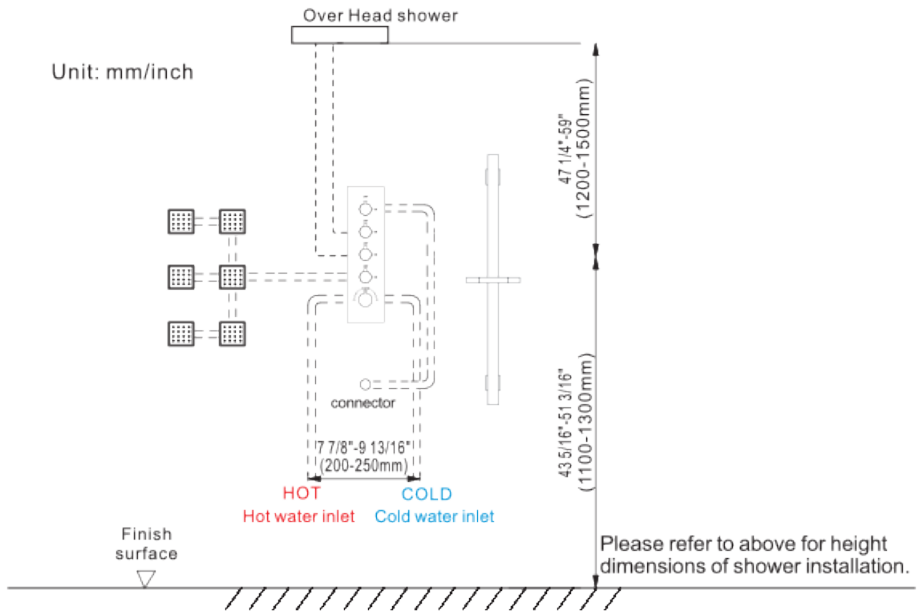
Product List



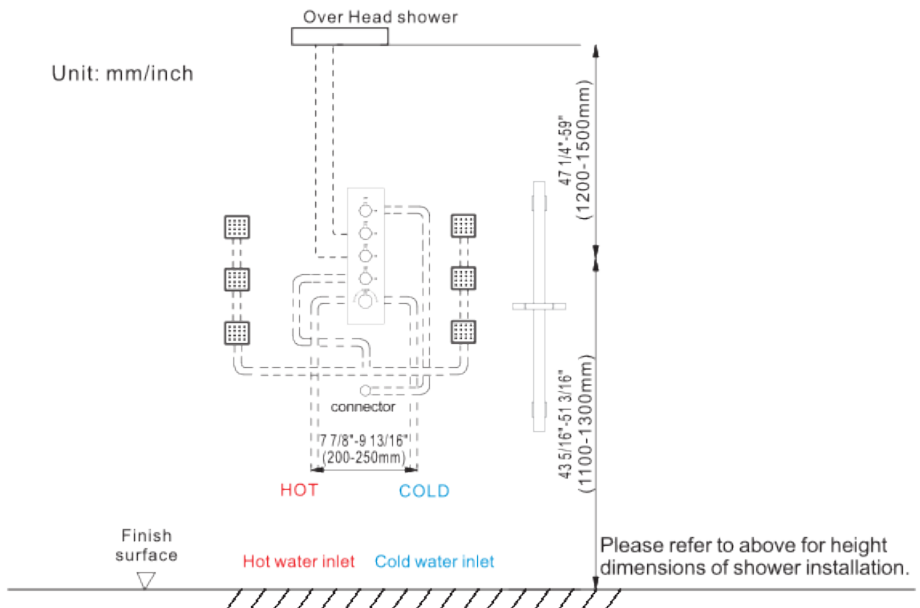
No.	Part name	Qty	No.	Part name	Qty	No.	Part name	Qty
1	Expansion screws	4	11	Shower hand	1	21	Body jet cup	6
2	Inwall box	1	12	Lifting rod	1	22	Cup	1
3	Water inlet	3	13	Lifting rod parts	2	23	Connector	1
4	Cover	1	14	Shower hose	1	24	Main body gasket parts	8
5	Screw	2	15	Main body	1	25	Handle cap	1
6	S8 Allen key	1	16	Panel	1	26	Handle screw	1
7	Flange	1	17	Water diverter rod	4	27	Handb Wrench	1
8	Allen key 2.5	1	18	Water diverter	4	28	Instruction manual	1
9	M4 screw	2	19	Handle	1	29	Gloves	2
10	Shower head body	1	20	Body jet	6			

## ◆ Essential Dimensions & Water Pipe Line

Step1

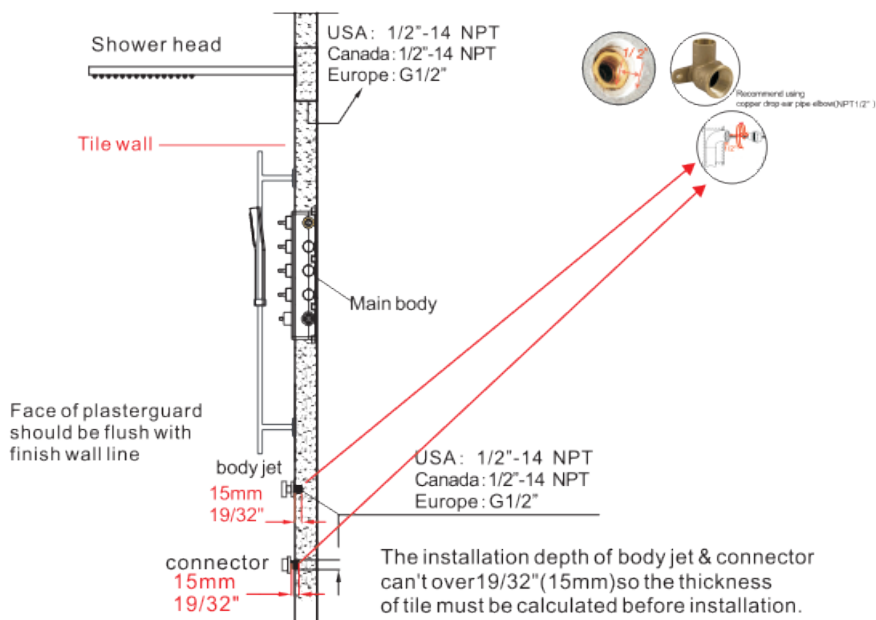


Step2



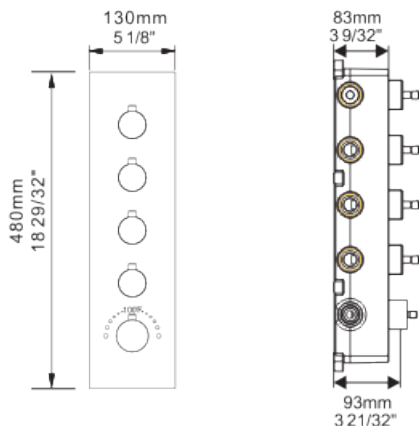
## ◆ Installation Depth Of Shower Holder & Body Jet


Unit:mm/inch



## ◆ Installation Depth Of Main Body

Unit:mm/inch



 The depth of main body should be in the thickness range of wall tile

**Notice:** 1. The installation depth of main body should be no less than 3 9/32"(83mm) and no more than 3 21/32"(93mm), including the thickness of tile. Other wise, the panel cannot be installed.

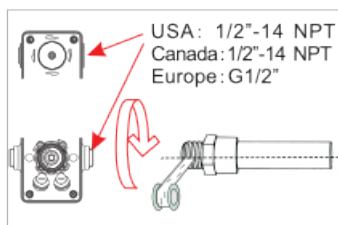
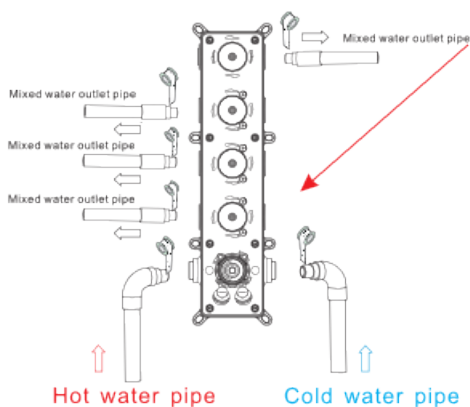
2. The opening size of ceramic tile shall be smaller than the panel size

## ◆ Piping Instructions Before Tiling



Warning: must install hot water and cold water inlet strictly as instructions.

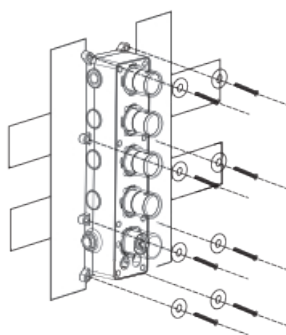
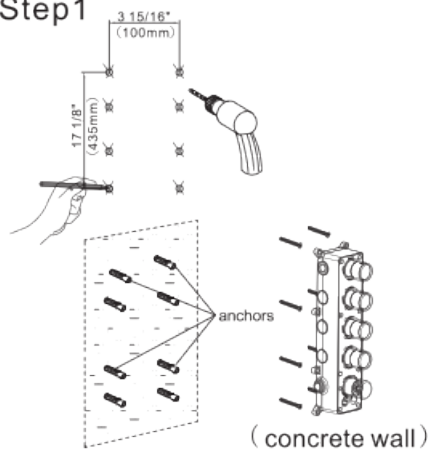
Wrap enough teflon tape



1. As shown in the figure, the inlet and outlet pipes are pre-buried. Please pay attention to the correct direction of installing the pre-buried main body, and make sure that the mark level on the top of the installation box is facing upward.
2. Install the hot and cold water inlet pipes and three mixed water outlet pipes connected to shower head, hand shower holder and body jet pipes separately.
3. Before tiling, turn on the water to test whether the left and right inlet pipes are tightly connected without leakage. Then, adjust the flow switch to be on to check the mixed outlet pipes for leakages.

## ◆ Main Body Valve Installation

### Step 1



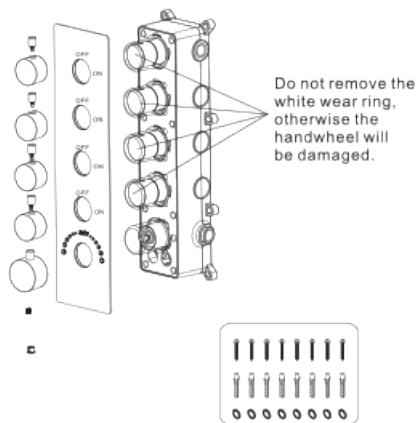
(concrete wall)

(wood wall)

1. Make marks according to the size of the main body valve and then drill anchors into the wall (concrete wall)
  2. Lock main body to wood directly with screws (wood wall)
- ▲ Please note that the level meter should be parallel with the wall, otherwise the panel cannot be installed.

## ◆ Main Body valve installation

### Step2

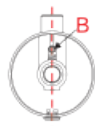
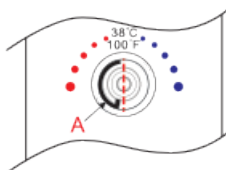


### Precautions for handwheel installation

※1: The line can't misplace, it should be kept in a line, otherwise the water temperature of 100 F or 38°C will not be correct.



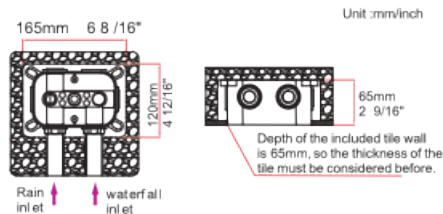
※2: Please ensure that A Plastic locating ring and B handwheel locating pin kept in the same line with 100 F or 38°C. Otherwise, the water temperature will be wrong.



1. Please install panel, water diverters and water diverter rods step by step and Remove the transparent protective cover.
2. Install the handle with the screw and handle cap.

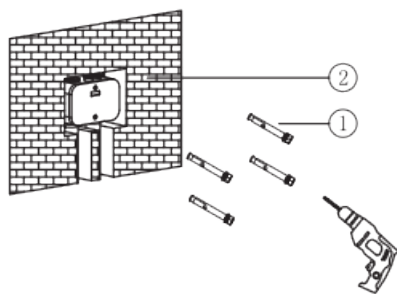
## ◆ 22in Shower Head Installation

1. Digging wall according to following size, and connect rain and waterfall inlet correctly

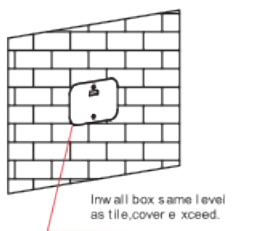


⚠ If the Inwall box is embedded too deep, the shower head will not be installed properly and it will cause water leakage and sag problems. Please pay special attention to the installation depth.

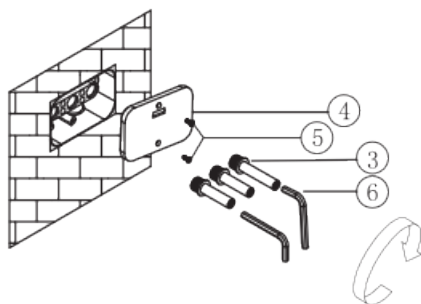
2. Lock Inwall box refer to level meter guarantee horizontal level and test leaking for 24 hours.



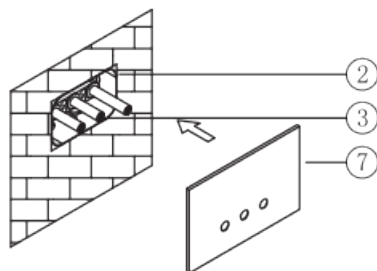
3. Remain inwall box in same level as wall after seal the tile and cover exceed wall.



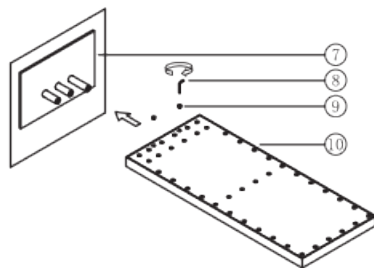
4. Install Shower head body. First remove box cover and plug, screw three water inlets into inwall box with S8 Allen Key. Longest role is support.



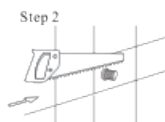
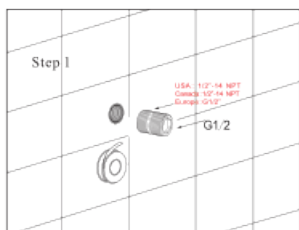
5. Install Flange as picture. Caution: do setp 4-5-6 to test horizontal and vertical position of shower head before wall seal to avoid any trouble of repair after wall seal.



6. Push shower head body into according water inlets, and tighten shower body by M4 screw with Allen key 2.5.



## ◆ Body Jets Installation



Step 1. Wrap the threaded pipe of NPT1/2 with Teflon tape and screw it into the wall.

Step 2. Cut off excess part with a saw.

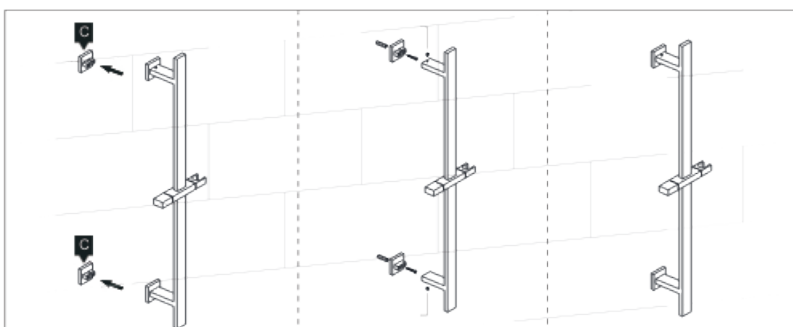
Step 3. Screw the message body jet onto the wall.

⚠ The opening size of ceramic tile shall be smaller than the decorative cup of body jet size, otherwise it will not be installed

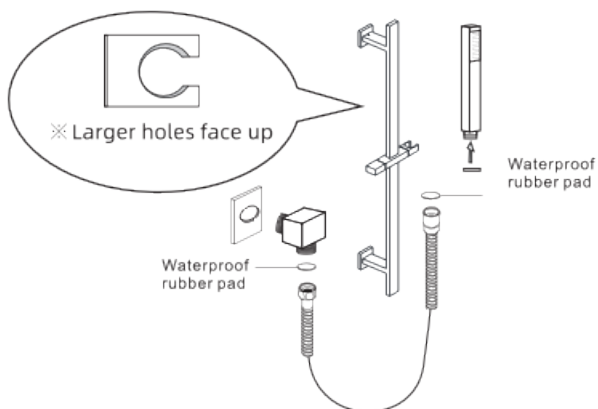
## ◆ Lifting Rod Installation



1. Mark the punch position with a pen, drill holes with a 6mm electric drill, knock the pellets in. Lastly, Place the base and screw in the screws.



2. Put the Shower Elevator Rack into the base, then Tighten the screw, done.



Step1. The connector to be wrapped with teflon tape, Screw the thread into the water pipe inside the wall.

Step2. Install the rubber pad on the shower hose and connect it with the connector.

## ◆ Clean and Maintenance

### Do's

1. In order to keep the mixer surface bright, please clean the mixer regularly.
2. Rinse faucet with clean water and wipe it with soft cotton cloth.
3. Use one of the following cleaners to remove dirt on the surface:
  - a. Mild liquid cleaner.
  - b. Colorless glass cleaner and powder cleaner which does not cause abrasion and can be dissolved completely.
  - c. Polish liquid which does not cause abrasion.



### Don'ts

- a. Avoid using cleaning powder, harsh cleaning chemicals, brushes and coarse cloth to prevent scratching and friction.
- b. Do not use acid cleaner to clean the faucet as it may cause surface corrosion of the faucet. If the faucet should be exposed to harmful acid substances, please rinse it with water immediately.