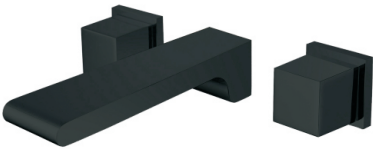


BASIN FAUCET INSTALLATION MANUAL



1370



1365

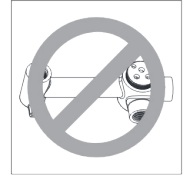
CONTENT

1.Installation Condition	1
2.Model:1370 Wall Mount Basin Faucet	
Wall Mount Faucet Standard Accessories List	2
Installation Size Dimensions	2
Installation Depth Of Main Body	3
Main Body Connecting Pipe Schematic Diagram	3
Main Body Installation	4
3.Model:1365 Wall Mount Basin Faucet	
Wall Mount Faucet Standard Part List	5
Installation Size Dimensions	5
Installation Depth Of Main Body	6
Main Body Installation	6
4.Clean And Maintenance	8
5.Warranty	9

■ Installation Condition



1.Refer to the 《Standard Part List》 when unpacking ,
check all parts available .

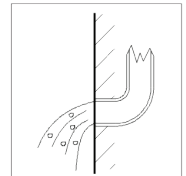


2.Do not disassemble mixer body by yourself.



3.Connect inlet hoses to supply valves.

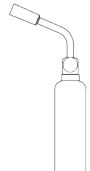
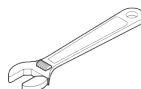
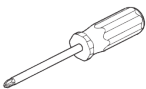
4.Make sure inlet pipes and supply valves have been
installed and cleaned, also ensure no impurities in
pipeline.



5.After installation , check all joints for leakages.

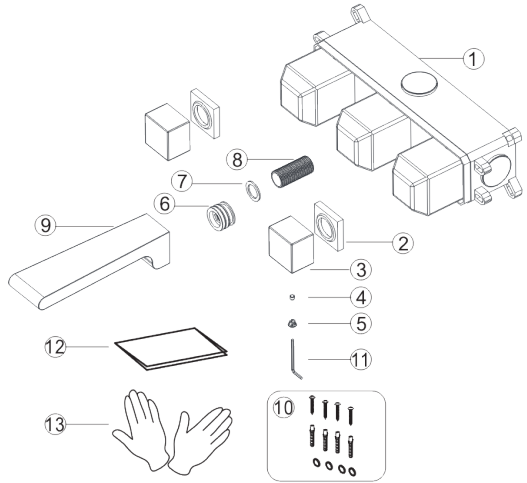
6.Suggest don't fit the faucet in the severely corrosive environments.

YOU MAY NEED:



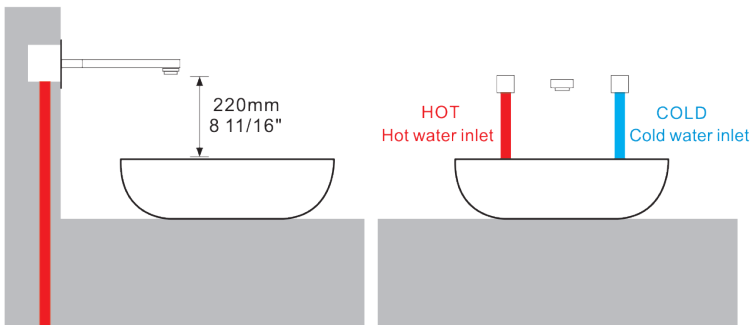
■ Wall Mount Faucet Standard Accessories List

1	Main body	1
2	Panel	2
3	Handle	2
4	Handle screw	2
5	Handle cap	2
6	Male brass joint	1
7	Gasket	1
8	Female brass joint	1
9	Spout	1
10	Body gasket parts	4
11	Handle Wrench	1
12	Instruction manual	1
13	Gloves	2



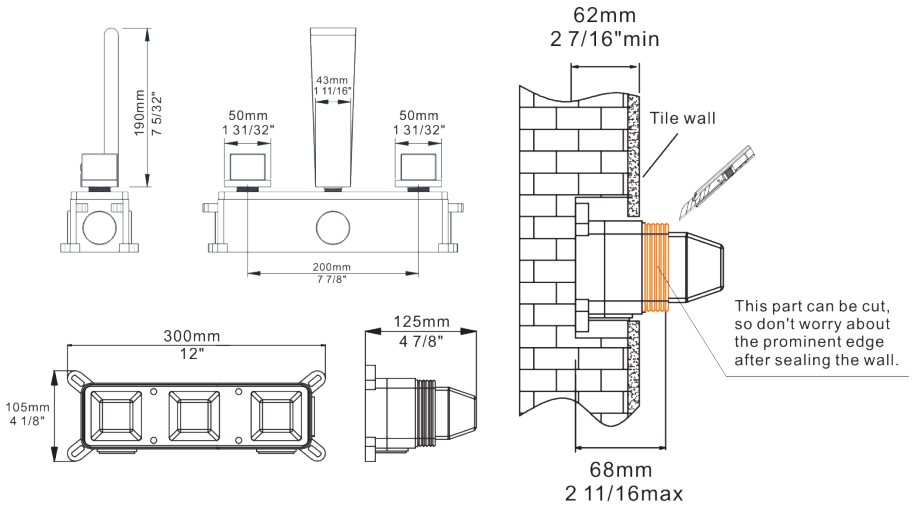
■ Installation Size Dimensions

Unit:mm/inch



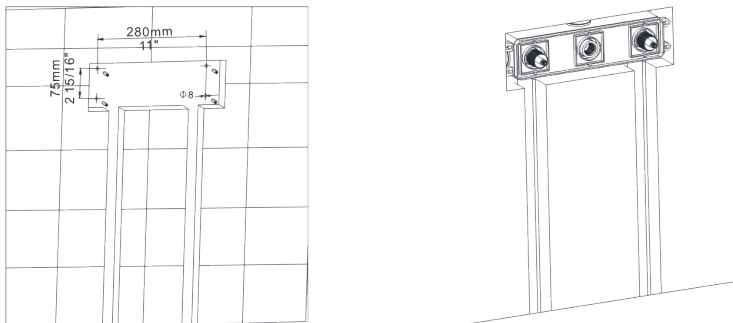
■ Installation Depth Of Main Body

Unit:mm/inch



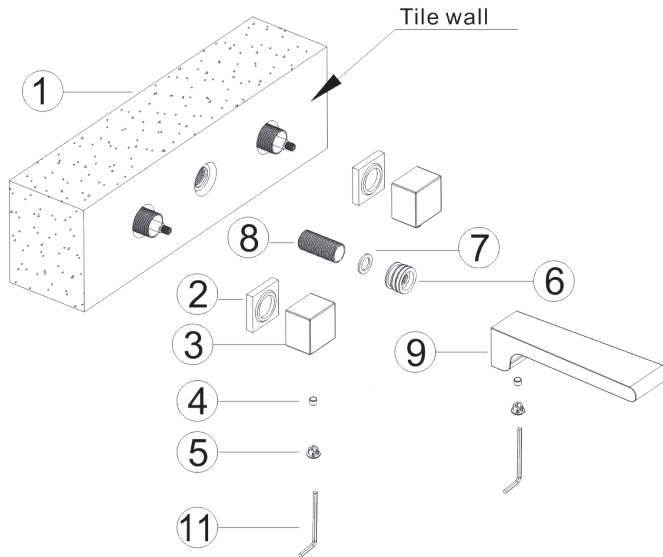
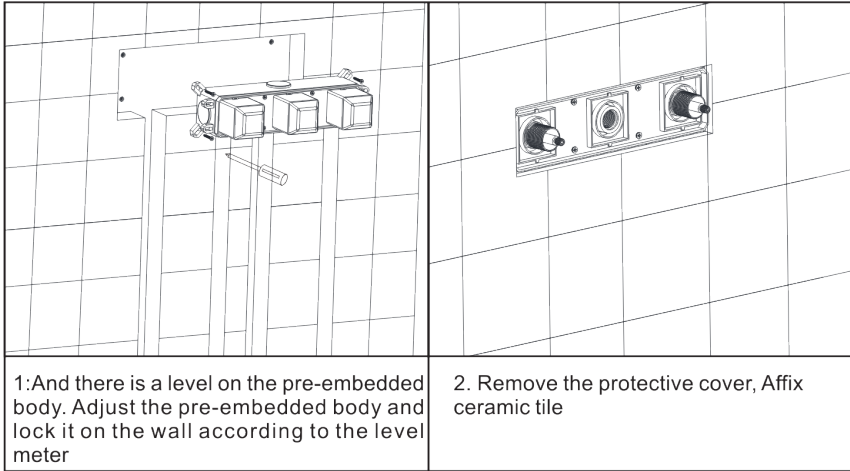
Notice: The installation depth of main body should be no less than 2 7/16" (62mm) and no more than 2 11/16" (68mm), including the thickness of tile. Otherwise, the panel cannot be installed.

■ Main Body Connecting Pipe Schematic Diagram



- 1: The pre-buried groove is made on the blank wall (including the thickness of ceramic tile); $\varnothing 8$ mm holes are punched with impact cobalt on the wall, and the plastic is inserted into the hole.
- 2: As shown in the figure, the inlet pipes are pre-buried, pay attention to the correct direction of installing the pre-buried box, Make sure the level is parallel correctly, otherwise the panel cannot be installed.
- 3: Turn on the water source to test whether the left and right inlet pipes are tightly connected without leakage. After the test, adjust the flow switch to be on to test whether the mixed outlet pipe. The connection is tight and there is no leakage.

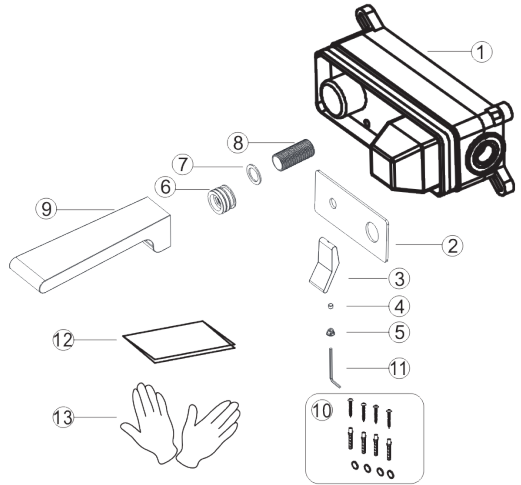
■ Main Body Installation



1. Take ⑥ Male brass joint away from ⑨ Main body, pay attention to screw out, Taking care not to damage O-ring, Wrap the ⑧ Female brass joint with raw material tape. Then connect the Main body, In that order ⑦ Gasket ⑥ Male brass joint ⑨ Main body, Then install Screws and cup.
2. Install Panel and ③ Handle on the ① Main body, then install ④ Handle screw and ⑤ cup.

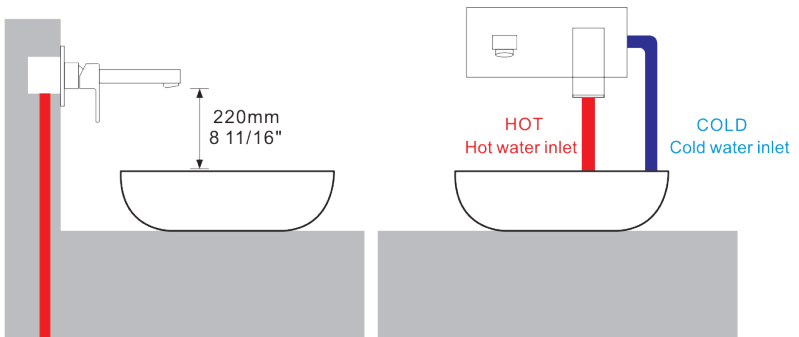
■ Wall Mount Faucet Standard Part List

1	Main body	1
2	Panel	2
3	Handle	2
4	Handle screw	2
5	Handle cover	2
6	Male brass joint	1
7	Gasket	1
8	Female brass joint	1
9	Spout	1
10	Body gasket parts	4
11	Handle Wrench	1
12	Instruction manual	1
13	Gloves	1



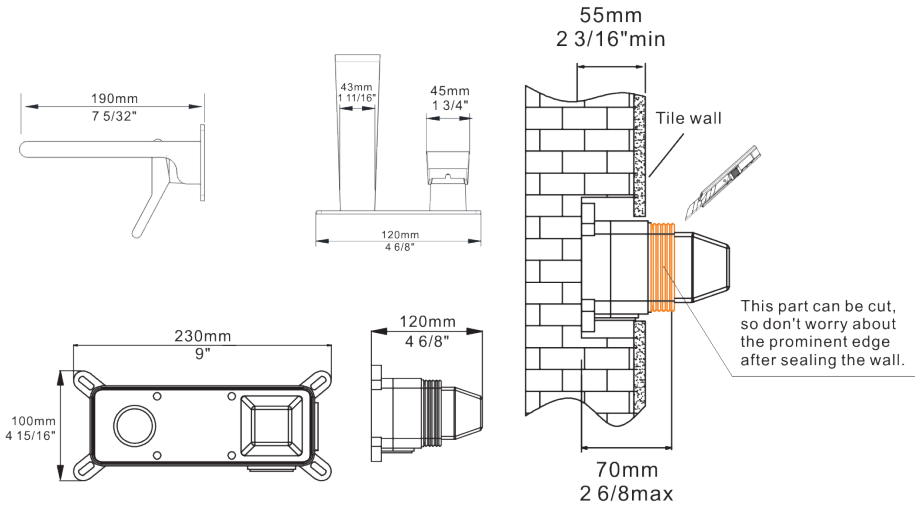
■ Installation Size Dimensions

Unit:mm/inch



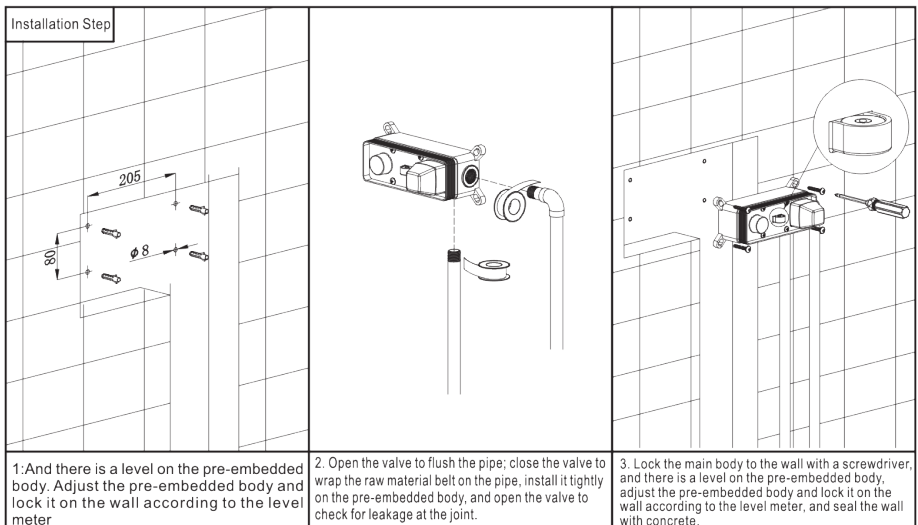
■ Installation Depth Of Main Body

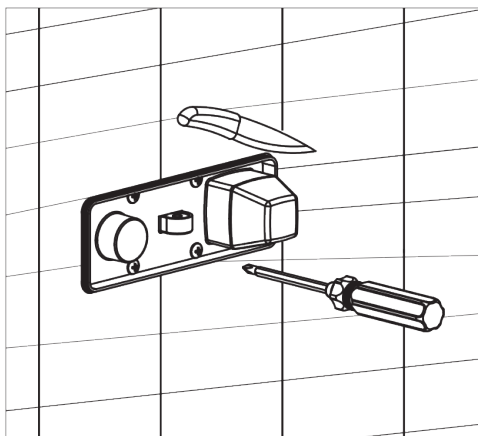
Unit:mm/inch



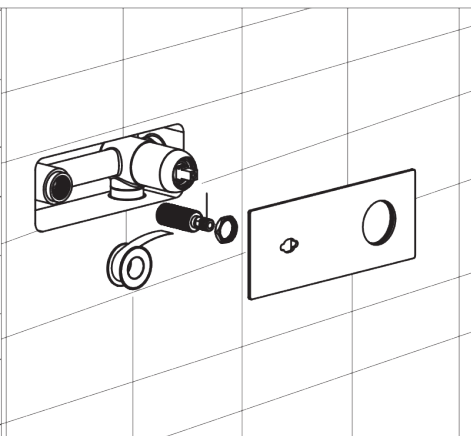
Notice: The installation depth of main body should be no less than 2 3/16"(55mm) and no more than 2 6/8"(70mm), including the thickness of tile. Otherwise, the panel cannot be installed.

■ Main Body Installation

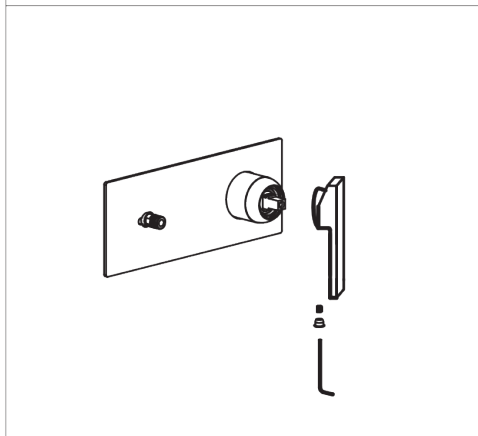




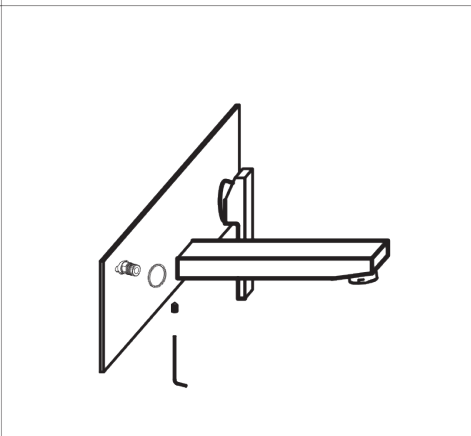
4. After sealing the ceramic tile, cut the excess plastic box on the edge of the embedded box with a knife to flatten the tile surface, and screw out the cover with level with a screwdriver.



5. Wrap the outlet nozzle joint with raw material belt and use hexagonal nut to adjust the depth of the joint to adjust the outlet nozzle; remove the panel and cover it.



6. Take out the handle and put the handle on the main body, and lock the screw with a hexagonal spoon to install the decorative cover.



7. Take out the outlet nozzle and turn on the white wear-resistant ring, insert the outlet nozzle on the joint, and lock the outlet nozzle with a hexagonal spoon screw.

■ Clean And Maintenance

Do's

1. In order to keep the mixer surface bright, please clean the mixer regularly.
2. Rinse faucet with clean water and wipe it with soft cotton cloth.
3. Use one of the following cleaners to remove dirt on the surface:
 - a. Mild liquid cleaner.
 - b. Colorless glass cleaner and powder cleaner which does not cause abrasion and can be dissolved completely.
 - c. Polish liquid which does not cause abrasion.



Don'ts

- a. Avoid using cleaning powder, harsh cleaning chemicals, brushes and coarse cloth to prevent scratching and friction.
- b. Do not use acid cleaner to clean the faucet as it may cause surface corrosion of the faucet. If the faucet should be exposed to harmful acid substances, please rinse it with water immediately.

■ Warranty

Warranty Duration

All parts of this faucet system are warranted to the original purchaser to be free from defects in material and workmanship for 5 years from the date of purchase as shown on the invoice.

Repair and Replacement

Within the warranty period, if the product has defects in material and workmanship, Everstein will repair or replace the product free of charge. Everstein may require you provide the invoice when repairing or replacing the product.

Exclusions

Everstein shall not be responsible for the following cases:

- 1.The damage to the product caused by improper installation, misuse, unauthorized repair or replacement, and abuse (including damage during shipment).
- 2.The damage to the product caused by improper dismantlement after installation.
- 3.This warranty does not cover the damage resulting from abnormal water pressure and impurities in water pipes.
- 4.When the product is covered with rust due to insufficient care and maintenance.
5. The damage caused by natural disasters such as fire, flood, earthquake, electric storms, etc.