



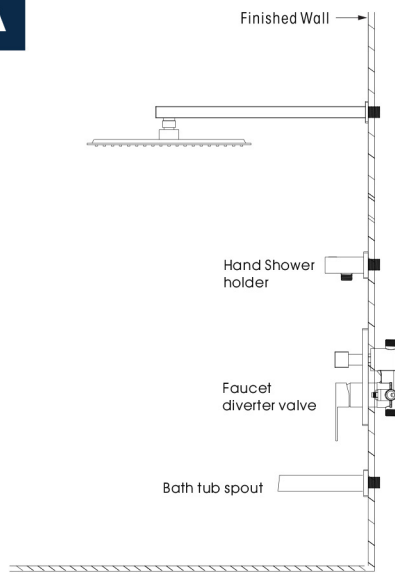
THE ANSWER TO IDEAL LIVING

PRODUCT INSTALLATION MANUAL

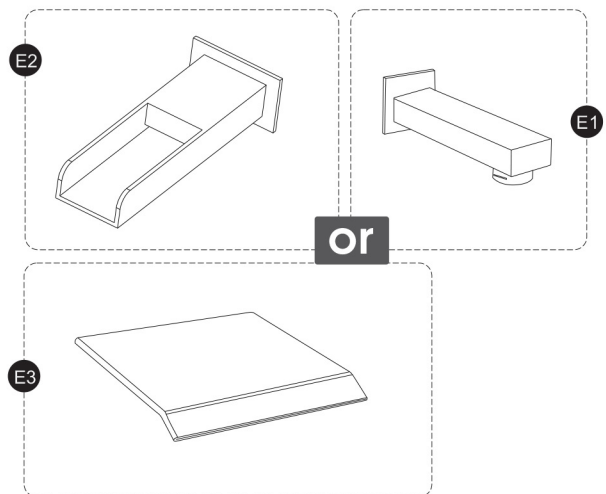
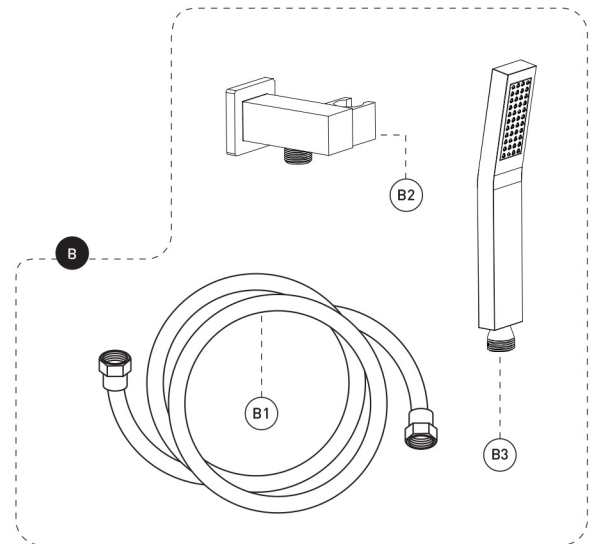
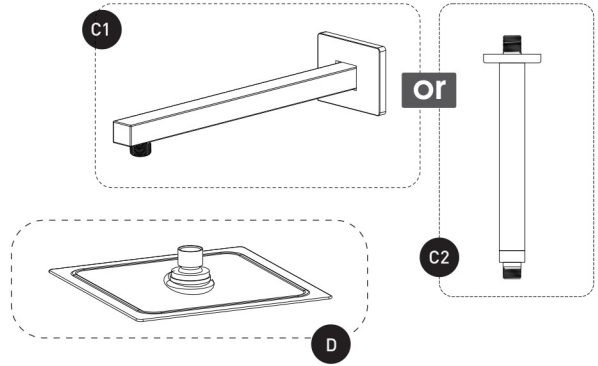
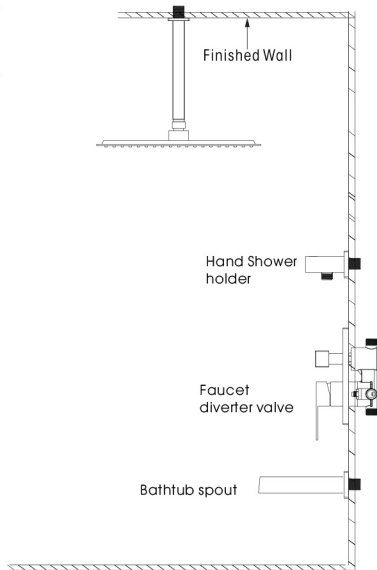
WHEN IT COMES TO HOME, THIS IS THE BEST ANSWER.

INSTALLATION INSTRUCTION

A



B

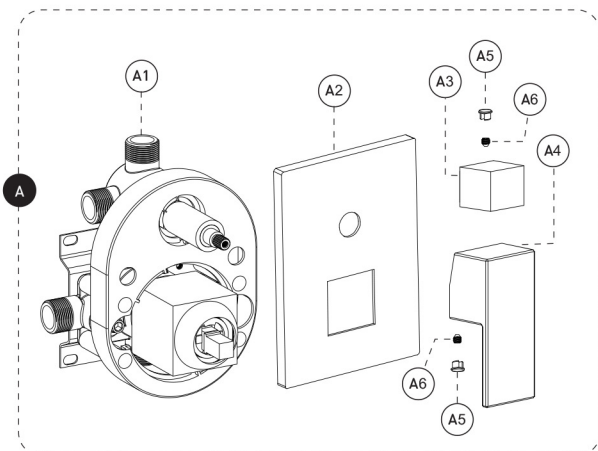


No.	Description
A	Pressure balanced diverter valve
A-1	Valve
A-2	Face plate with sealjoint
A-3	Diverter kit
A-4	Fauset handle
A-5	Trim cap
A-6	Allen screw
B	Sliding bar kit with flexible hose
B-1	Flexible hose
B-2	Hand shower holder
B-3	Hand shower
C1	Shower arm and flange kit
C2	Ceiling shower arm and flange kit
D	Shower head
E1	Bathtub spout
E2	Bathtub spout waterfall
E3	Bathtub spout waterfall-plus

RECOMMENDED TOOLS

Plumber's putty  Thread seal tape 

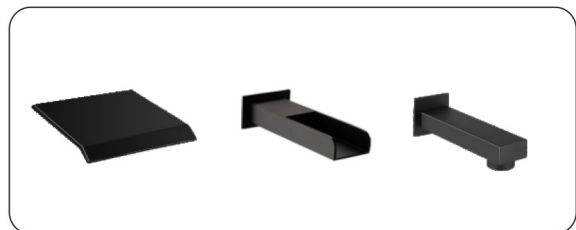
Included   



SHOWER SYSTEM FAUCET
Installation instruction



MB/BN/BG/CH/ORB

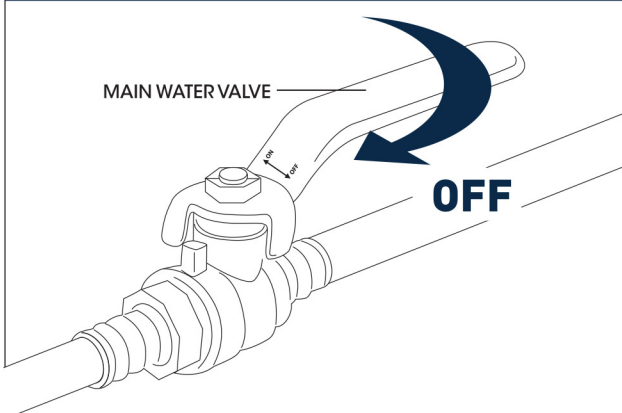


INSTALLATION STEPS

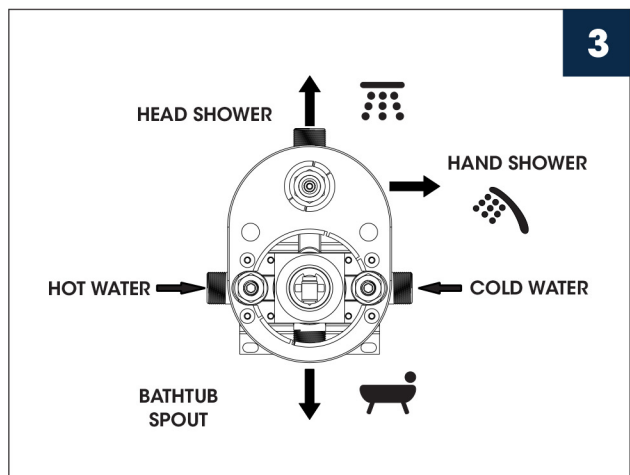
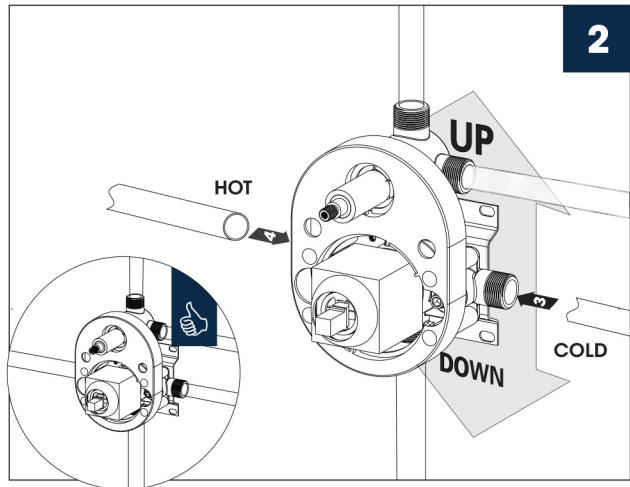
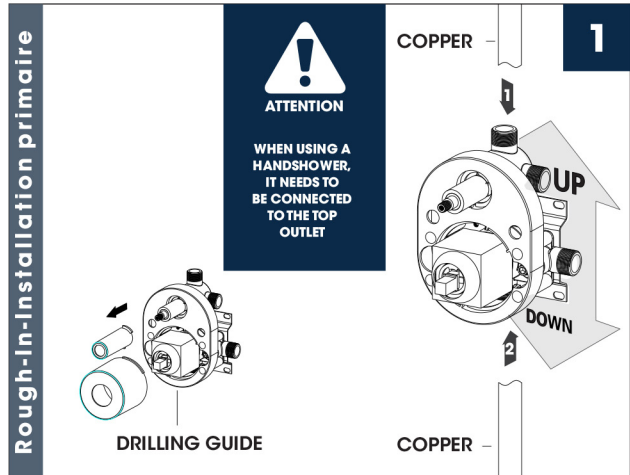
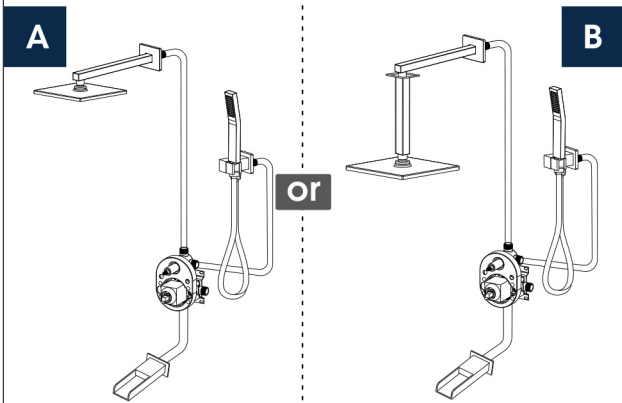
! IMPORTANT

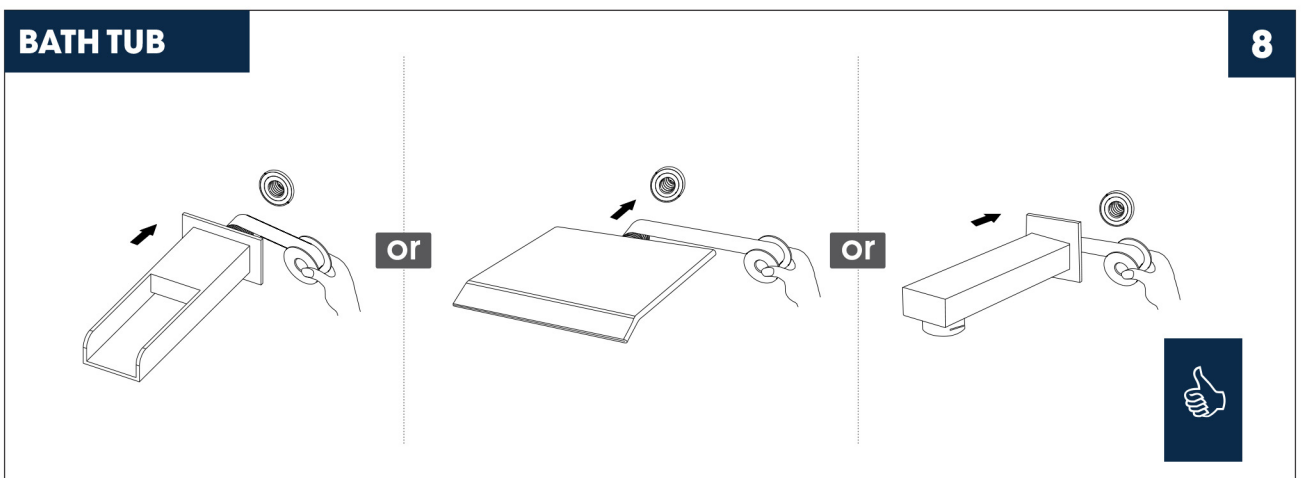
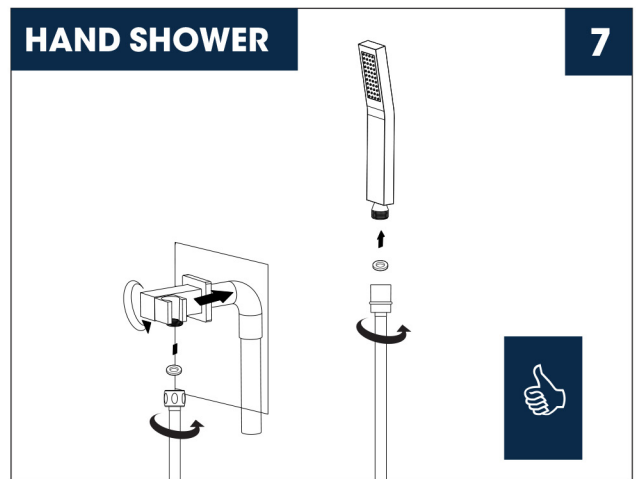
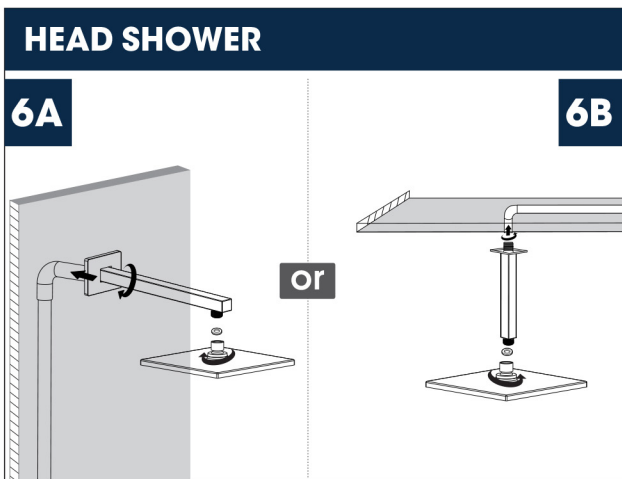
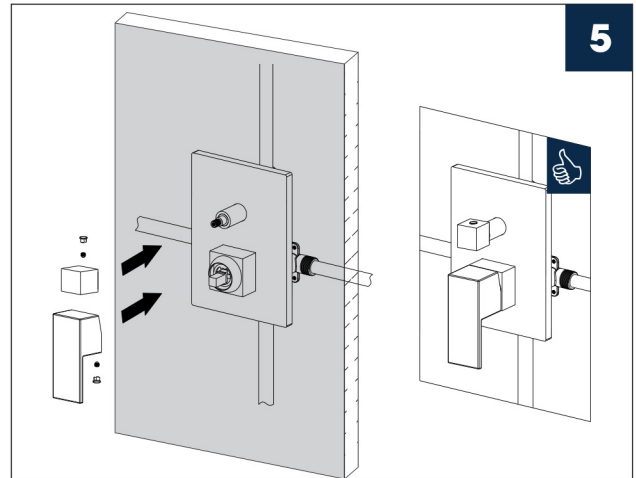
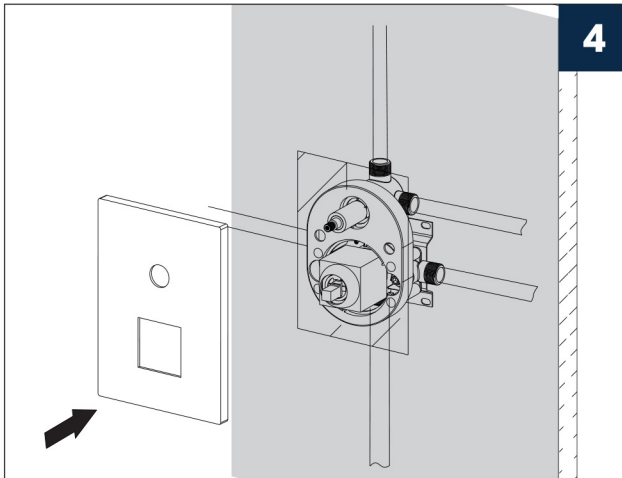
We recommends using a professional plumber for all installation and repair. Please inform yourself about the canadian plumbing code`s regulations and your local municipality plumbing codes before installation. the canadian plumbing code requires the installation of surge arresting devices to eliminate water hammering. allow an adequate opening in order to easily access connections or other plumbing devices for maintenance or repair.

BEFORE YOU BEGIN



INSTALLATION WAY







THE ANSWER TO IDEAL LIVING



Call us (9-8 EST): +1 888-257-3857

Email us (24/5) : service@casainc.com

Message us : +1 562-551-8092

For sales : dtc@casainc.com