

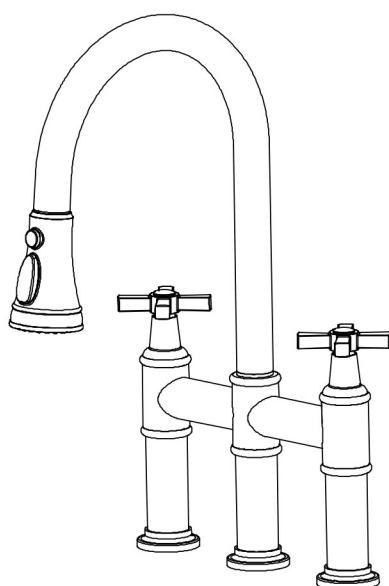


THE ANSWER TO IDEAL LIVING

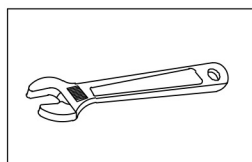
PRODUCT INSTALLATION MANUAL

WHEN IT COMES TO HOME, THIS IS THE BEST ANSWER.

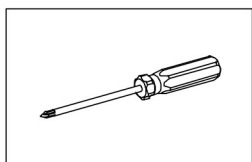
Kitchen Faucet Installation



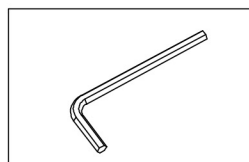
Tools You Will Need :



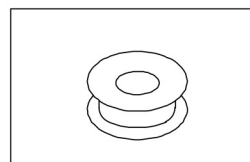
Adjustable wrench



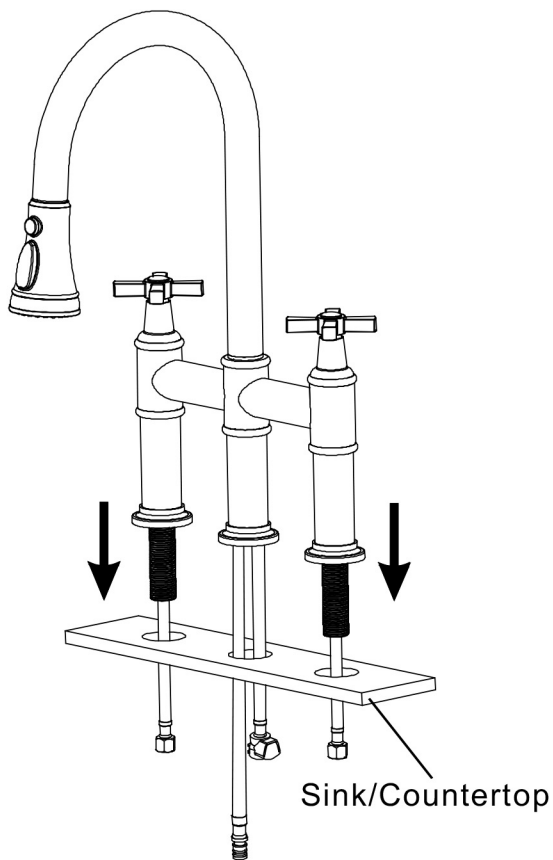
Philips Screwdriver



Hexagon Wrench

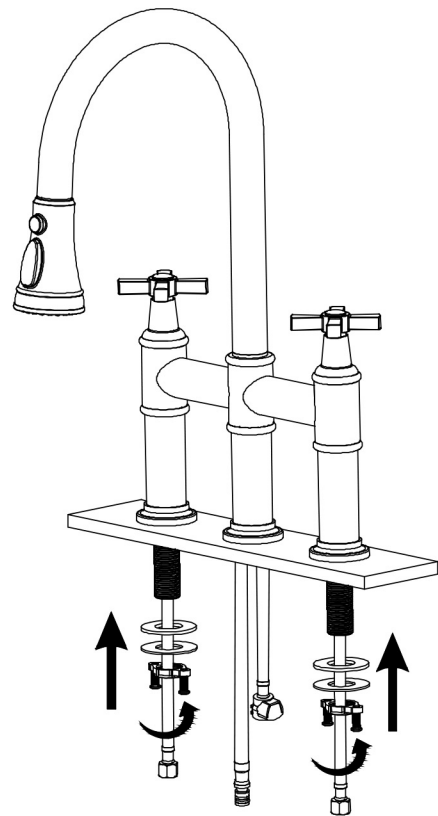


Pipe Tape



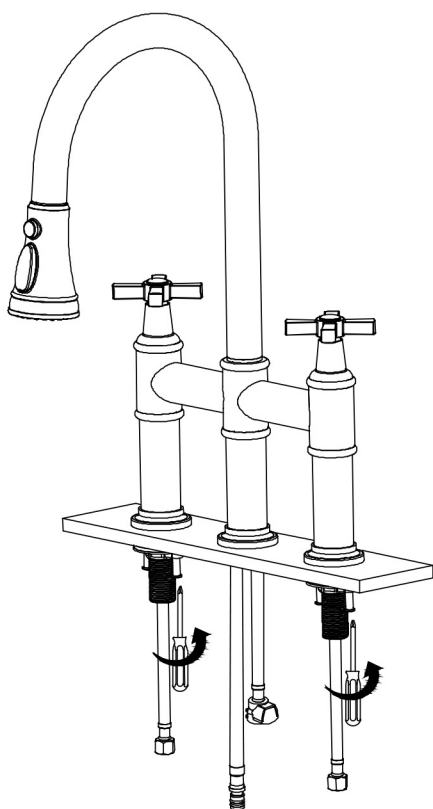
Step1:

Get all hoses through the sink/countertop hole.

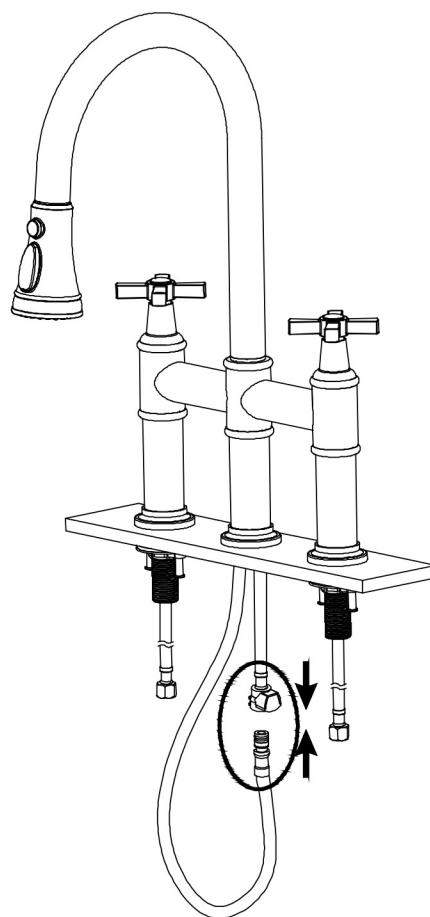


Step2:

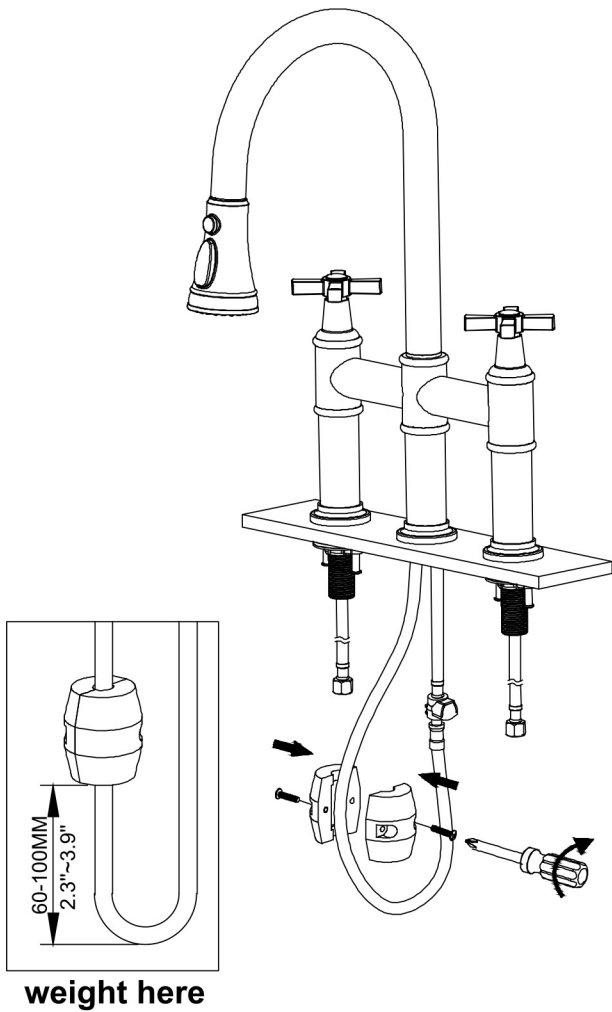
Put the gaskets and steel washer and nut in sequence through the hose.



Step3:
Then tighten the screws.

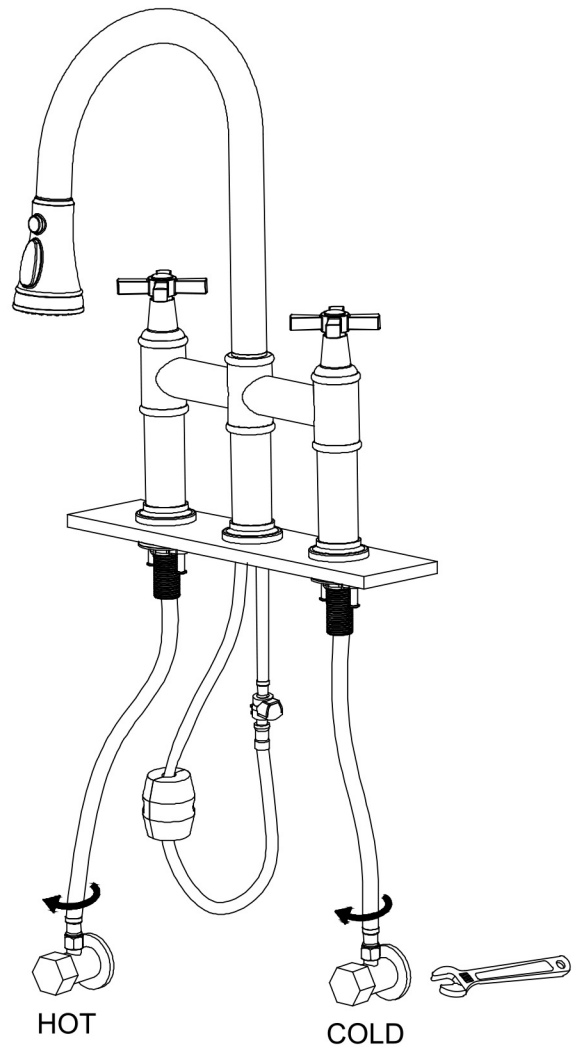


Step4:
Connect spray hose to quick connector attached to supply line.



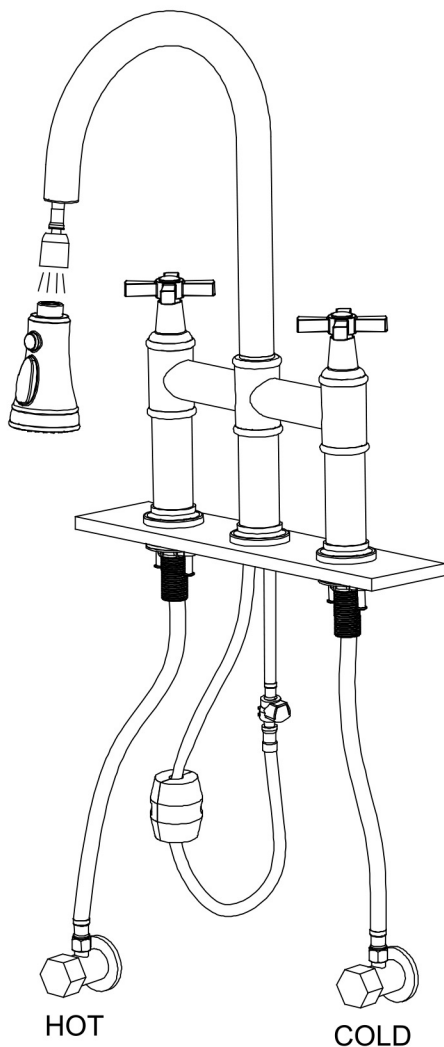
Step5:

Install the weight near the end of the pull-down hose (The optimal place is about 2.3-3.9 inches from the lowest of the pull-down hose).



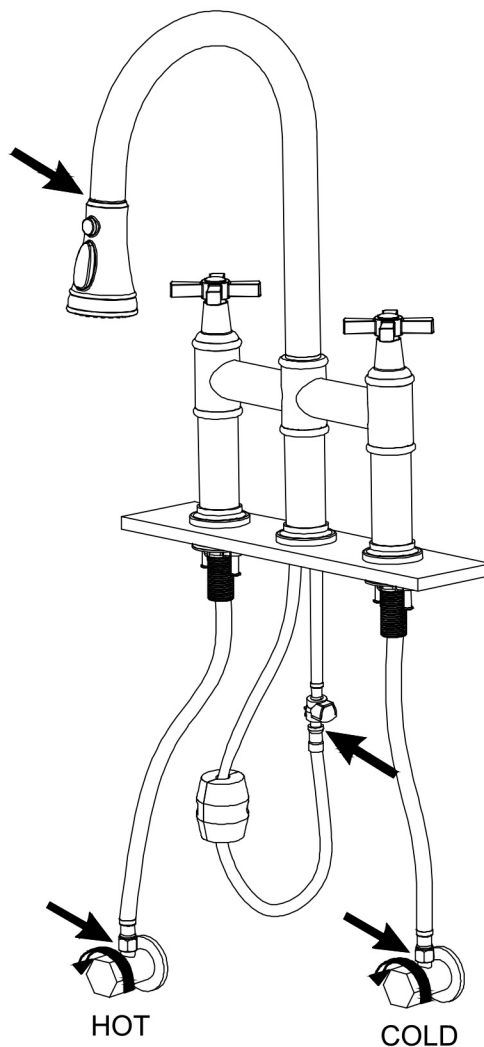
Step6:

Tightening the supply hoses and separate them to the pull-down hose in case that the sensor doesn't work.(Tighten with a wrench until secure).



Step7:

Remove spray head from spray hose. Hold tip of spray hose. Turn faucet on and let the water run for 60 seconds to flush any debris.



Step8:

Open the angle valve and the handle to make the water flow. Check for the connections whether leak. If leaking, please re-tighten.

Notes before installation

1. Please check that all components are present
2. Before installation ensure that all feed lines are clear of debris and on/off valve is present
3. Ensure water pressure is between 20-125 PSI (includes combination of hot and cold feed lines)
4. Pictures in the manual are general in content and may not represent exactly your purchased faucet. If you are having difficulties please contact a professional plumber
5. If you will be away from home for an extended period you should shut off the main water supply.

Daily maintenance

1. Use a soft cloth and vinegar to remove hard-water spots.
2. Check aerator (if present) regularly for calcium build up when water stream is not optimum
3. DO NOT use caustic cleaning products as the use will break down finish and will void the product warranty.
4. Acceptable cleaners include vinegar or mild non-abrasive liquid detergents.
5. If the water pressure appears to be less than optimum, remove, inspect, clean or replace aerator.



THE ANSWER TO IDEAL LIVING



Call us (9-8 EST): +1 888-257-3857

Email us (24/5) : service@casainc.com

Message us : +1 562-551-8092

For sales : dtc@casainc.com