



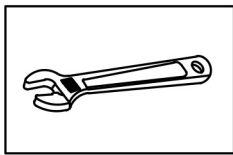
THE ANSWER TO IDEAL LIVING

PRODUCT INSTALLATION MANUAL

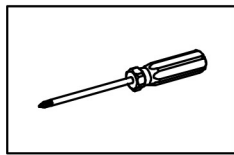
WHEN IT COMES TO HOME, THIS IS THE BEST ANSWER.

Basin Faucet Installation

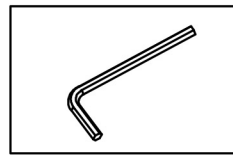
Tools You Will Need :



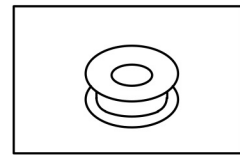
Adjustable wrench



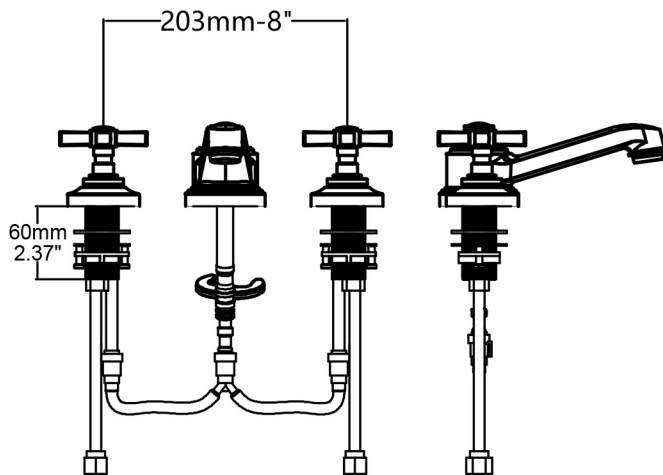
Philips Screwdriver



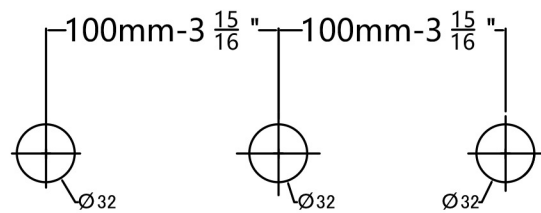
Hexagon Wrench



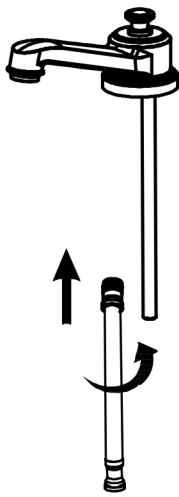
Pipe Tape



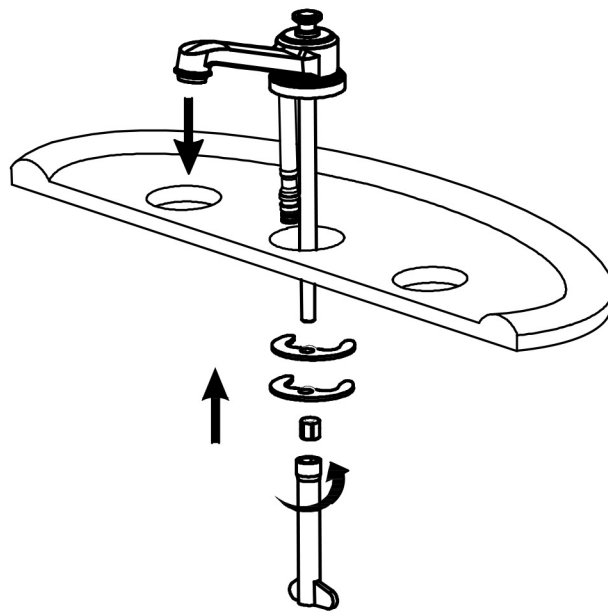
the suitable holes diameter



1

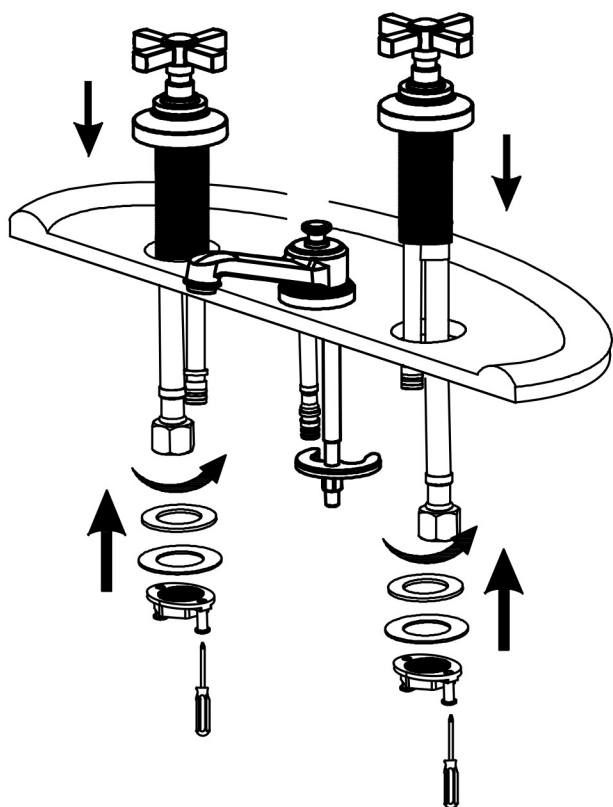


install the water line into
the faucet body



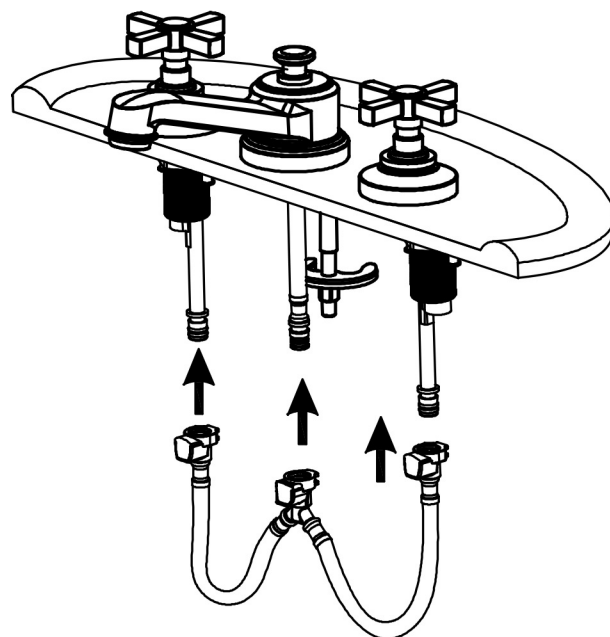
Install the spout into the center hole,
then put the rubber gasket and metal
gasket in order, then lock the locking
nut and tighten with the screw.

2



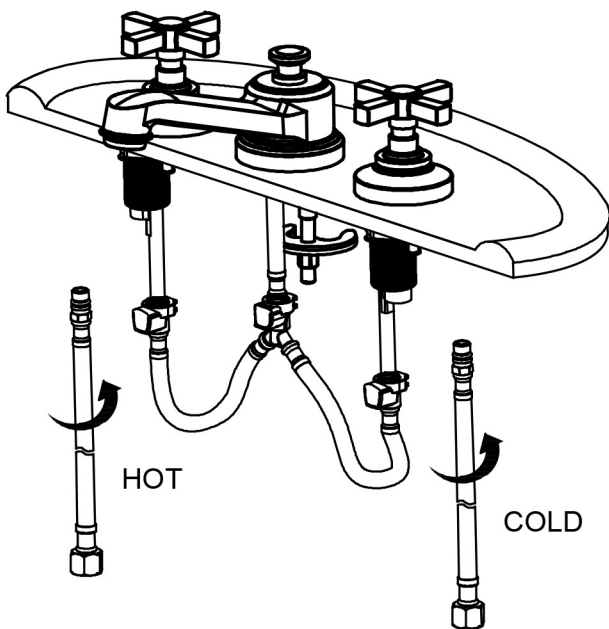
Install the handle sets into the hole at the two sides, then put the rubber gasket and metal gasket in order, then lock the locking nut and tighten with the screw.

3



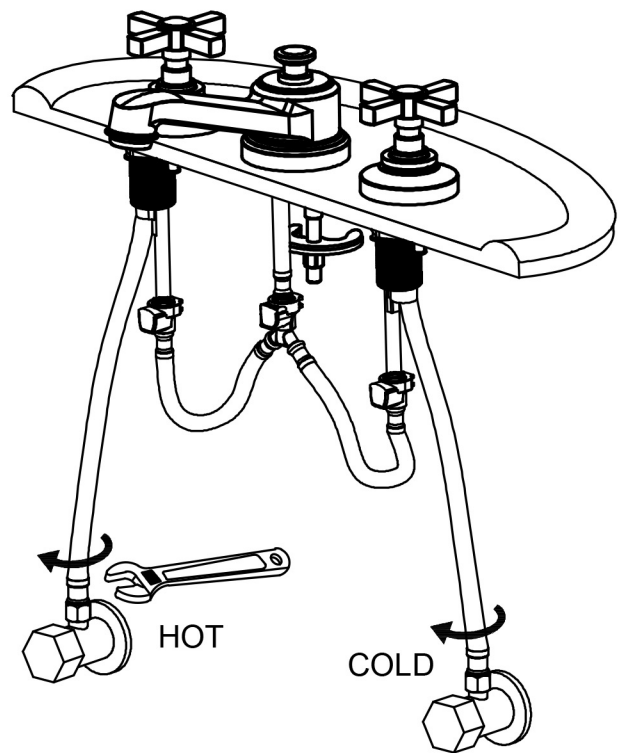
Connect the cross hose to these outlet turns.

4



Connect the supply line to the handle.

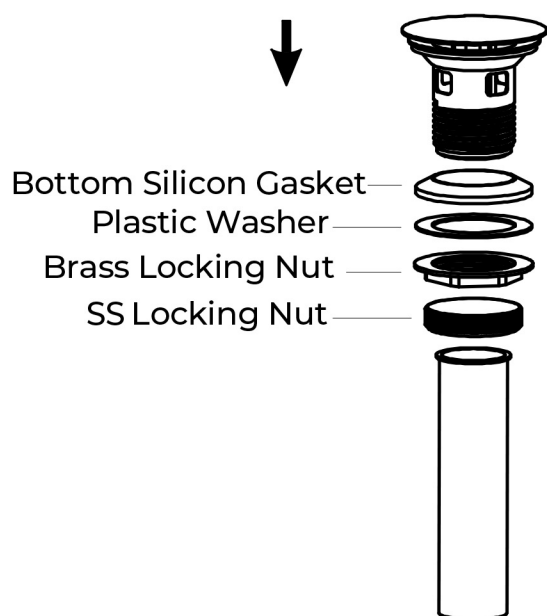
5



Tightening the supply hoses and separate them to the pull-down hose in case that the sensor doesn't work.(Tighten with a wrench until secure).

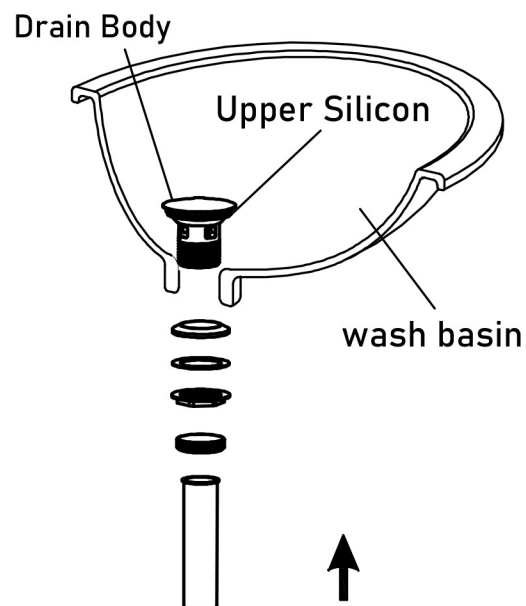
6

Pop-up Drain



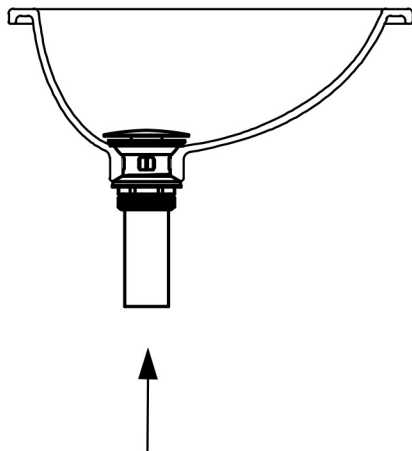
1. Remove Bottom Silicon Gasket, Plastic Washer, plastic Locking Nut From The Drain Body. Then Put The Drain Body Through The Sinkhole. Note: The Upper Silicone Gasket Don'T Need To Take Down

7



2. Put The Drain Body Into The Sinkhole, Then Tighten All Locking Fitting In Sequence As Shown.

8



to Hook up the
Household Sewer

3. Hook the Tailpiece up and fixed up to the home's sewer

Maintain

Note: Before removing the faucet, be sure to close the water pipe, open the handle, and ensure that the water valve switch is completely closed.

To keep the surface clean and bright, please clean the faucet regularly and follow the steps below:

1. Use water and a soft cloth to clean the faucet surface to return it to the best condition.
2. Use only the following cleaning agents to clean the oil stains: Soft liquid cleaner, Colorless glass cleaner, Non-corrosive cleaning wax. Do not use any aggressive cleaning agents which contain ingredients such as chlorine bleach, formic acid, acetic, or hydrochloric acid to clean your kitchen faucet. Also, avoid abrasive cleaning agents and sponges.
3. When cleaning, rinse off the detergent on the faucet surface with water in time, and wipe it dry with a cotton cloth.
4. Remove the bubbler regularly to flush to avoid clogging.



THE ANSWER TO IDEAL LIVING



Call us (9-8 EST): +1 888-257-3857

Email us (24/5) : service@casainc.com

Message us : +1 562-551-8092

For sales : dtc@casainc.com