



INSTALLATION MANUAL

Luxury Shower System

Customer Service

Email: contactus24service@gmail.com

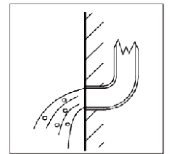
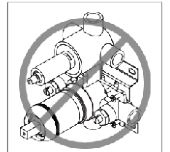
Phone:(951)213-4742



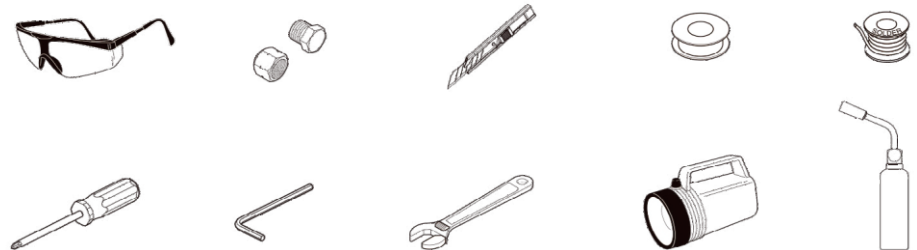
Model:KCHS0051

◆ Installation Condition

1. Check the accessories list to verify that all parts are complete in this package.
2. Do not disassemble the shower valve body by yourself.
3. Connect inlet pipes to supply valves.
4. Make sure inlet pipes and supply valves have no impurities and are cleaned, with no impurities in the pipeline.
5. After installation, check all joints for leakages.
6. Do not leave the rain shower system exposed to a severely corrosive environment.

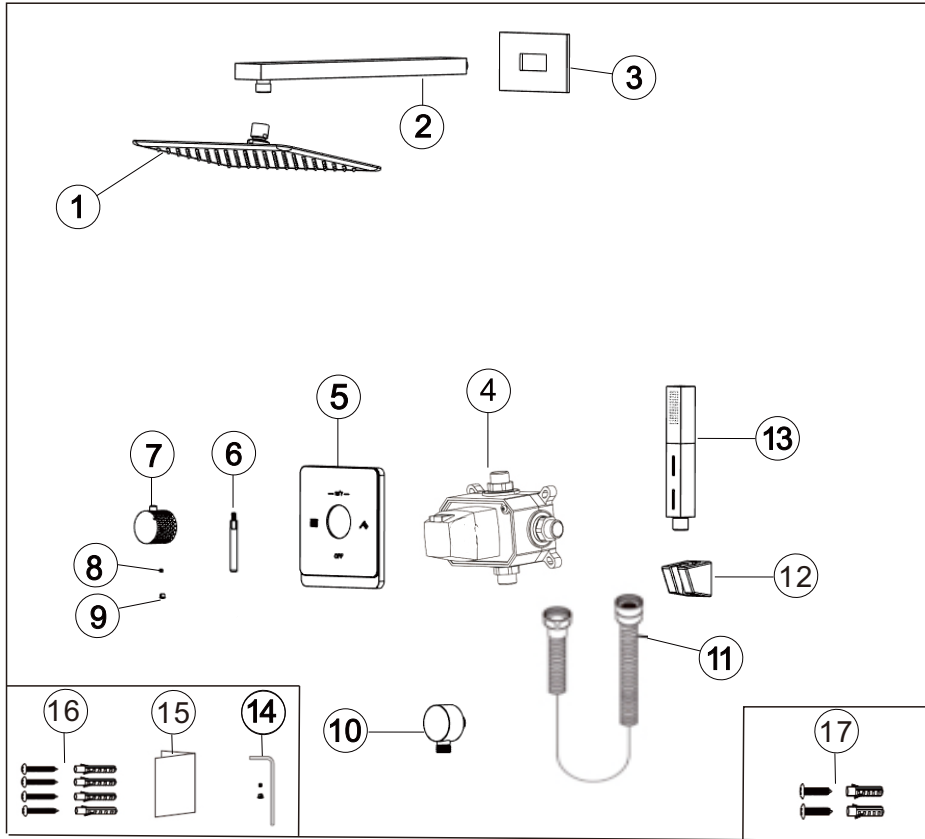


YOU MAY NEED:



◆ Two-function Rain Shower System

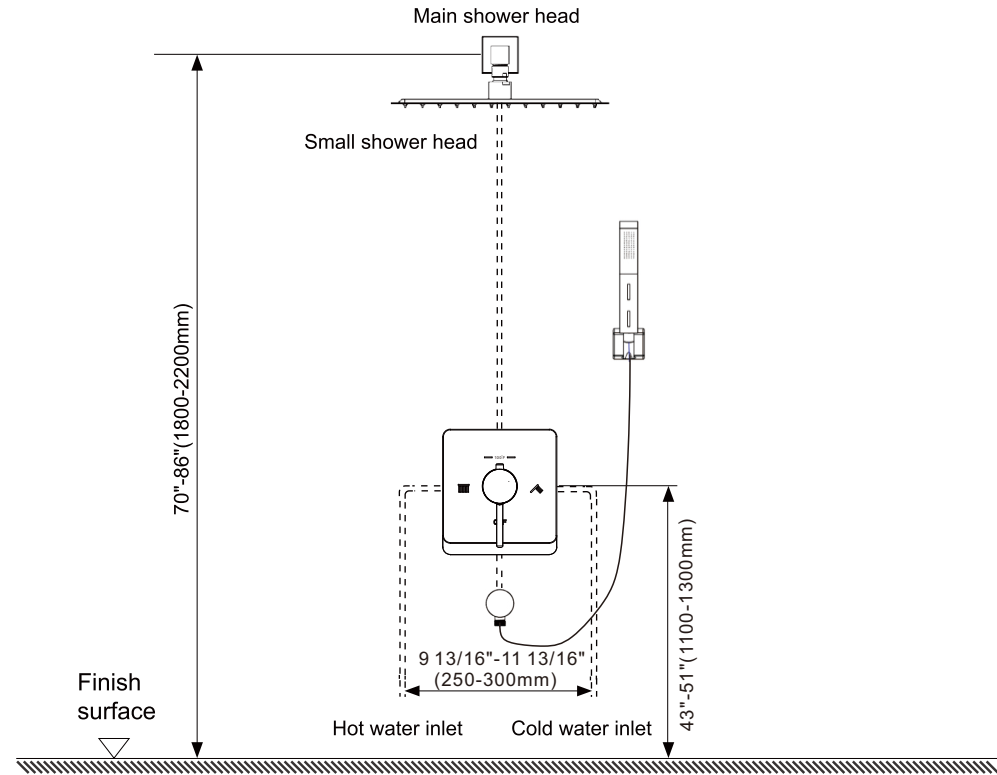
Accessories List



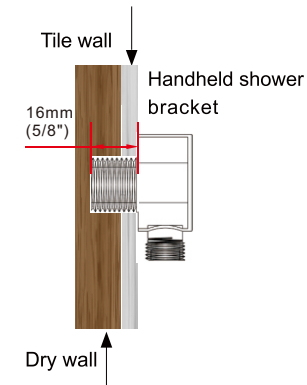
No.	Part name	Qty	No.	Part name	Qty
1	Main shower head	1	12	Hand shower holder	1
2	Main shower arm	1	13	Hand Shower	1
3	Shower arm flange	1	14	Shower valve body spare parts	1
4	Main body	1	15	Instruction manual	1
5	Trim plate	1	16	Main body set screw	4
6	Toggle lever	1	17	Shower bracket locating screws	2
7	Temperature knob	1			
8	Knob screw	1			
9	Handle cap	1			
10	Sprinkler head	1			
11	Shower hose	1			

◆ Essential dimensions & water pipe line

Unit:mm/inch



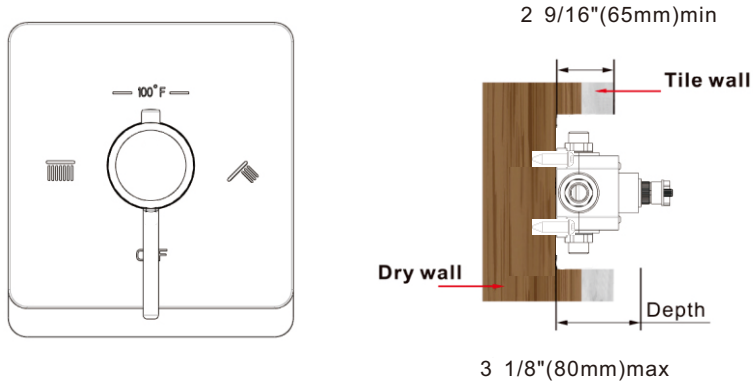
◆ The installation depth of handheld shower bracket



The thickness of the tile must be calculated for installation.
Connector size of male thread:USA:1/2"-14NPT.Canada:1/2"-14NPT.

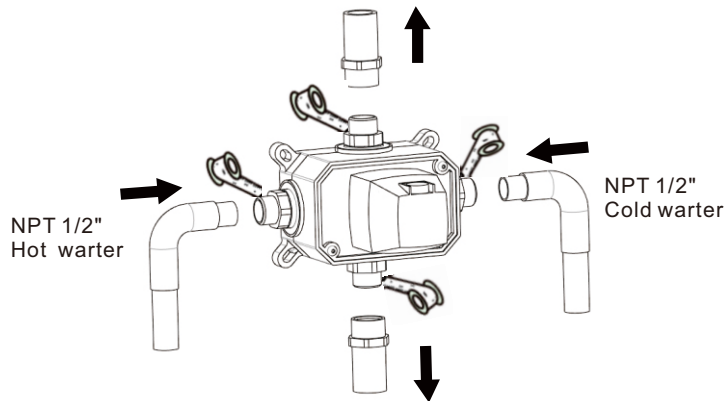
◆ Installation Depth Of Shower Valve Body

Unit:mm/inch



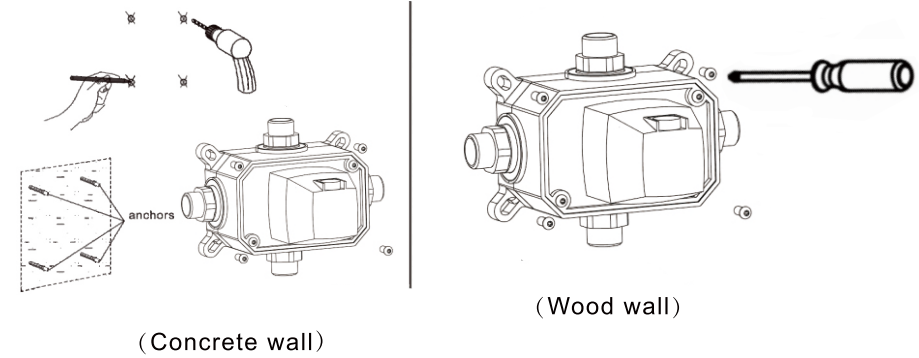
- Notice:1. The installation depth of the shower valve body should be no less than 2 9/16"(65mm)and no more than 3 1/8"(80mm), including the thickness of the tile. Otherwise,the trim plate cannot be installed.
2.The opening size of ceramic tile shall be smaller than the trim plate size.

◆ Piping Instructiong Before Tiling



- 1.As shown in the figure,the inlet and outlet pipes are pre-buried.Please pay attention to the correct direction when installing the pre-buried shower valve body.
- 2 Before tiling,turn on the water to test whether the left and right inlet pipes are tightly connected without leakage. Then adjust the flow switch to the "on"position to check for leaks in the mixed outlet pipes.

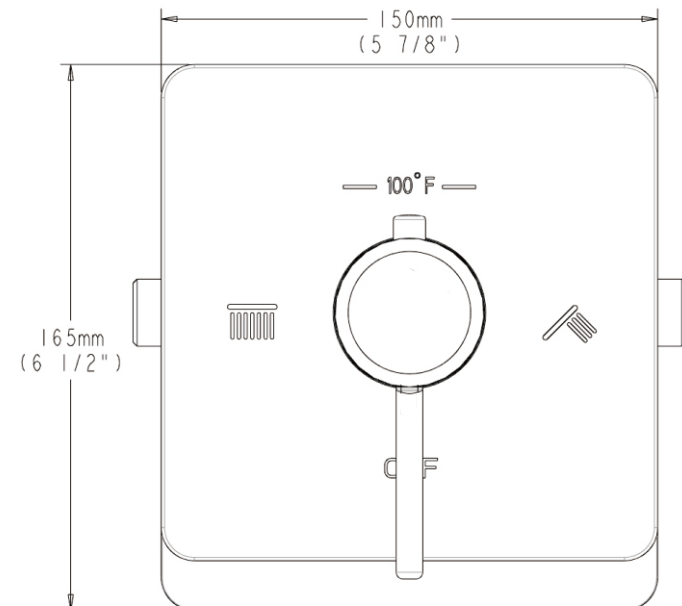
◆ Shower Valve Body Installation



- 1.Make marks according to the size of the shower valve body valve,and then drill anchors into the wall(concretewall).
 - 2.Lock the shower valve body to wood directly with screws(woodwall).
 - 3.When installing the shower valve body,please mark the UP side up and do not install it upsidedown.
- ▲ Please note that the level meter should be parallel to the wall; otherwise,the trim plate cannot be installed.

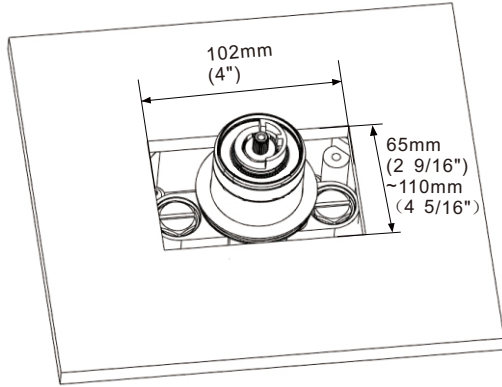
◆ Main panel size

Unit:mm/inch



◆ Cut the holes and put up the tiles

Unit:mm/inch

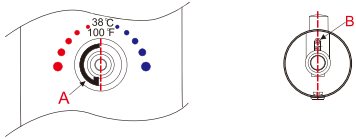


◆ Precautions for handwheel installation

※1:The line can't misplace,it should be kept in a line,otherwise the water temperature of 100°F or 38°C will not be correct.

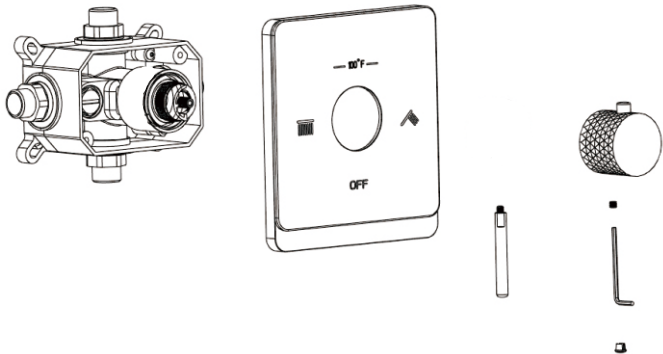


※2:Please ensure thatA Plastic locating ring and B handwheel locati pin kept in the same line with 100°F or 38°C.Otherwise,the water temperature will be wrong.

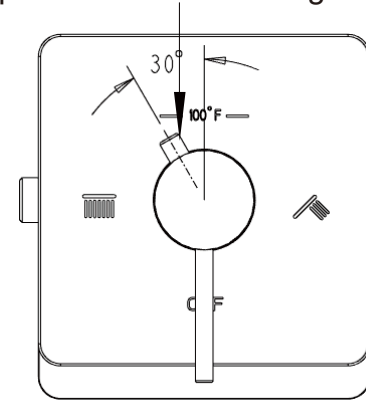


- 1.Please install deck plate, water diverters and water diverter rods step bu step.
- 2.Install the handle with the screw and handle cap.

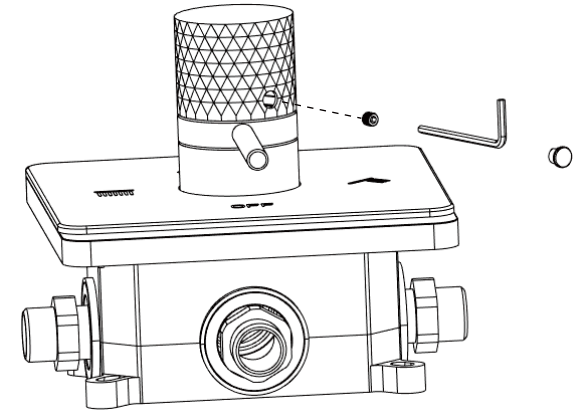
◆ Install panels and handles in order



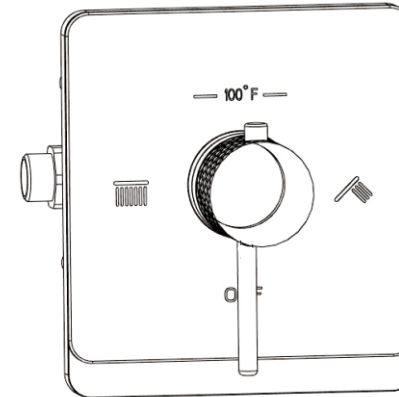
◆ Press the button down and turn the temperature knob 30 degrees to the left.



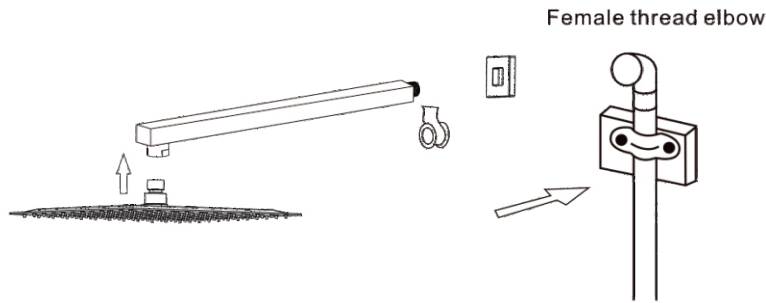
◆ Rectify the position of the temperature knob and lock it with a tool.



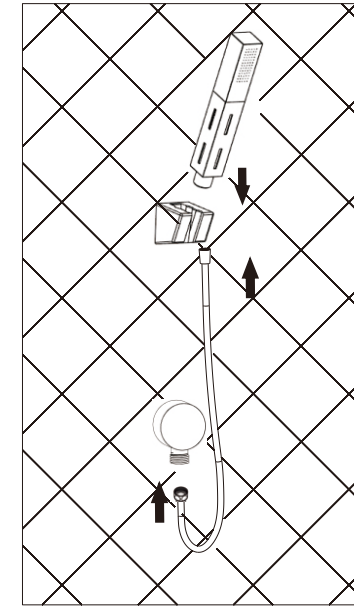
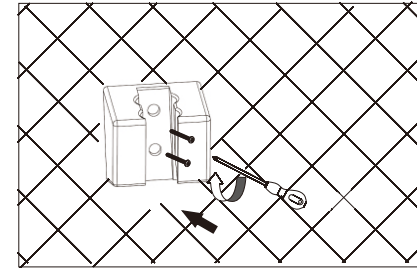
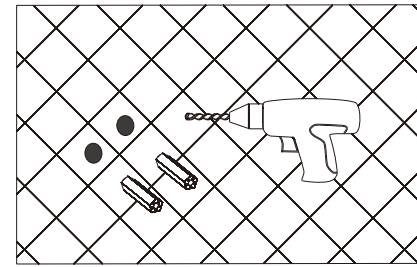
◆ Completion of the main body of the installation



◆ Installation Of Main Shower Head And Shower Arm

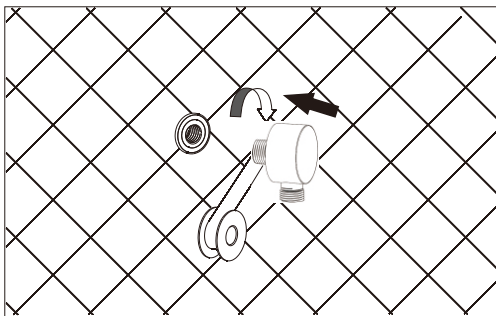


1. Connect shower arm with the cover before screwing arm into riser connection to prevent damage.
2. Fix shower head onto shower arm and apply tape to pipe threads on both ends.
3. Do not overtighten shower head. It is 360° swivel connection.



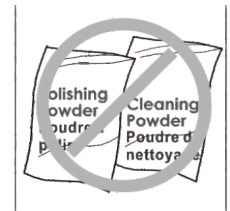
◆ Installation The Handle Shower Bracket

fix the body with the special-shaped wrench.



Do's

1. In order to keep the mixer surface bright, please clean the mixer regularly.
2. Rinse the faucet with clean water and wipe it with a soft cotton cloth.
3. Use one of the following cleaners to remove dirt from the surface:
 - a. Mild liquid cleaner.
 - b. Colorless glass cleaner and powder cleaner that do not cause abrasion and can be dissolved completely.
 - c. Polish liquid that does not cause abrasion.



Don'ts

- a. Avoid using cleaning powder, harsh cleaning chemicals, brushes and coarse cloth to prevent scratching and friction.
- b. Do not use acid cleaners to clean the faucet as they may cause surface corrosion of the faucet. If the faucet is exposed to harmful acid substances, please rinse it immediately with water.