



INSTALLATION MANUAL

Luxury Shower System

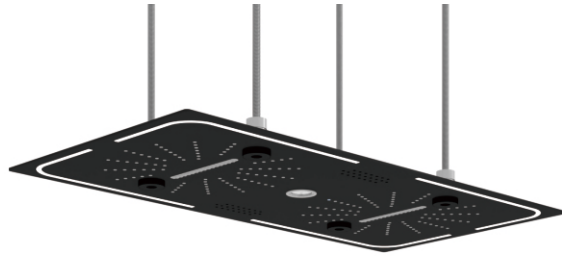
Customer Service

Email: contactus24service@gmail.com

Phone:(951)213-4742

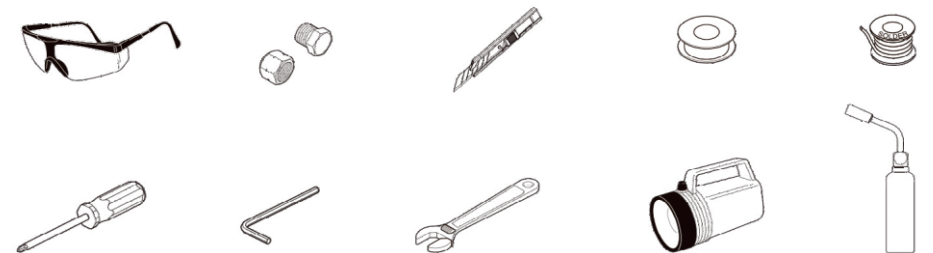
◆ Installation Condition

1. This machine should use top water and should not use unfiltered and untreated dirty water, otherwise it may cause it may cause damage to the valve of the machine.
2. The normal water pressure of this product is 0.1Mpa~0.6Mpa. For safety reasons , if it exceeds 0.6Mpa water pressure, please install a pressure reducing valve to ensure the normal use of the system.
3. This product does not have heating function. It is recommended to use thermal storage, solar water heaters or centralized heating as the heat source .The maximum hot water temperature that this product can withstand is 85°C(185°F). If not necessary , it is recommended to adjust the hot water temperature below 65°C (149°F) .
4. To ensure safety , please feel the water temperature with hand before taking a bath.



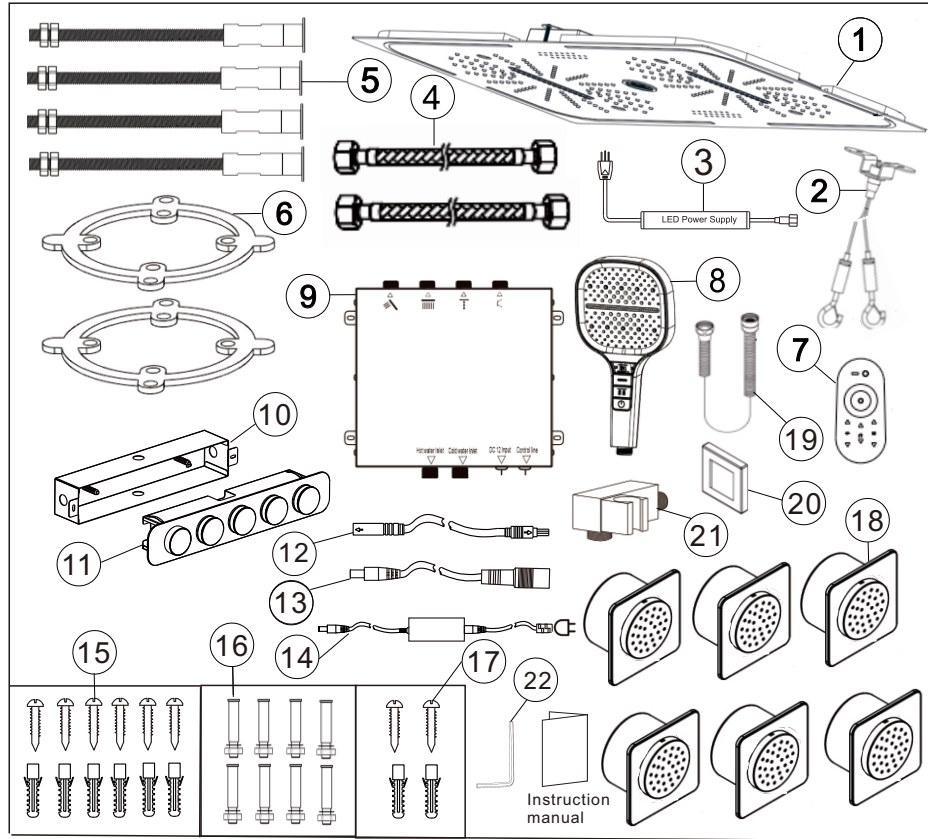
Model:KCHS0050

YOU MAY NEED:

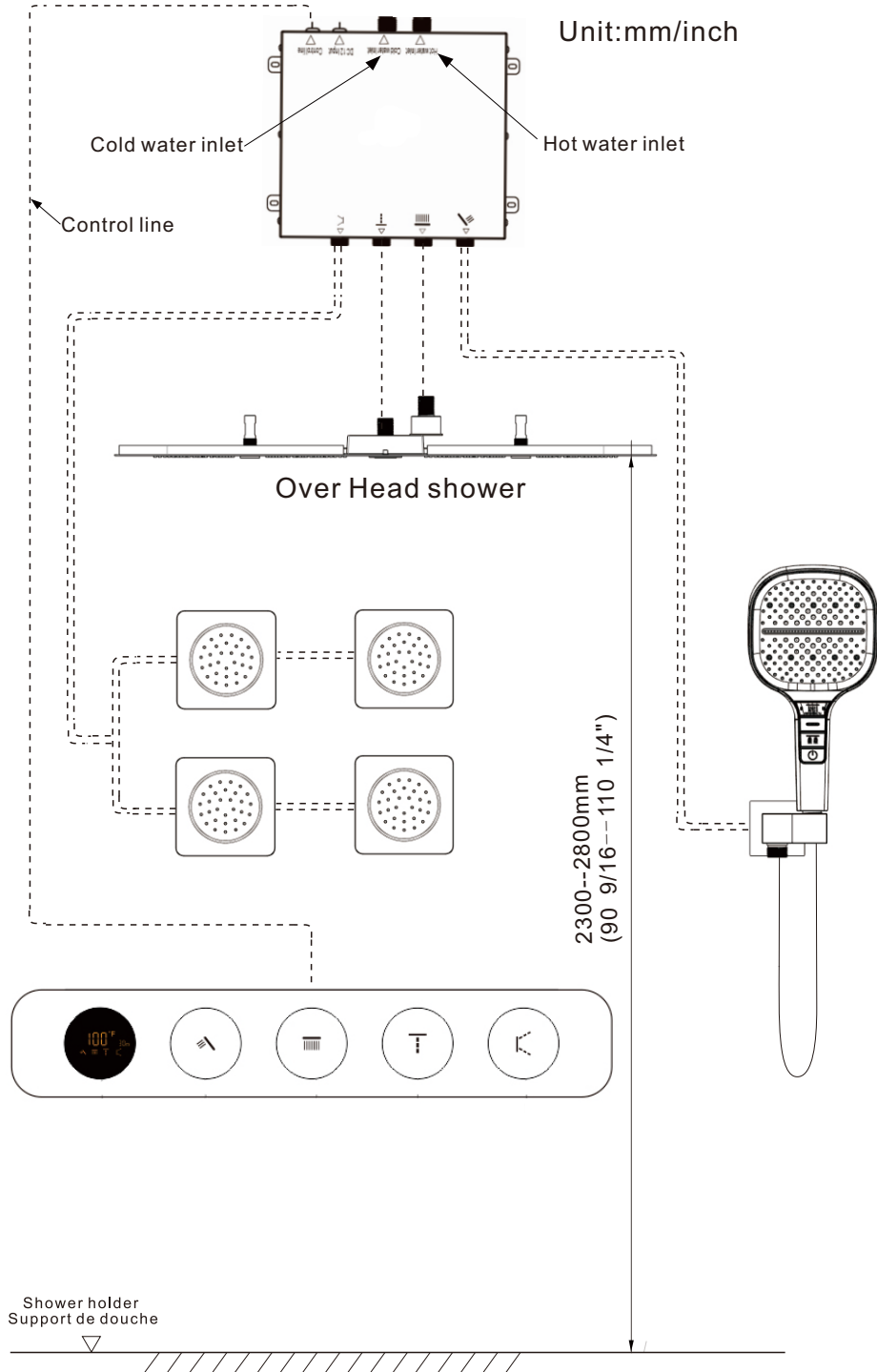


◆ Four-function Rain Shower System

Accessories List



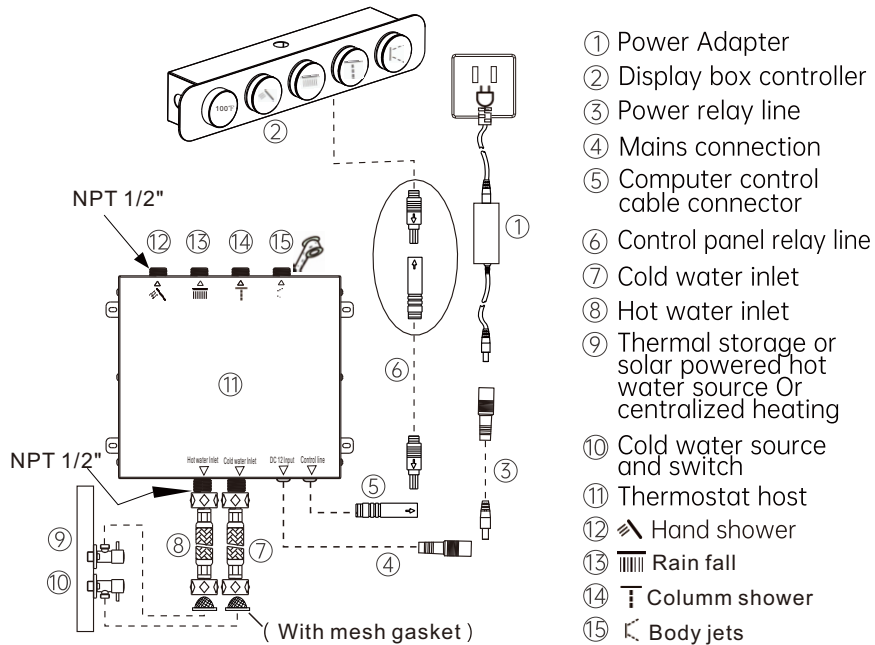
◆ Essential dimensions & water pipe line



No.	Part name	Qty	No.	Part name	Qty
1	Main shower head	1	12	Control panel relay line	1
2	Safety rope	1	13	Power relay line	1
3	LED Light Controller	1	14	Power adapter	1
4	Shower head hose	2	15	Thermostat body fixing screws	6
5	Ceilling pole	4	16	Shower mounting screws	8
6	Shower Installation Hanger	2	17	Safety rope screws	2
7	Lighting controller	1	18	Body jets	6
8	Hand Shower	1	19	Shower hose	1
9	Thermostat host	1	20	Decorative cover	1
10	Embedded box	1	21	Hand shower holder	1
11	Control keypad	1	22	Shower mounting wrench	1

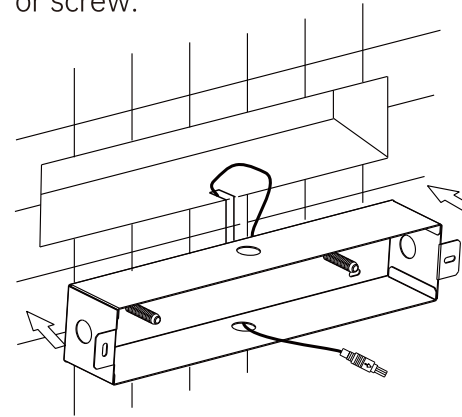
System Introduction

This electronic thermostat shower is intelligent and can automatically adjust the water temperature and flow according to the user's setting and maintain a constant temperature shower supplies. It is composed of display box controller, power adapter, thermostat host and water outlet etc.

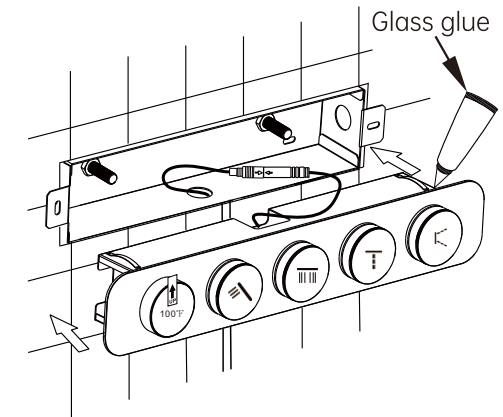


- ① Power Adapter
- ② Display box controller
- ③ Power relay line
- ④ Mains connection
- ⑤ Computer control cable connector
- ⑥ Control panel relay line
- ⑦ Cold water inlet
- ⑧ Hot water inlet
- ⑨ Thermal storage or solar powered hot water source Or centralized heating
- ⑩ Cold water source and switch
- ⑪ Thermostat host
- ⑫ Hand shower
- ⑬ Rain fall
- ⑭ Column shower
- ⑮ Body jets

03 After the power cord passes through the through-hole of the embedded box, install the embedded box into the slot and fix it around with cement filling or screw.



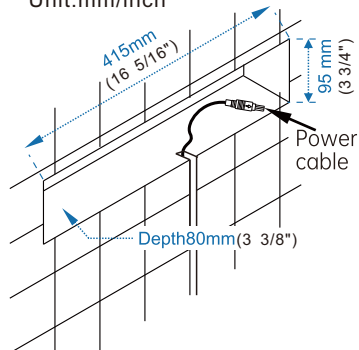
04 Insert the control wires in opposite directions, Press the display box controller into the embedded box, put glass glue on all sides, complete the installation.



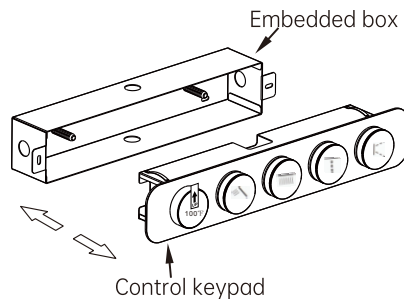
Controller box Installation

01 Slot according to the diagram in a suitable location on the wall, and reserve space for placing power cords.

Unit:mm/inch



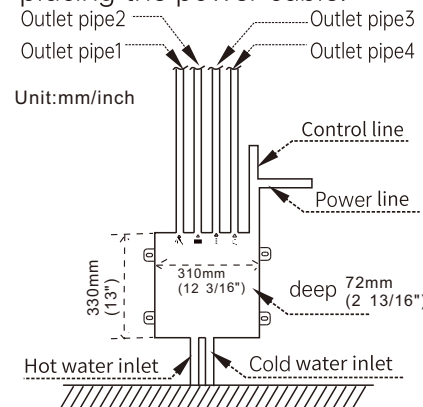
02 Separate the embedded box, Control keypad.



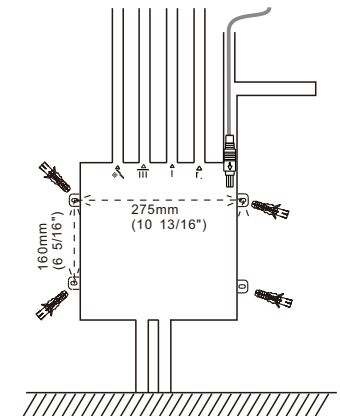
Thermostatic control box installation

There are two host installation methods: concealed wall mounting and installation on the ceiling partition. placed on the ceiling compartment, Directly connect the water pipe and power supply, the following figure mainly introduces the embedded installation

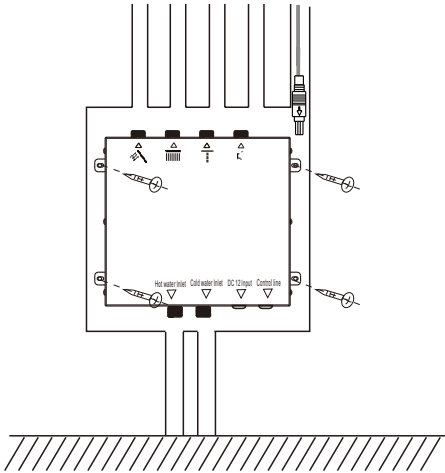
01 Slot the appropriate position on the wall according to the diagram, and reserve space for placing the power cable.



02 Drill four holes with a diameter of 8mm (5/16") into the slot and insert the mounting plug.

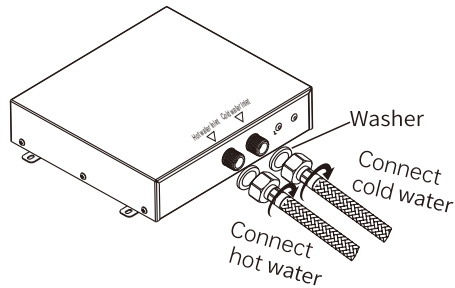


03 Put the thermostatic control box into the slot, and then tighten it with ST4*25 large flat head screws so as to ensure that the control box is connected with the inner wall of the groove maintain flat.



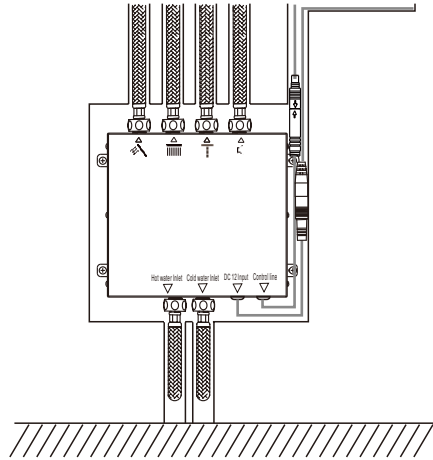
Attention:

1. Connect the NPT 1/2" hot and cold water inlet pipes to the host box, tighten it and make sure connection is well sealed.



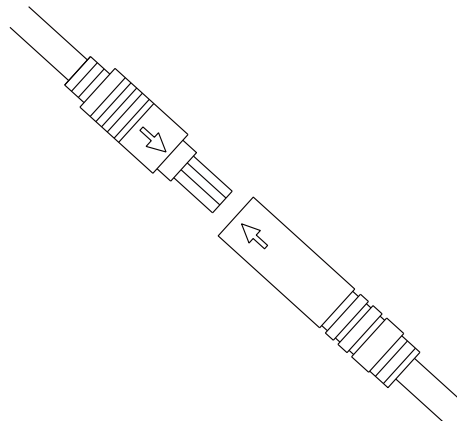
2. Filter rubber pad should be put inside the pipe connector of hot water and cold water. the water with the washer, this way could avoid water leakage on water outlet pipe connector.
 3. Hot and cold water pipes cannot be connected wrong, otherwise the system cannot work properly!

04 Connect the water pipes and power cables of the control box, connect the water supply, and ensure that the pipes do not leak. Connect the cable of control panel line. then seal the wall with cement and cover the tile.

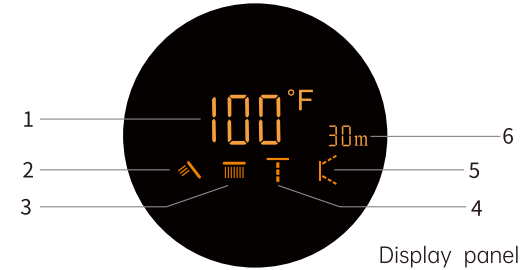
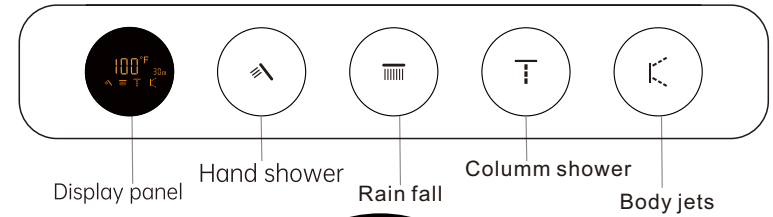


Attention:

The plug-in cable must be aligned according to the arrow shown in the diagram in order to be inserted, otherwise it will damage the plug.



Display instructions



- 1. Temperature
- 2. Hand shower
- 3. Rain fall
- 4. Column shower
- 5. Body jets
- 6. Countdown indicator

Operating instructions

Standby Status

When all functions are turned off while powered on, the system automatically enters standby mode, Display panel and shuttle backlight turned off.


Power On

When system is in standby, short pressing the any shuttle button to activate the system and display screen shows current water temperature water flow (default is L5), water out from hand shower, default working time is 60 minutes.

Power off

- (1) Turn off the device after the start timer is over;
- (2) Short press the shuttle to turn off all water outlets one by one and automatically shut them down;
- (3) Press and hold any shuttle for 3 seconds after turning on to quickly shut down, Close all effluent at once; After shutting down, all displays and lights will be turned off. Within 5 minutes after shutting down, power on again to use the parameters set last time, and then power on again 5 minutes after shutting down to restore the default parameters (temperature settings, flow settings).


Temperature

Rotating display box in power on state  can set water TEMP, Screen shows " **set** ", The set water temperature is displayed above the display screen, Turning the Right Shuttle to Increase Water Temperature, Turn left to lower the water temperature, If there is no operation for 5 seconds, exit the water temperature setting and display the current water temperature.


Water Temp Range: 25~45°C(77°F~113°F)

Shuttle backlight indication: When water TEMP < 34°C(93°F) Shuttle switch lights up blue light, When in the range of 34~40°C(93°F~104°F), the shuttle emits a bright orange light, Water Temp > 40°C(104°F) bright red light. (Display the set temperature color when adjusting the temperature, and restore the display of water temperature color after 3 seconds)

When the temperature is adjusted to 25°C(77°F), Left-handed display box





 Half circle will enter cold water mode, screen shows **COOL**, Under cold water mode, Right-Handed half circle will quit cold water mode, After quit out cold water mode, temperature setting 25°C(77°F), Automatically exit cold water mode when turned off in cold water mode, and restore default temperature of 38°C (100°F) when turned on again.

Flow

Under power on state, rotate shuttle  can setting flow (Opened shuttle can be set, The shuttle with the backlight turned on) screen shows " **set** ", screen shows setting flow grade, Right-hand shuttle will increase the flow rate, Left-hand shuttle will decrease the flow rate, If there is no action for 5 seconds, exit the traffic setting.

Flow setting range: L1~L8.


Spray Mode Settings

Short press shuttle  to open the head shower1. Short press shuttle  to open the head shower2. Short press shuttle  to open head shower3. Short press the shuttle  to open the hand shower. Three water outlets can be opened at most at the same time. After opening the three water outlets, open the fourth water outlet. The shuttle icon that has been opened will alternately flash to indicate that no other water outlet can be opened. After starting up, long press any shuttle to quickly turn off all water and shut the controller down.

Overheat Alarm

When system power on, the water outlet is turned on and the water temperature exceeds 49 °C, temperature on the display panel flashes and the overheat protection is activated. The water outlet will be automatically turned off, and the system will be turned off after 3 seconds

Switching Between Fahrenheit And Celsius

Press and hold for 10 seconds after shutting down  Any shuttle can enter the temperature icon switching interface once, Rotating shuttle can be switched, Selected temperature icon has an underline, After selecting, long press twice to exit the shuttle or short press once to directly turn it on. Automatically exit after 20 seconds of no operation and return to shutdown state.

Timed shutdown time

Power on status, with a timed shutdown time displayed on the display screen, The unit of timed shutdown time is minutes. Automatically shut down when the scheduled shutdown time reaches 0.

Within 10 seconds after shutting down, Long press any shuttle twice to enter the timed shutdown time setting interface, Rotating shuttle can add or subtract time, setting range:30~60mins, Automatically save after 2 seconds of setting completion. You can long press once to exit or short press once to directly turn on the device. After setting, it will automatically exit without any operation for 20 seconds and return to the shutdown state.

Communication Failure

There is no connection or connection failure between the shuttle and the display box, Then it cannot be turned on, If a malfunction occurs again after turning on, it will be forcibly shut down.

Self check mode

Press and hold the any shuttle  for 5 seconds in the shutdown state for the first 20 seconds after power on to enter self-test mode.

Note: Press and hold for 2 seconds to trigger the temperature scale selection interface. Do not release it at this time until it enters self-test mode before releasing it. After entering the self check mode, the interface displays "Self Check", and after the self check is completed, "OK "or the corresponding fault code is displayed below Self Check.

Fault code description:

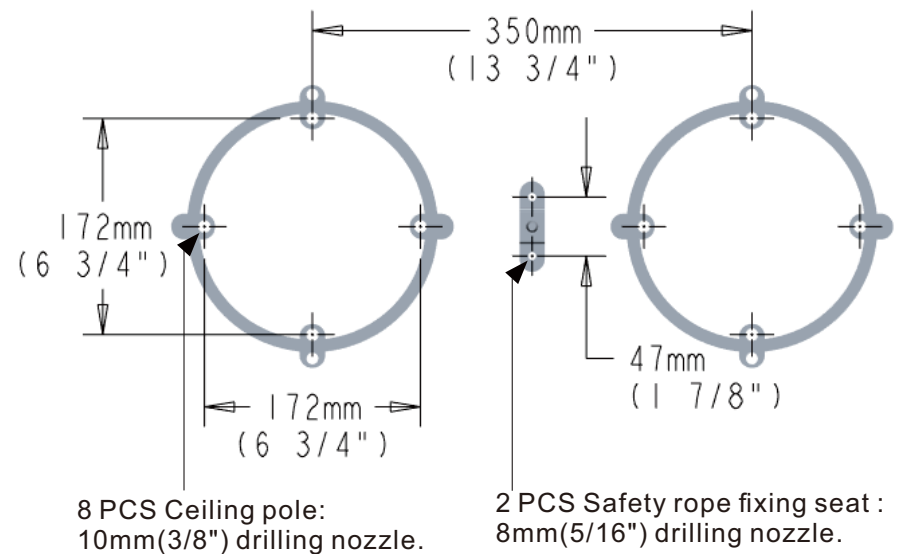
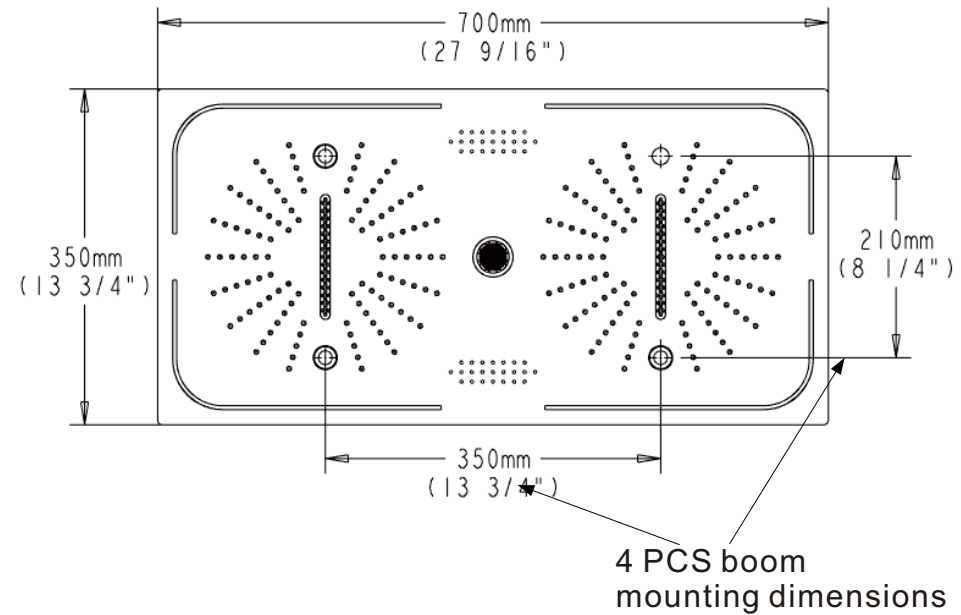
OK	No faults
F2	Does not have hot water supply
F3	Hot and cold water temperatures are the same
F4	Motor malfunction
F5	Hot and cold water connections are reversed
F6	Does not have cold water supply
F7	One-way valve malfunction, with water leakage issue, hot water Flowing through to cold water pipe
F8	Hot water low temperature

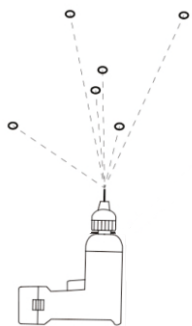
Technical Parameter

Working conditions and characteristics					
Rated voltage	AC110-240V	Rated frequency	50/60HZ	Rated Power	18W
Insulation resistance	>20MΩ	Waterproof	IPX4		
Number of load configuration orders					
Load category	Rated load voltage	Rated load frequency	Rated load power	Others	
Solenoid valve	DC12V	-	5W*4	-	
Flow valve	DC12V	-	1W	-	
Thermostat valve	DC12V	-	2W	-	

◆ Shower installation instructions

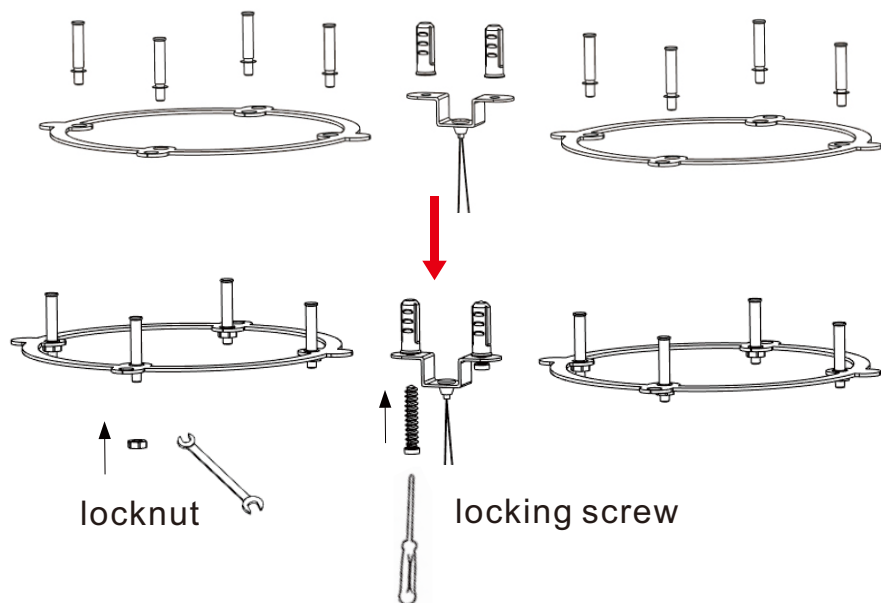
Shower size and mounting fixing hole size



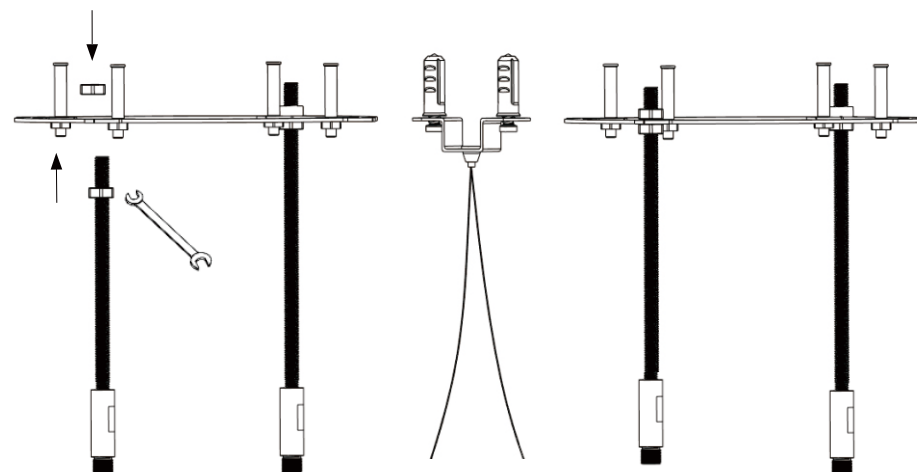


Drill holes according to the hole spacing size in the installation as shown in the diagram.

- ◆ Insert the expansion head into the concrete wall, install the suspension and screw it to the ceiling wall.



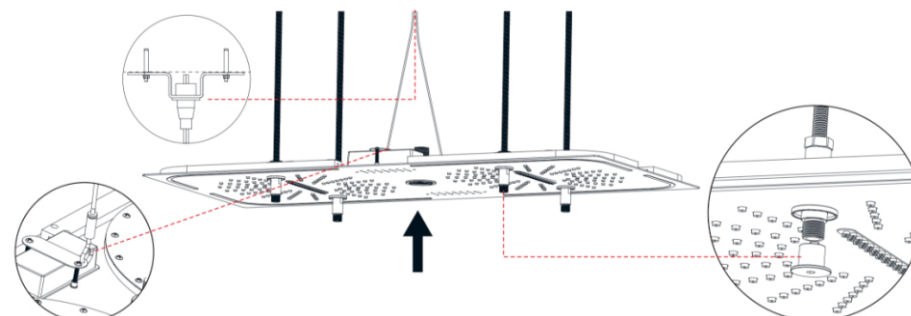
- ◆ Installation of ceiling boom



- ◆ Install the shower head body.

Tighten the safety rope fixing seat onto the ceiling

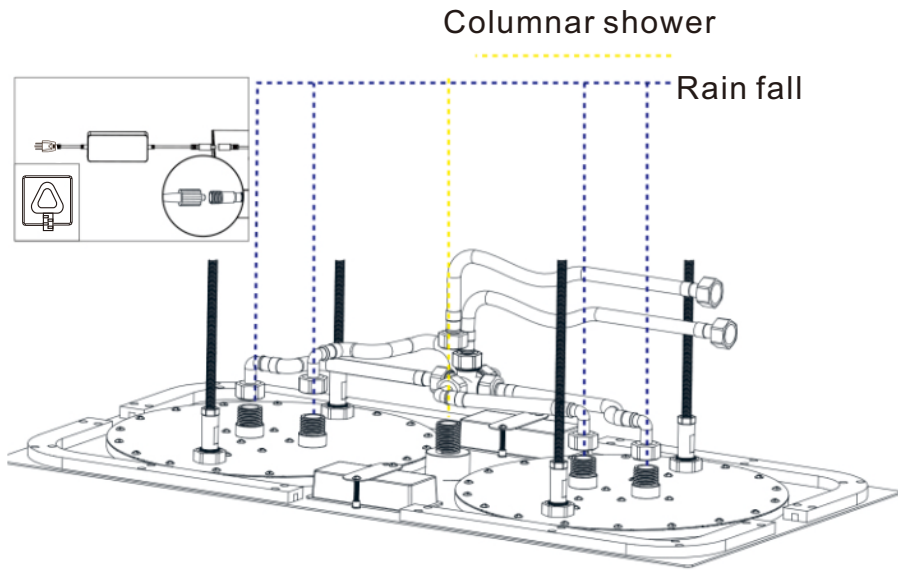
Screw in 4 suspension rod connectors



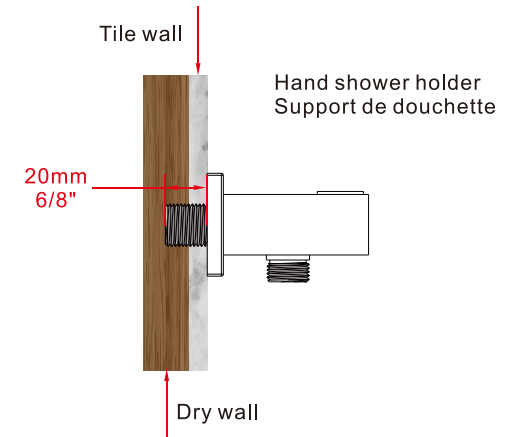
Hang the safety rope hook onto the shower head body



- ◆ Install hoses and power plug.

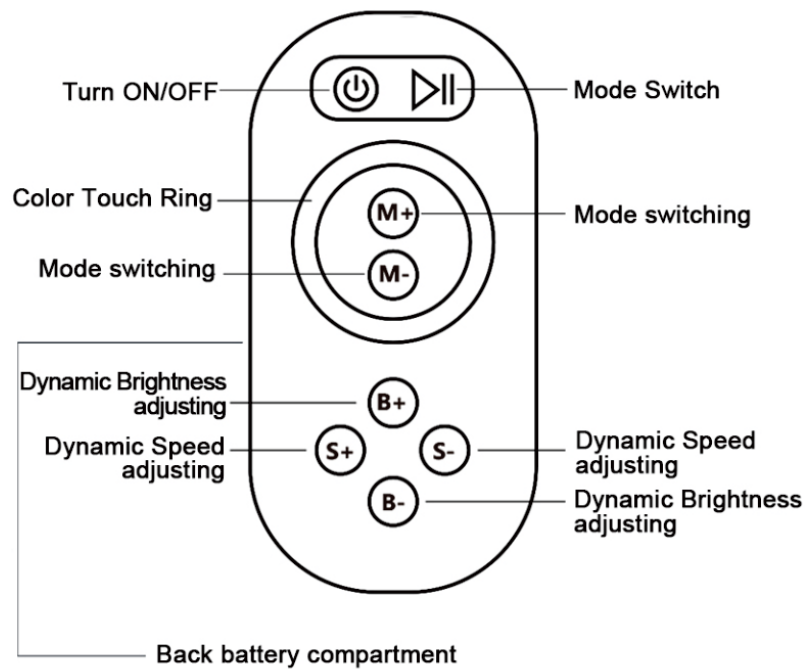


- ◆ The installation depth of handheld shower bracket

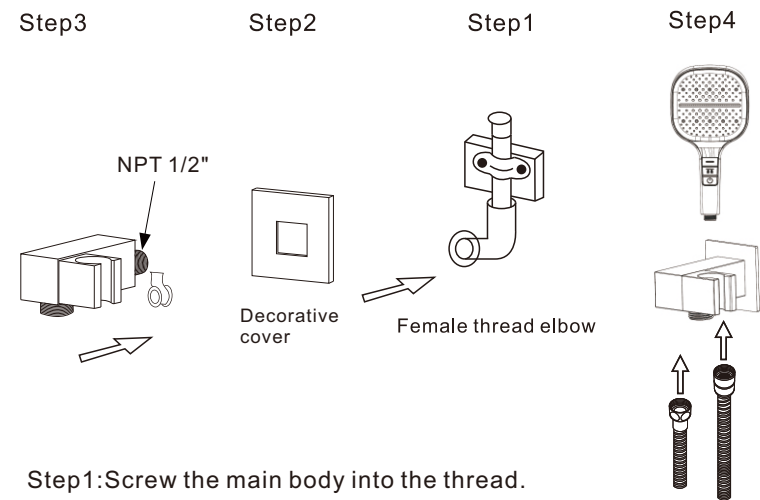


The thickness of the tile must be calculated for installation.
Connector size of male thread: USA: 1/2"-14NPT. Canada: 1/2"-14NPT.

- ◆ Lighting Remote Control Instructions



- ◆ Installation The Hand Show Holder



Step1: Screw the main body into the thread.
Step2: Connect hand shower and ghe hose.

◆ Side Spray Installation Instructions

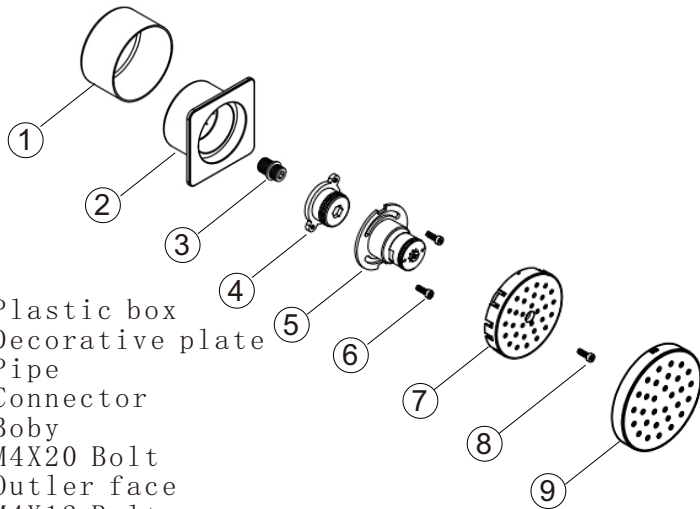


◆ Advise Tools and materials:



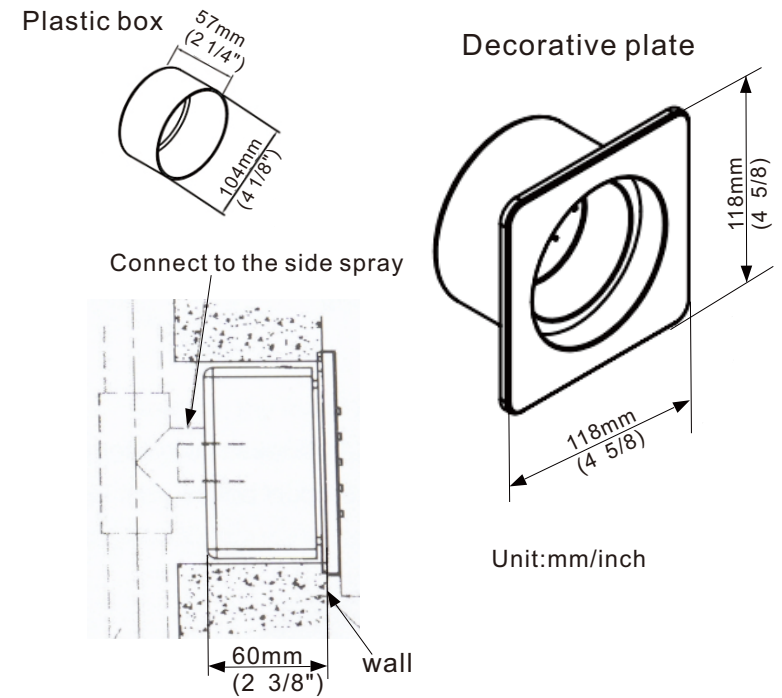
H10mm (3/8") wrench H2mm (1/16") wrench Screwdriver

◆ Mounting accessories

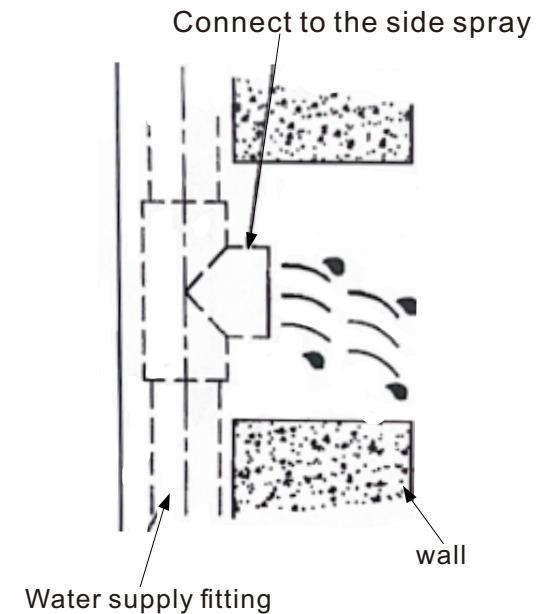


- 1、 Plastic box
- 2、 Decorative plate
- 3、 Pipe
- 4、 Connector
- 5、 Boby
- 6、 M4X20 Bolt
- 7、 Outler face
- 8、 M4X12 Bolt
- 9、 Outlet Decorative plate

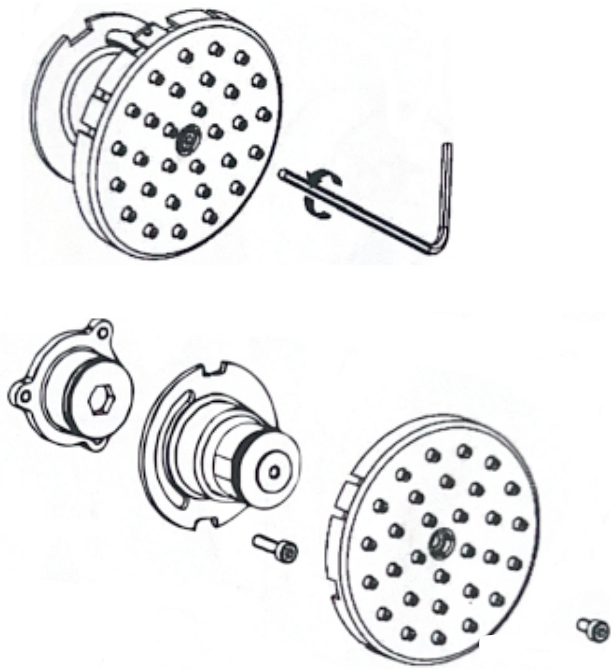
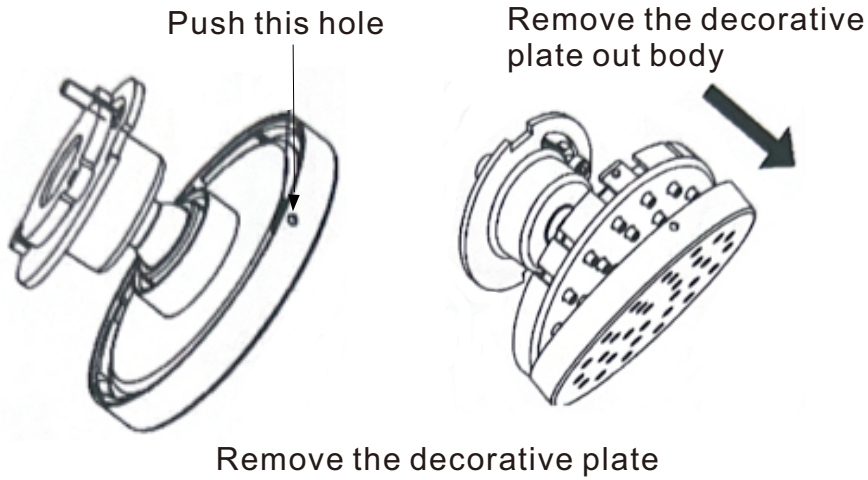
◆ See the dimension drawing below



◆ See the installation steps as follows
Flush the water supply fittings

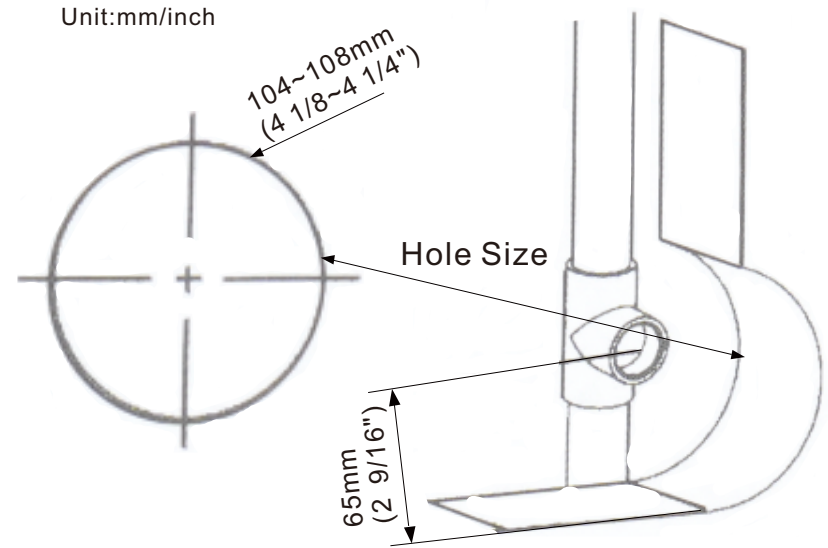


◆ Side Spray Installation Instructions

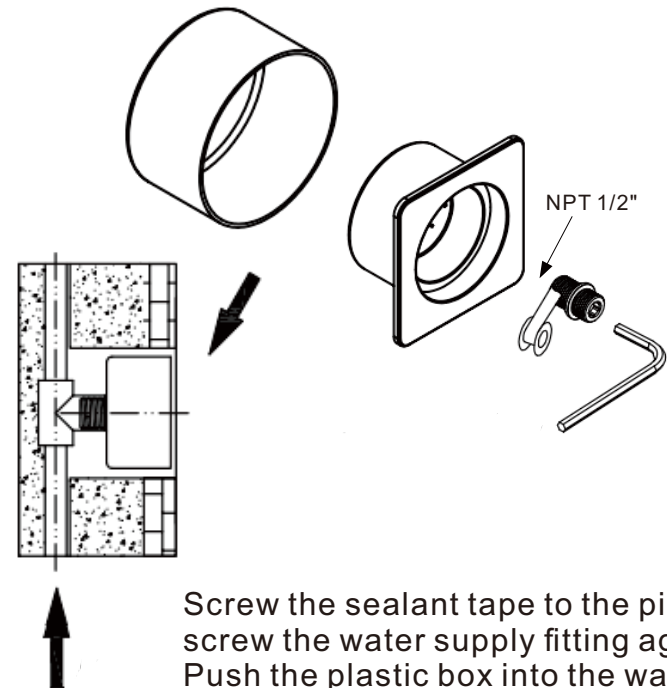


Remove the 4x12 screw and the out face
Remove the 4x20 screw and the connector body

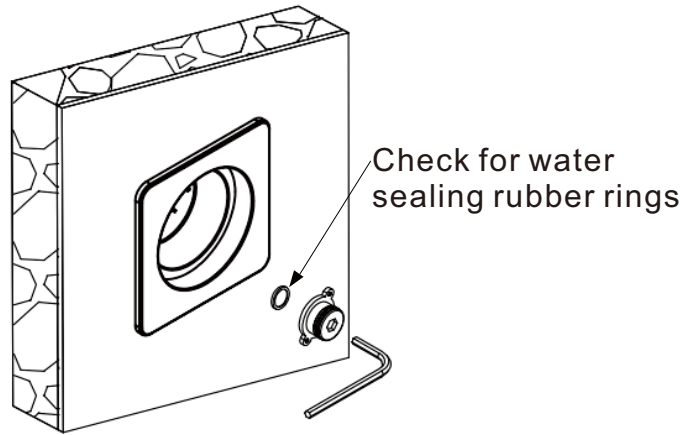
◆ Please see the installation illustration below



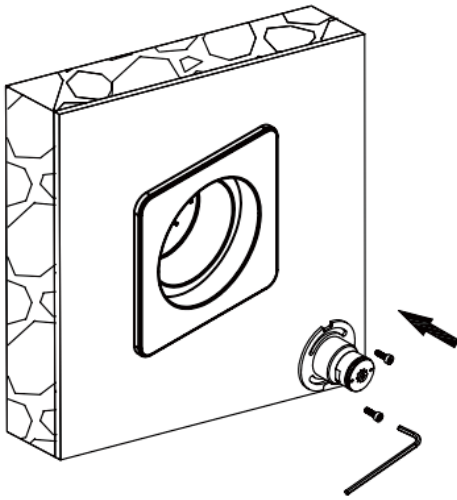
Notice:The distance between the water supply system and the finished wall shall be at least 65mm(2 9/16").



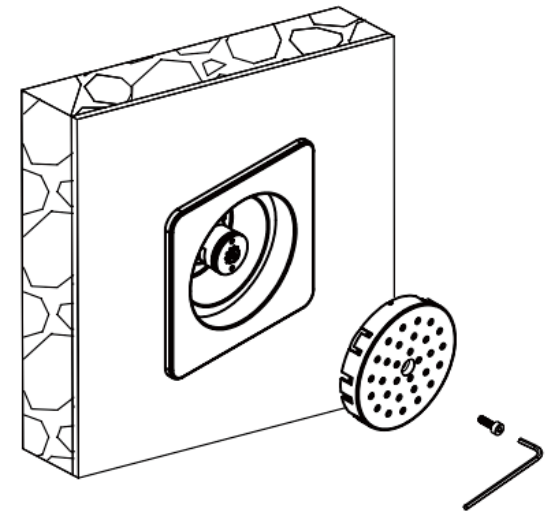
Screw the sealant tape to the pipe,
screw the water supply fitting again;
Push the plastic box into the wall;
Screw the pipe to the water supply fittings.



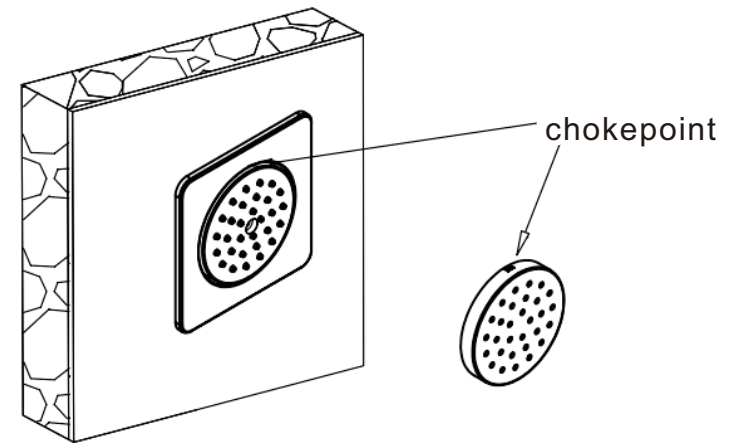
- * Screw the connector into pipe with H10 wrench,
- * Be careful of the decorative plate assembly are not tighten.



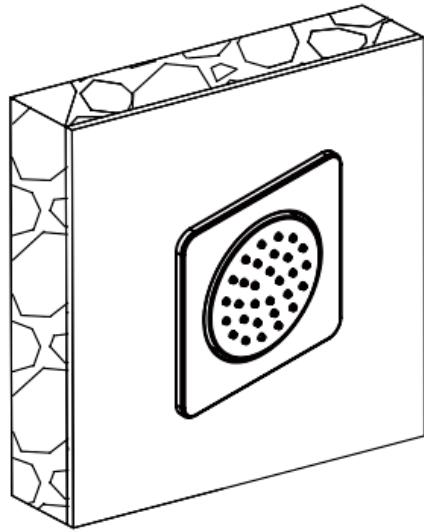
- * Screw the 4x20 bolt into the body;
- * Make sure the body and the connector are tighten;
- * Make sure the decorative plate is not move.



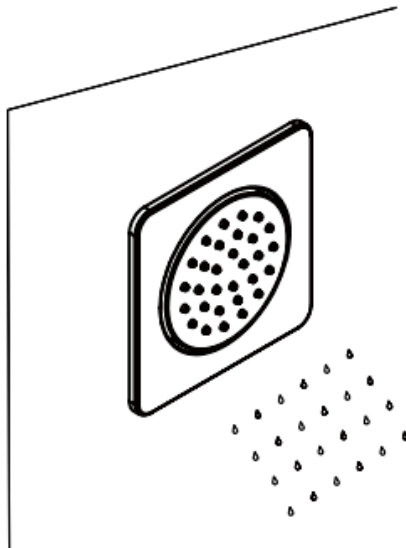
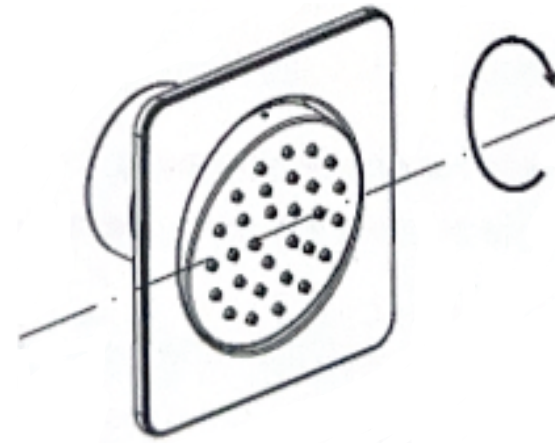
- * Install the outlet face assembly to the body;
- * Make sure the connection of body and outlet face assembly are complete;
- * Screw the M4x12 bolt through the outlet into the body, don't sue excess force or else the outlet face will be damage.



Make sure the hole and the bulge are in the correct position when push the decorative plate into the body.



◆ Product can adjust the angle position as below.



Installation completed

◆ Music connection Description



Turn on the Bluetooth of your mobile phone and find the name of the shower head Bluetooth then connect it. So that you can start playing wonderful music.

Do's

1. In order to keep the mixer surface bright, please clean the mixer regularly.
2. Rinse the faucet with clean water and wipe it with a soft cotton cloth.
3. Use one of the following cleaners to remove dirt from the surface:
 - a. Mild liquid cleaner.
 - b. Colorless glass cleaner and powder cleaner that do not cause abrasion and can be dissolved completely.
 - c. Polish liquid that does not cause abrasion.

Don'ts

- a. Avoid using cleaning powder, harsh cleaning chemicals, brushes and coarse cloth to prevent scratching and friction.
- b. Do not use acid cleaners to clean the faucet as they may cause surface corrosion of the faucet. If the faucet is exposed to harmful acid substances, please rinse it immediately with water.