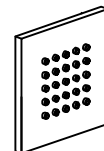
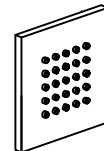
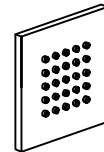
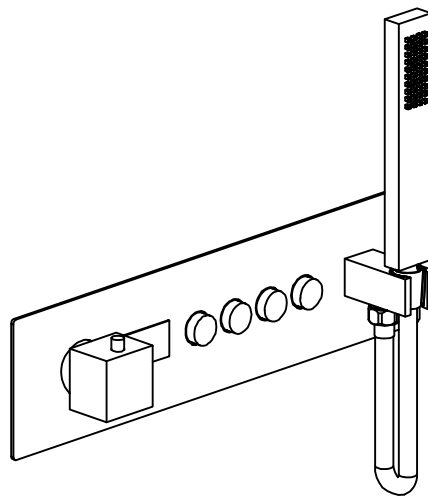
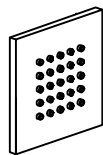
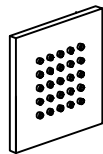
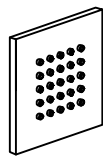
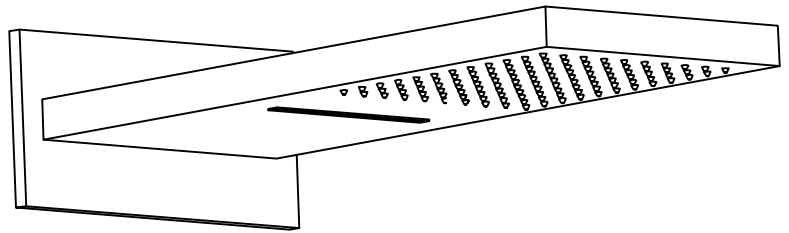


# Shower System Installation Manual



# Shower System Installation Manual

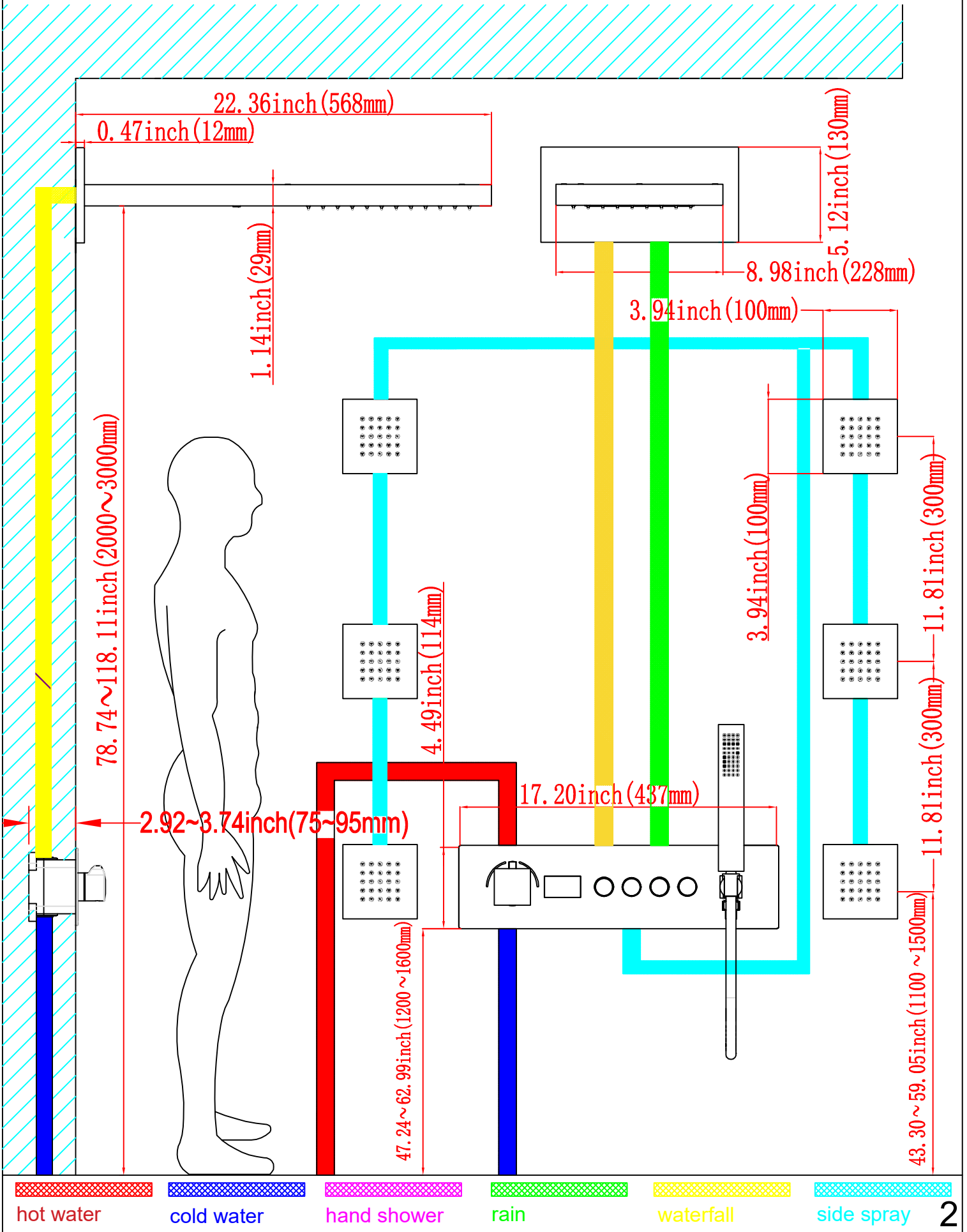
## Precautions and Maintenance

1. In order to ensure the durability of the product, please be as gentle and slow as possible during operation.
2. Clean the filter regularly.
3. When the shower is used for a long time and water is found to flow out intermittently there must be debris blocking the water outlet, At this time, you only need to gently touch & clean the soft rubber tips on the shower, then the debris will be automatically flushed out.
4. If any dirt on surface, clean with soft liquid or transparent glass detergent, then rinse it with soft water, finally gently wipe it with a dry soft cloth.
5. Do not use any scrubbing detergent, polisher, sand-cloth, paper tissue or scraper.
6. Do not use acid detergent, insoluble & grain-like detergent or soap.
7. If you will not use the shower for a long time, please close the main water inlet valve in your home.
8. When the ambient temperature is under 0°C/32°F, please take necessary to keep the water equipment warm.

# WATER PIPE INSTALLATION GUIDE

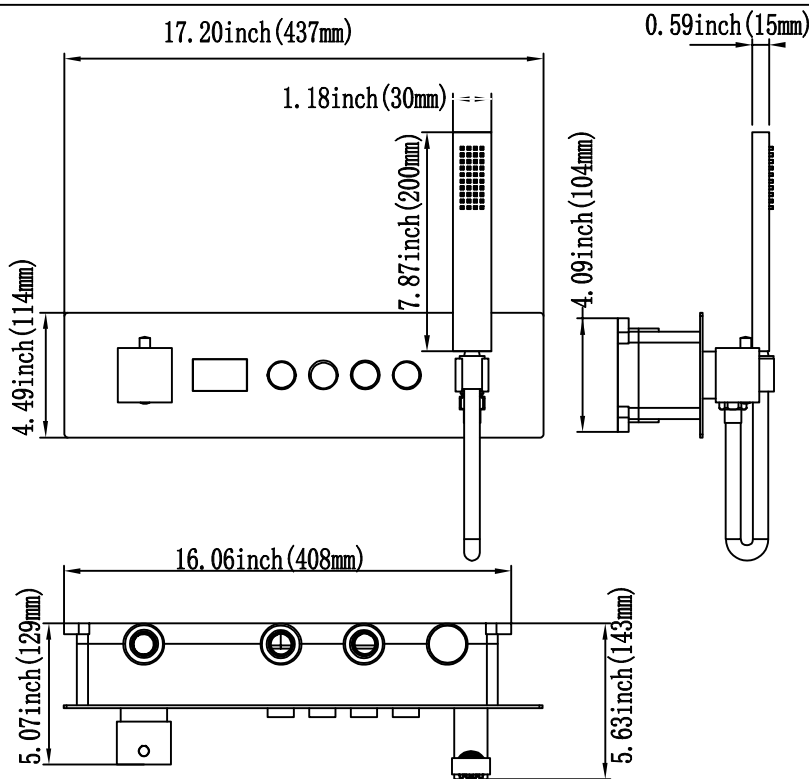
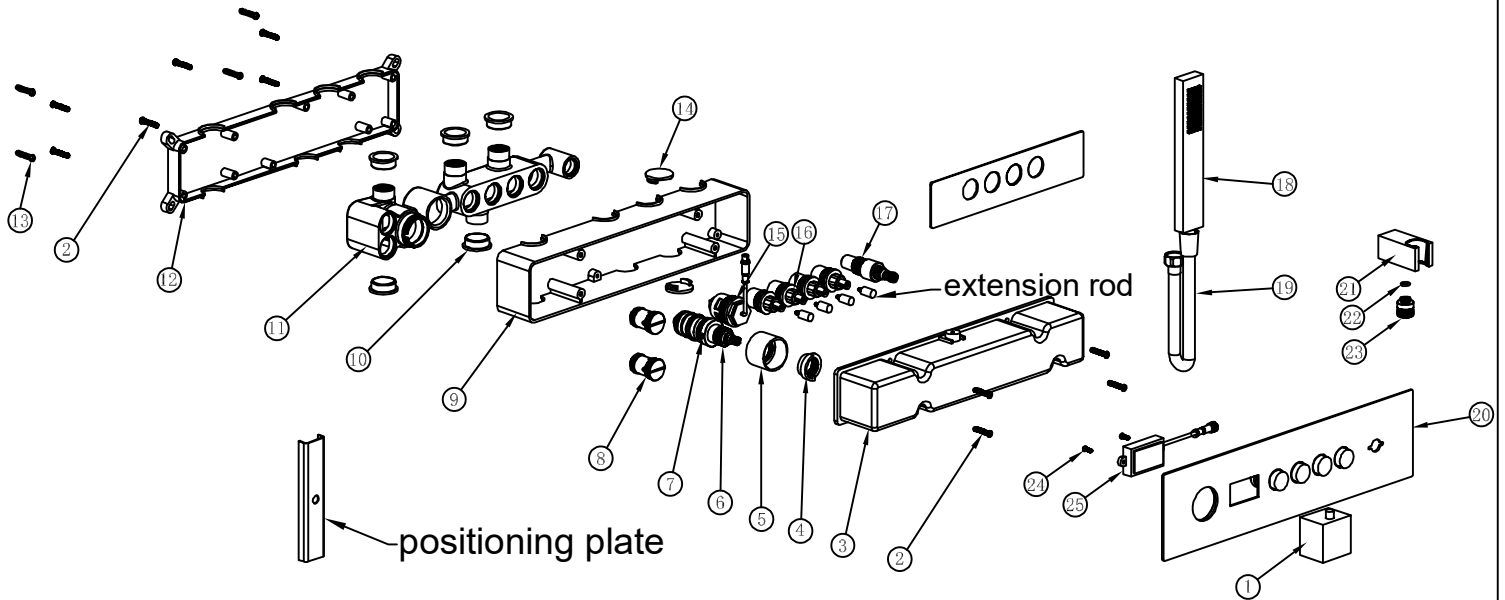
Unit: mm

Please adjust the installation height according to your needs. These dimensions are for reference only, and specific parameters are subject to actual production

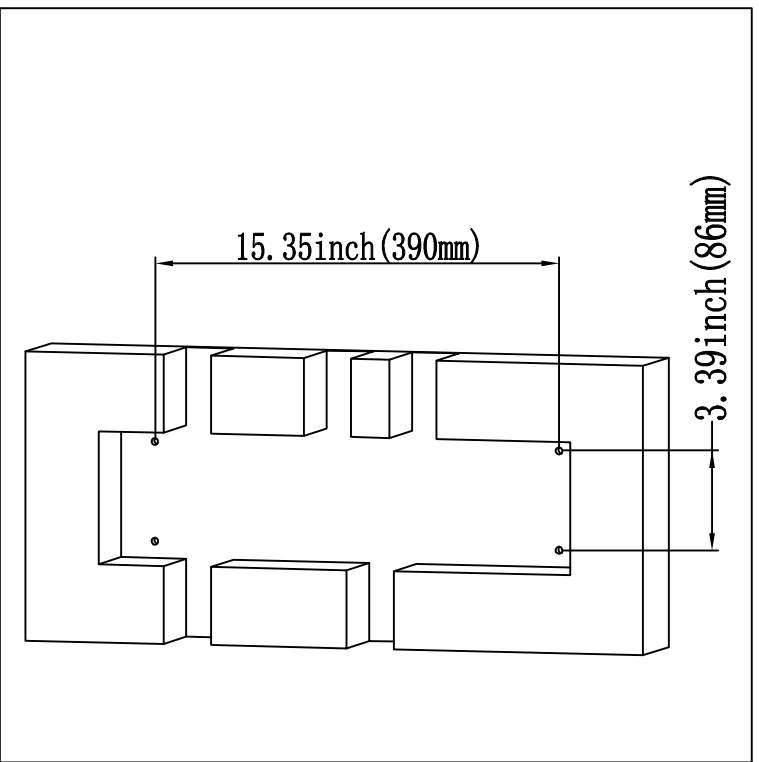
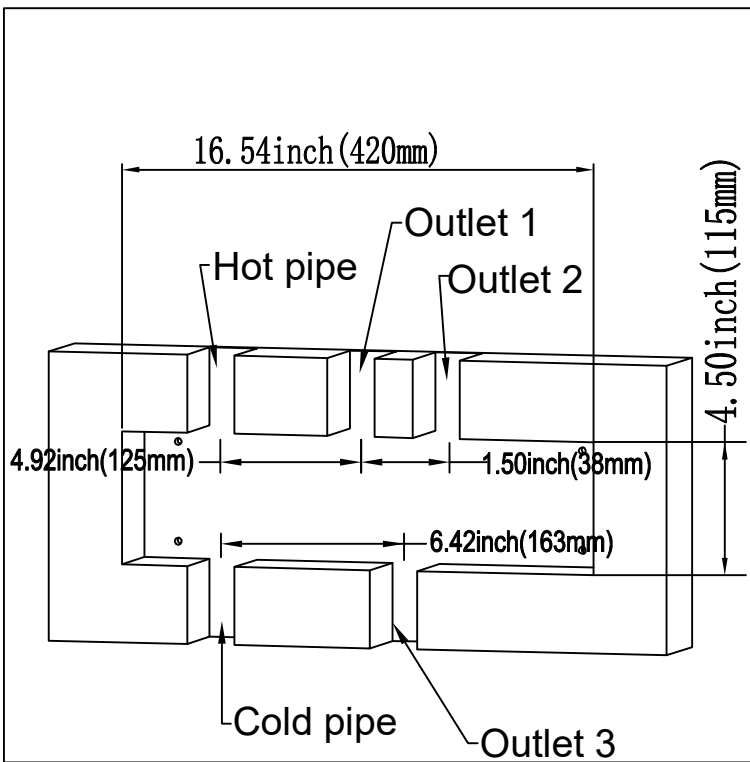


# Installation Steps of shower valve

## Parts List

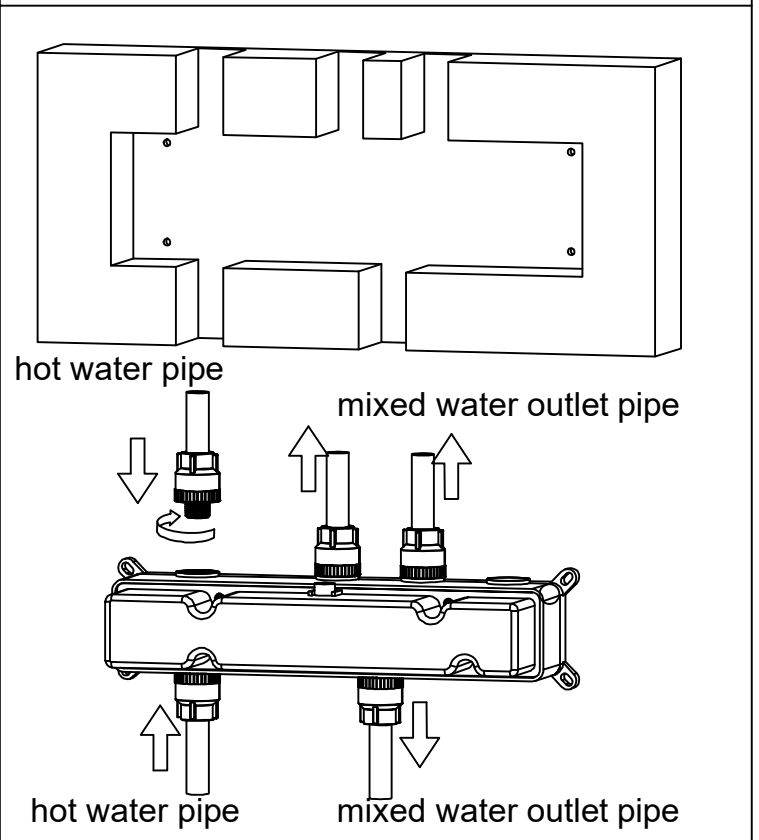
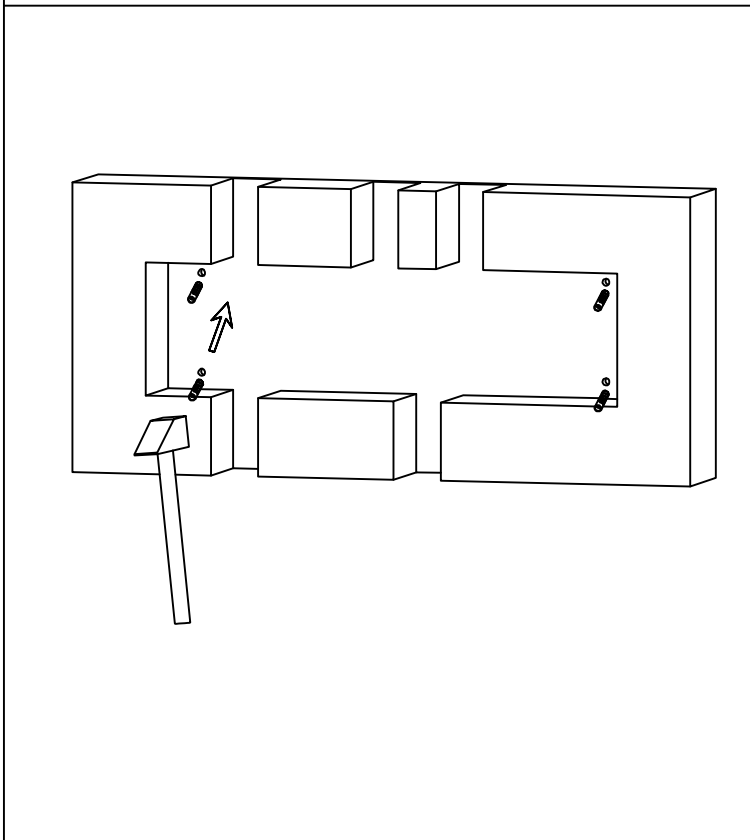


Serial number	name	quantity
1	Thermostatic handle group	1
2	pan head screw	10
3	Concealed upper cover	1
4	Thermostatic adjustment gear sleeve	1
5	sleeve	1
6	thermostatic cartridge	1
7	M6x8 neck thread	1
8	Filter(Check Valve)	2
9	Concealed middle cover	1
10	Body protective sleeve	5
11	body	1
12	Concealed lower cover	1
13	Self working screw ST6x40	4
14	Decorative cover	2
15	hydraulic generator	1
16	Key valve core	4
17	Link connector	1
18	hand shower	1
19	Shower hose	1
20	panel	1
21	Shower socket	1
22	O-ring 8x2	1
23	Sprinkler pipe joint	1
24	Pan head screw M4x10	2
25	monitor	1



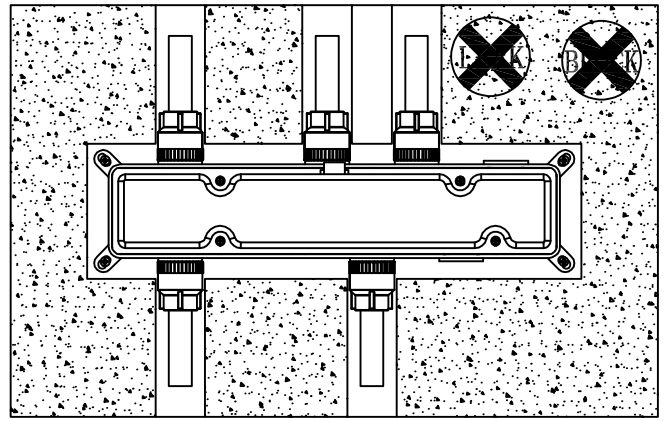
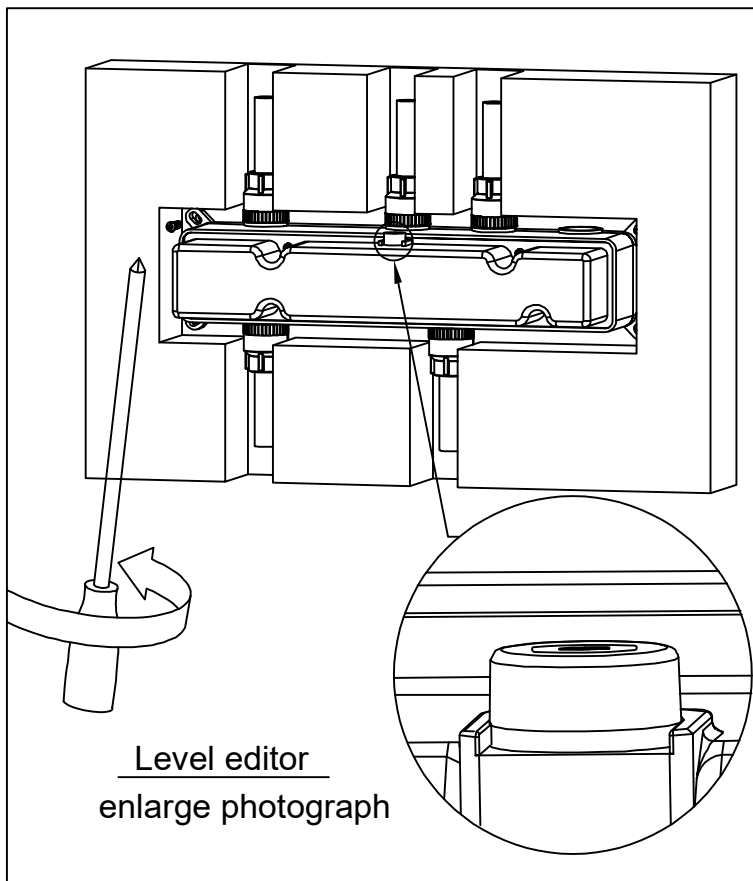
1. Turn off the water supply. Determine pipe length and depth. Set up the waterlines properly based on the actual condition. The above diagram for plumber reference (Must pay attention-left is hot, right is cold)

2. Drill 4 positioning holes for the valve body. The above diagram for your reference.



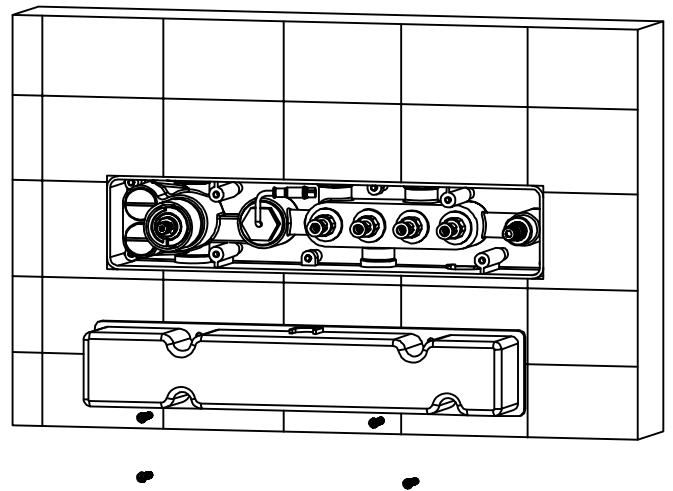
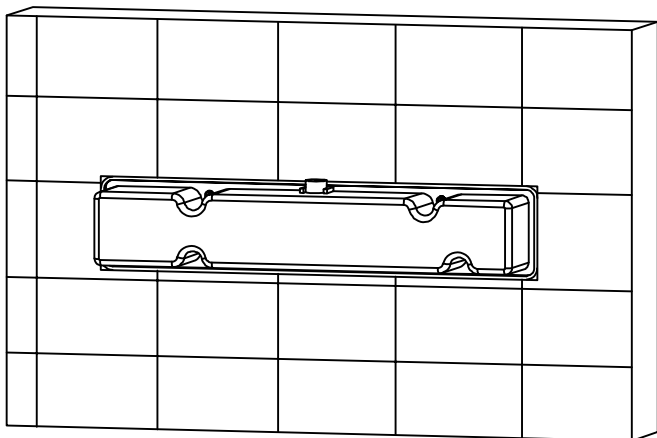
3. Hammer the 4 expansion screws into the holes.

4. Fix the valve body with 4 positioning screws



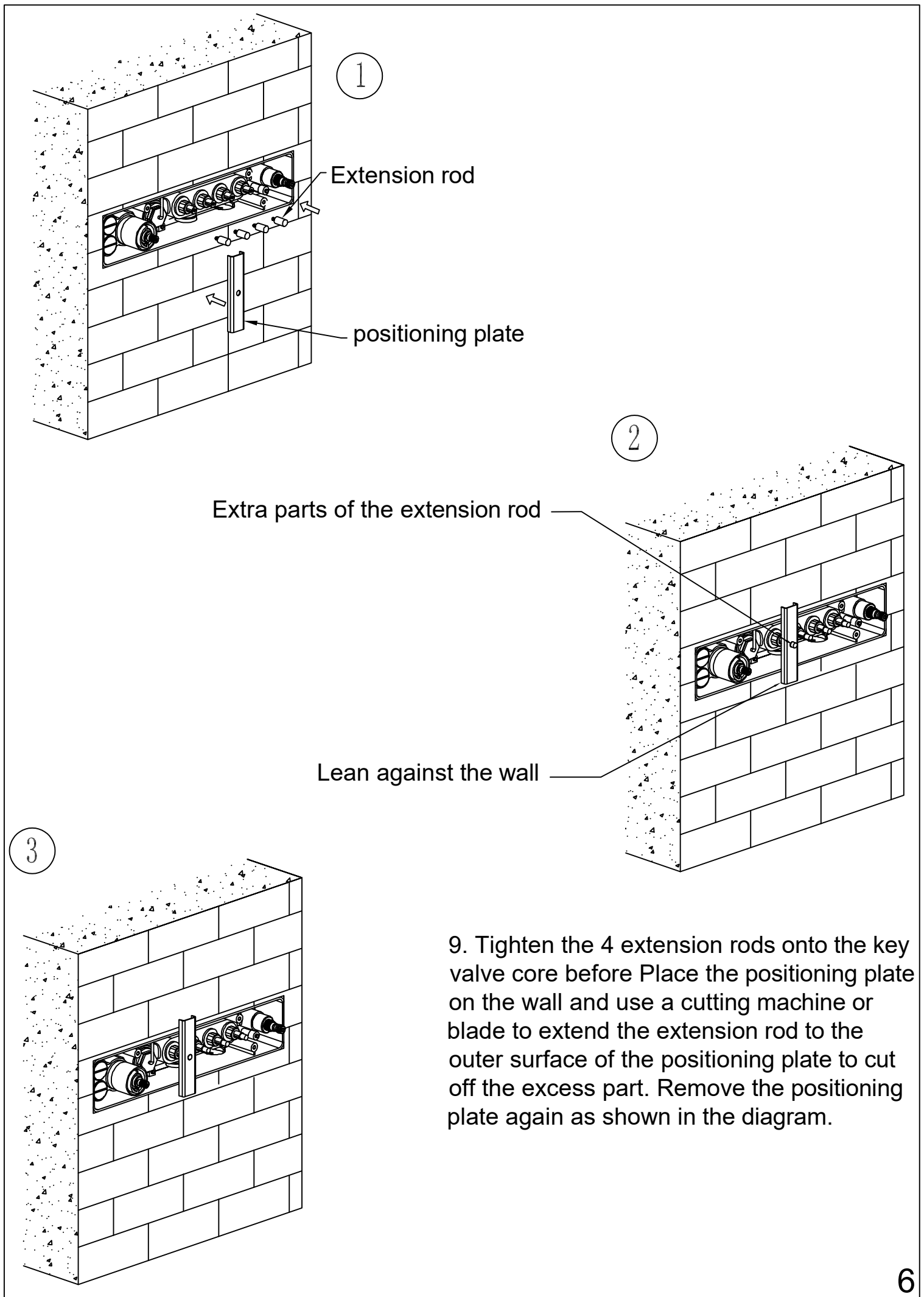
5. Use copper sleeve wrench to tighten the screws

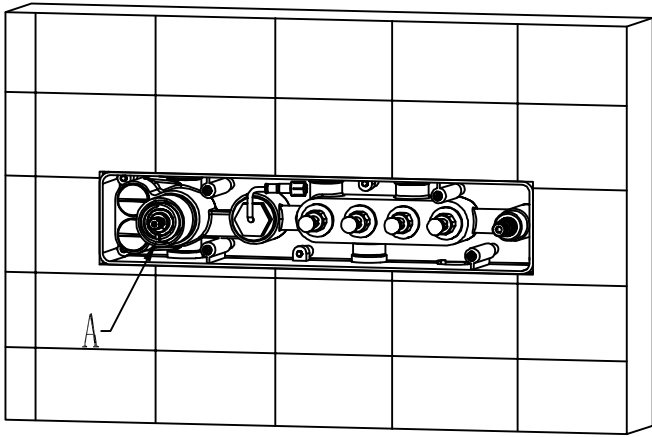
6. Connect the hot/cold inlets and outlets properly. Open the waater supply to check and test, ensure there is no leakage or blockage at each connection



7. apply ceramic tiles, which are flush with the concealed box

8. Use a Phillips screwdriver to loosen the four M5 screws of the protection box in a counterclockwise direction, then remove the protection box. Then, use a hexagonal spoon to loosen the inner hexagonal fastening screw in the handwheel counterclockwise direction, and take out the handwheel (remove the rubber plug outside the handwheel, and then insert the hexagonal spoon)

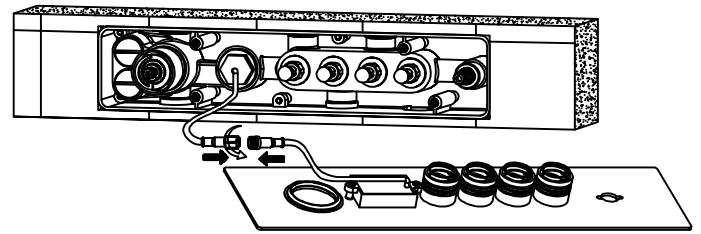




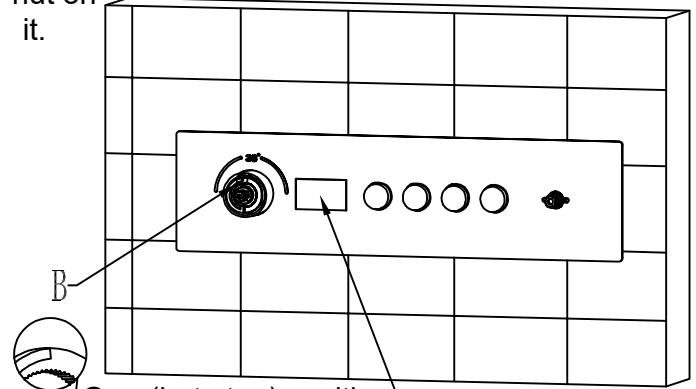
Alignment  
mark line

Magnified view A

10. Rotate the valve core rod to adjust the marking line on the valve core to align the upper and lower marking lines. As shown in the above figure



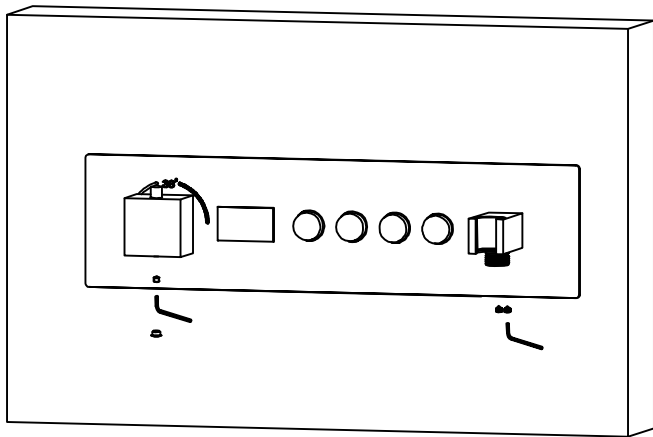
Insert the sub plug of the monitor into the female plug of the hydraulic generator, and then tighten the nut on it.



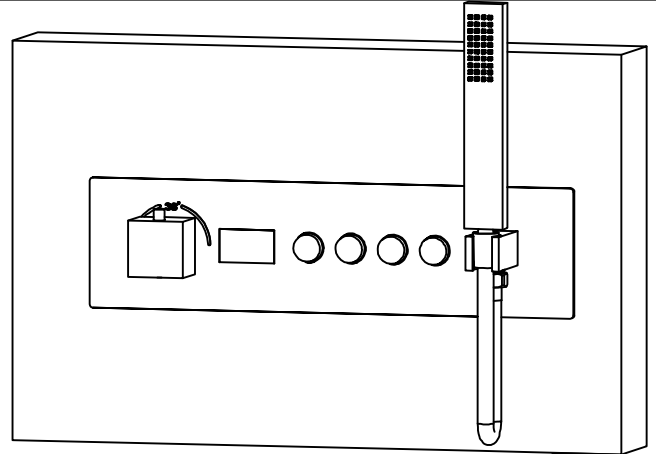
Gear(hot stop) position  
Magnified view B

monitor

11. Install the panel, rotate the switch handle, align the handle with OFF on the panel, and then install the panel on the body.



12. Install the handwheel and tighten it with a hexagonal spoon, then install the socket and tighten it



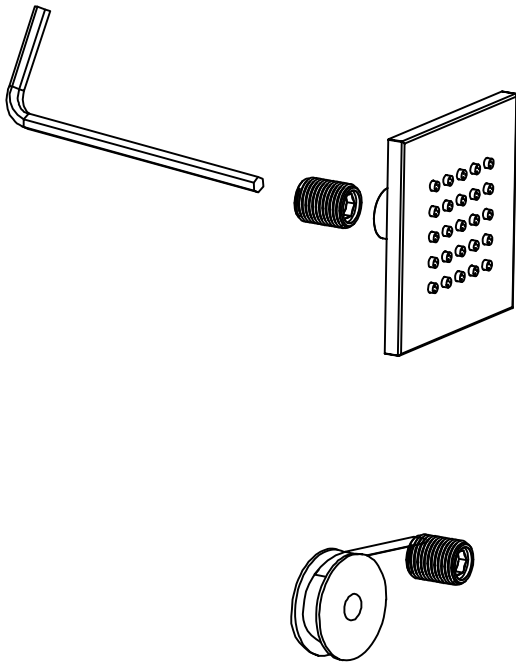
handheld shower

Sealing Rubber  
Ring

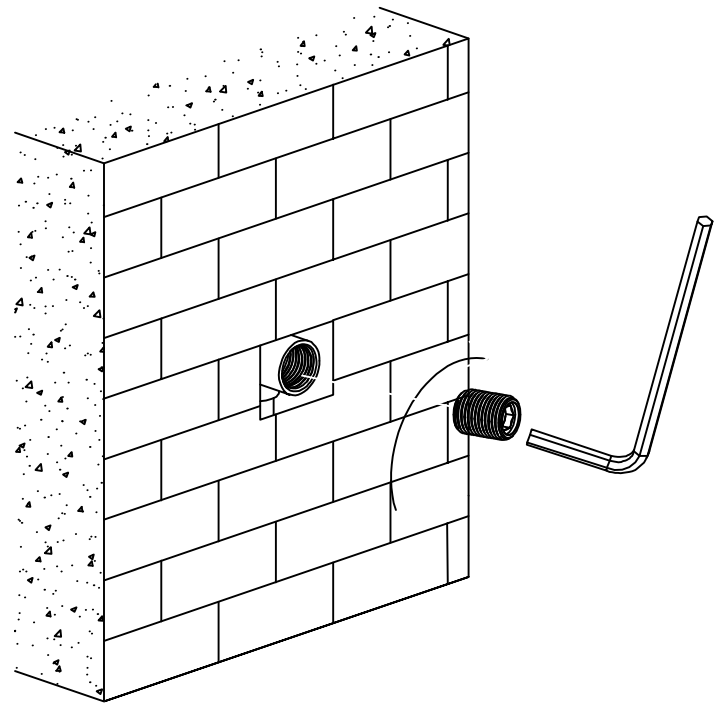
Shower Hose

13. Connect the hand-held shower with the shower holder with the shower hose.

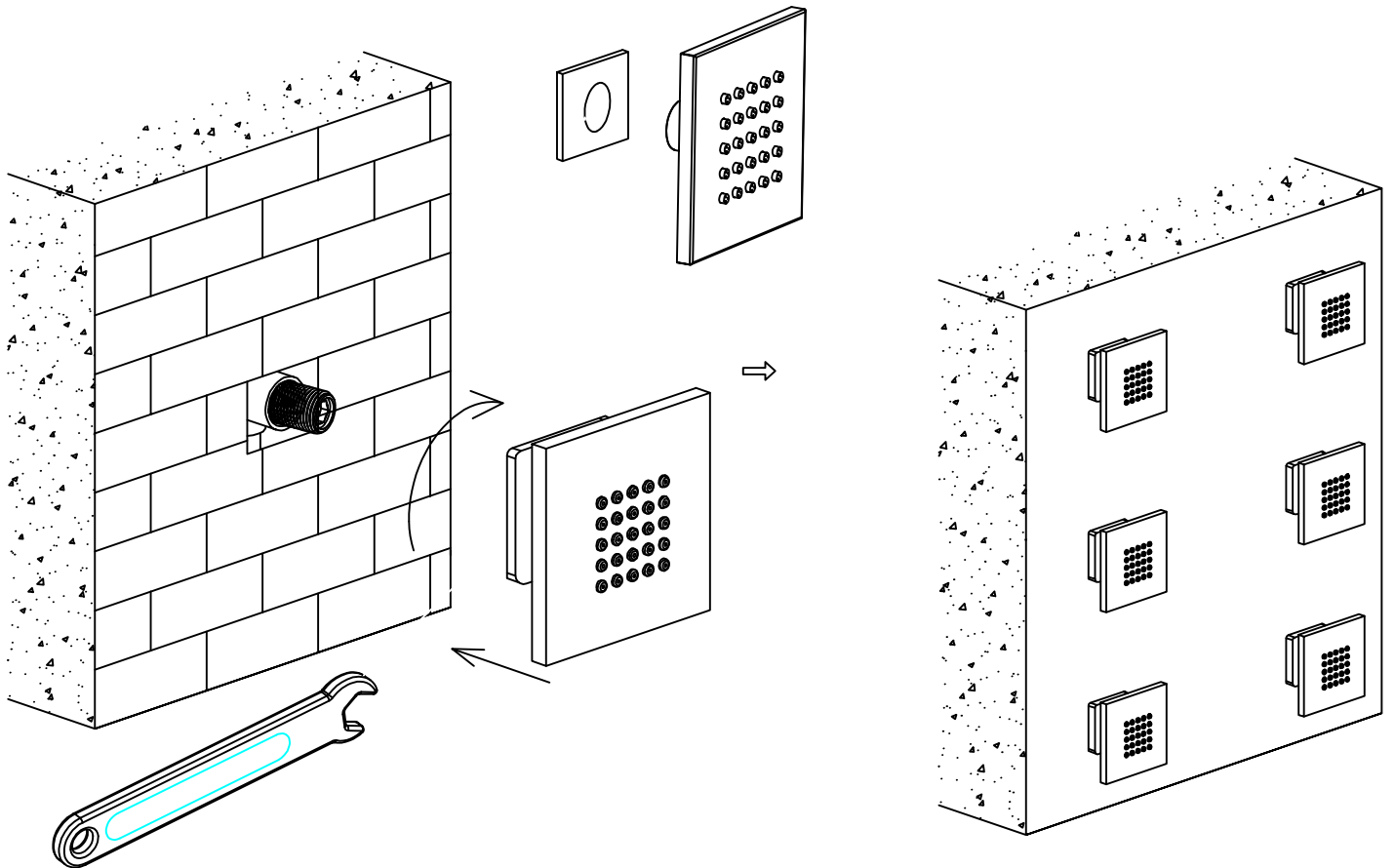
# Installation steps of valve body jet



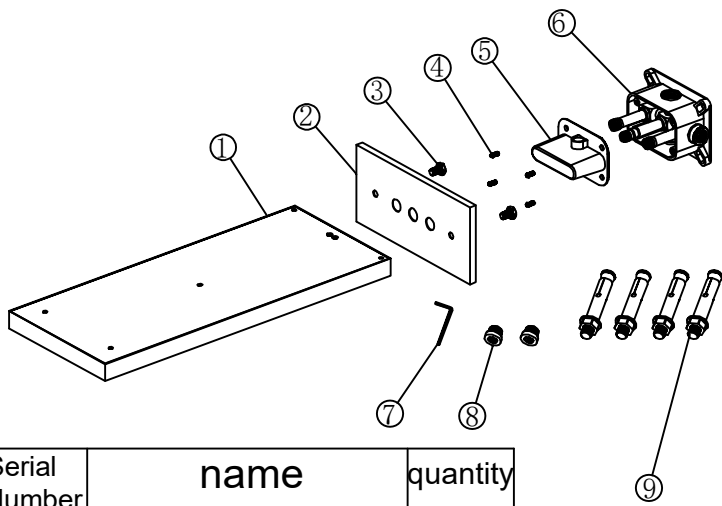
1. Remove the threaded pipe and wrap it with raw material tape



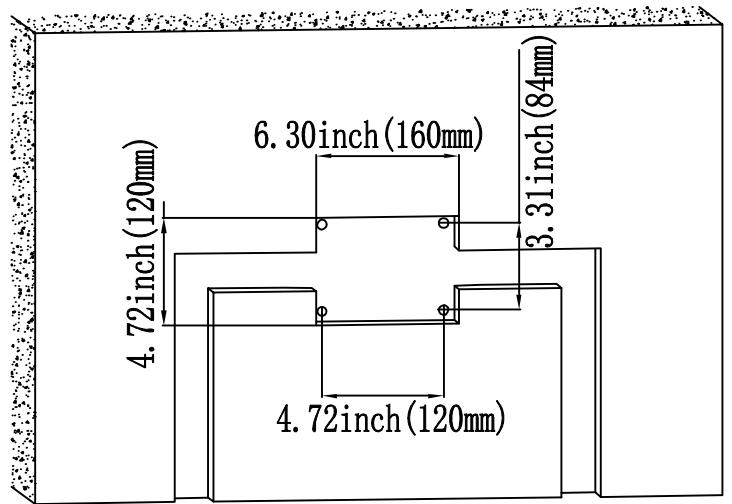
2. Install the threaded pipe into the reserved thread hole on the wall



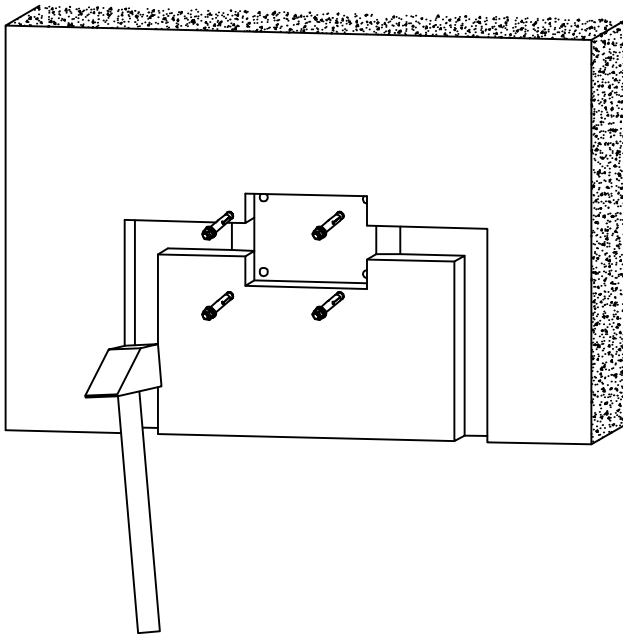
3. Insert the decorative piece into the back of the showerhead, wrap it in soft fabric with a wrench, tighten it, and spray the side spray flower



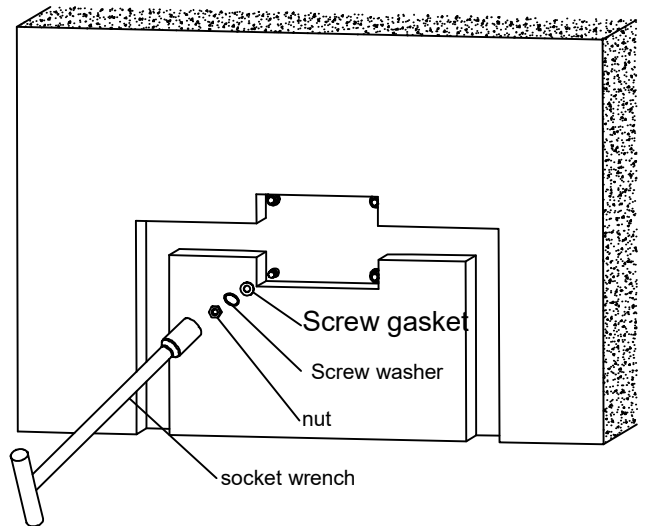
Serial Number	name	quantity
1	Top spray main body	1
2	Top spray decorative base	1
3	M10 screw	2
4	M5 cross screw	4
5	Embedded box protective shell	1
6	Embedded main body	1
7	3mm hexagonal spoon	1
8	plug	2
9	M8x100 Wall plug	4



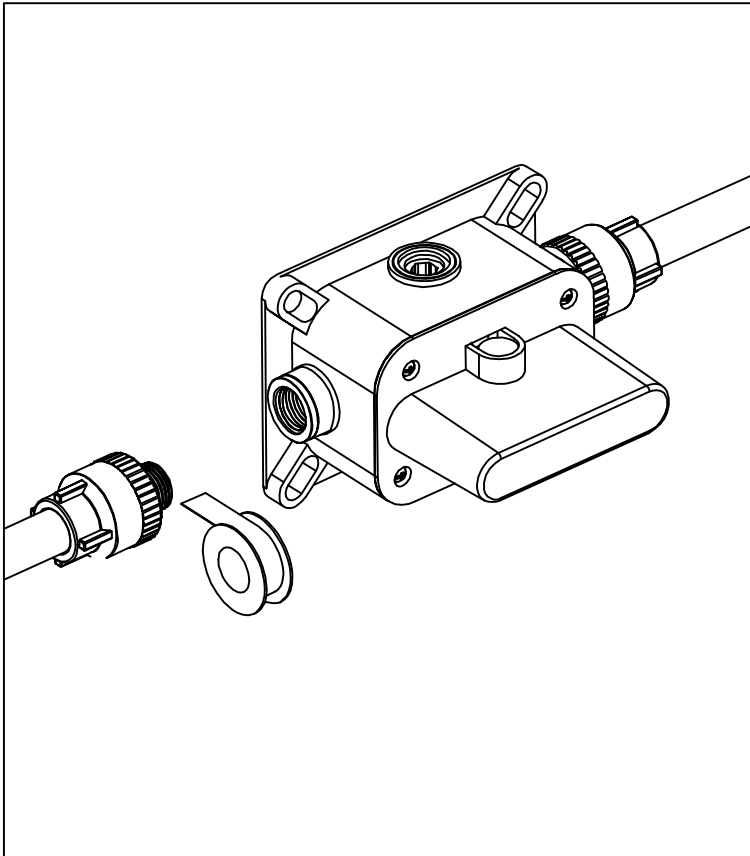
1. According to the product size, slot and drill a diameter hole of 10 at a suitable position on the wall



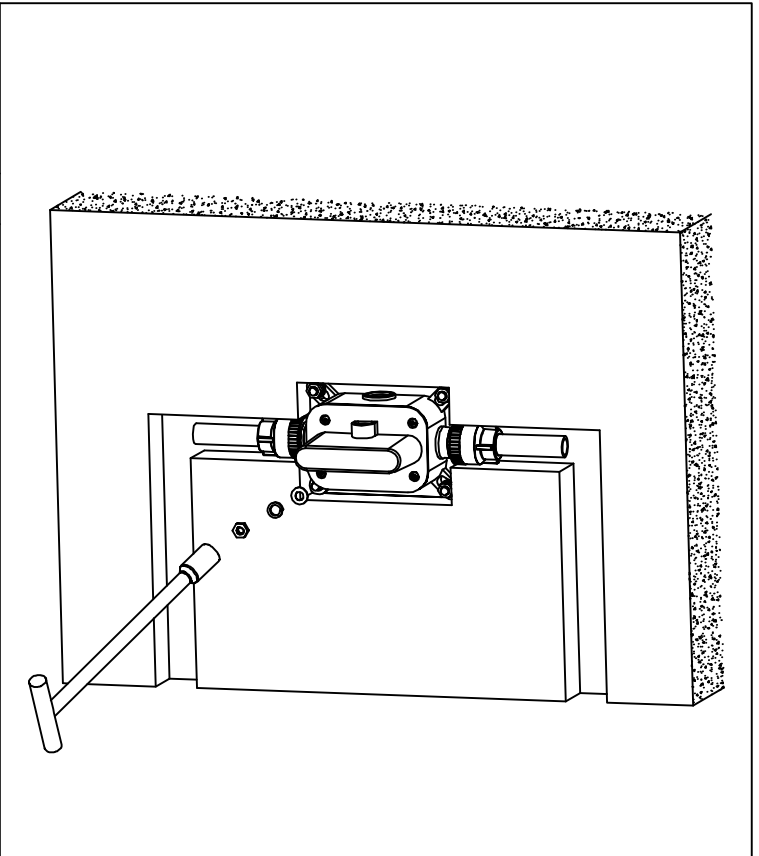
2. Knock the Wall plug into the hole with a hammer.



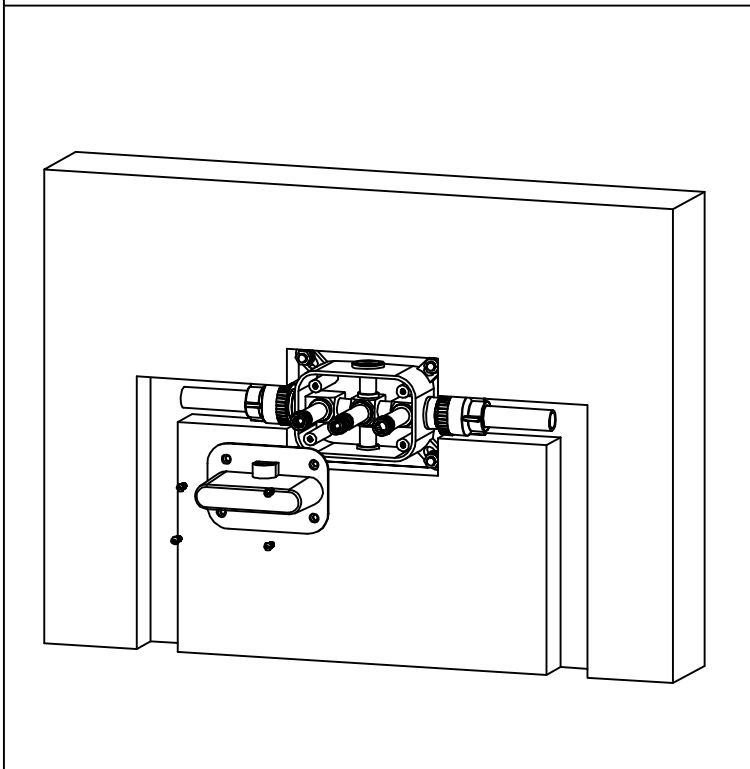
3. Use a socket wrench to tighten the Wall plug and loosen the nut.



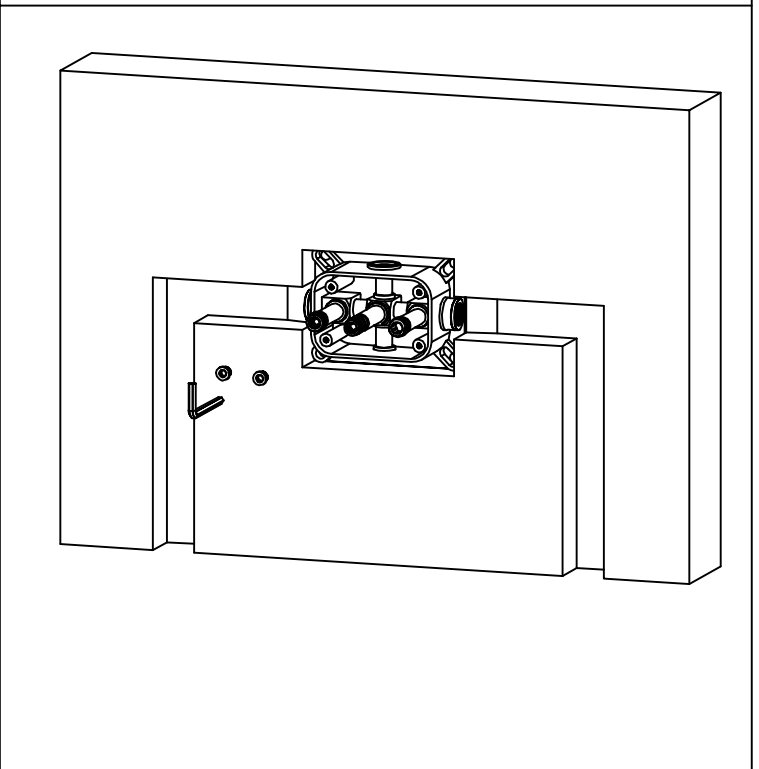
4. Wrap Thread seal tape around the joint thread and tighten it at the water inlet interface of the embedded main body.



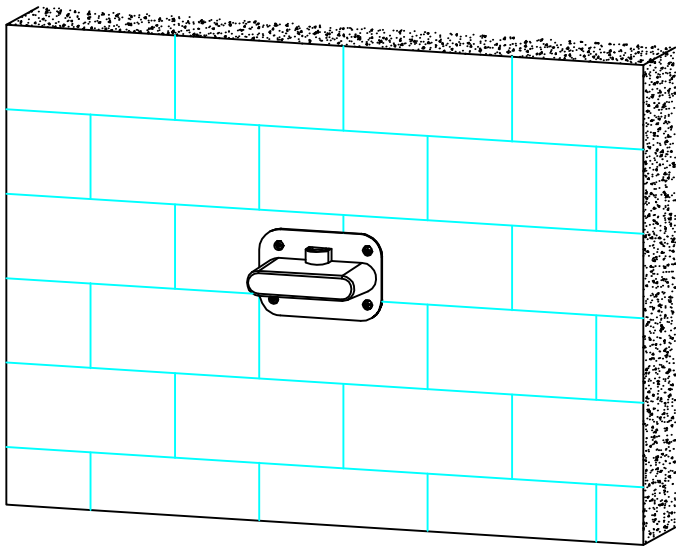
5. Install the embedded main body into the wall, and tighten the Wall plug with a socket wrench to fix the main body.



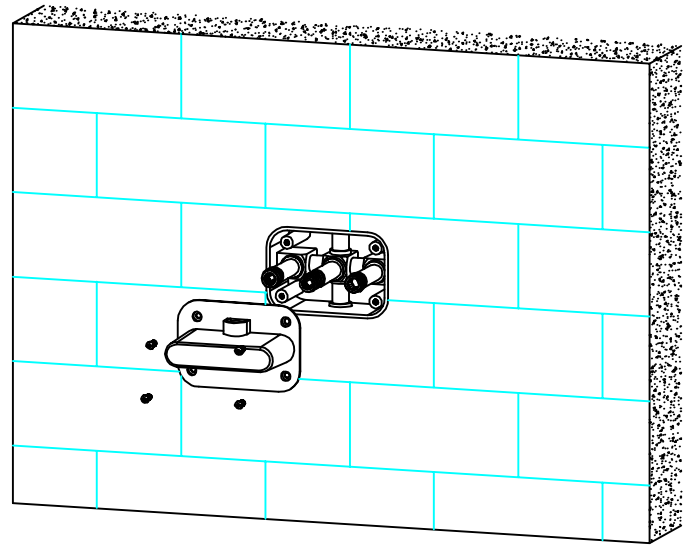
6. Use a Phillips screwdriver to loosen the screws on the protective cover and remove the protective shell.



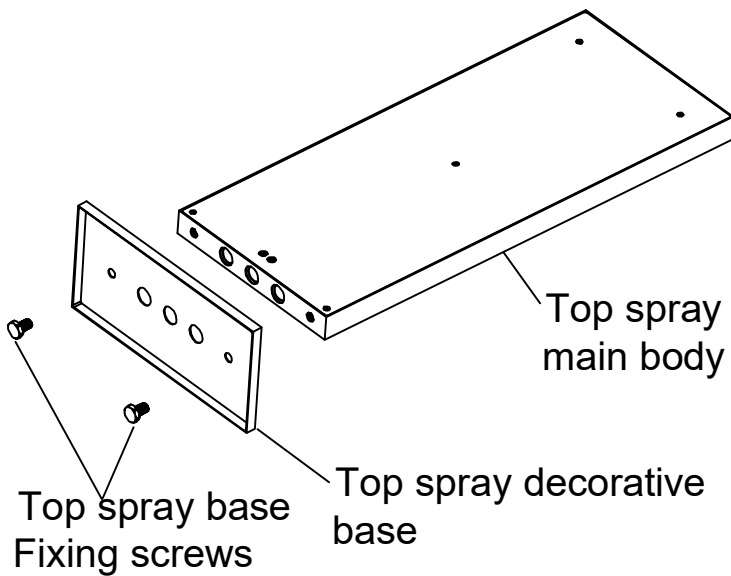
7. Use a hexagonal spoon to tighten the two plugs at the top of the spout, turn on the water supply, and check all connections for leaks. After the test is completed, remove the plug and reinstall the protective casing.



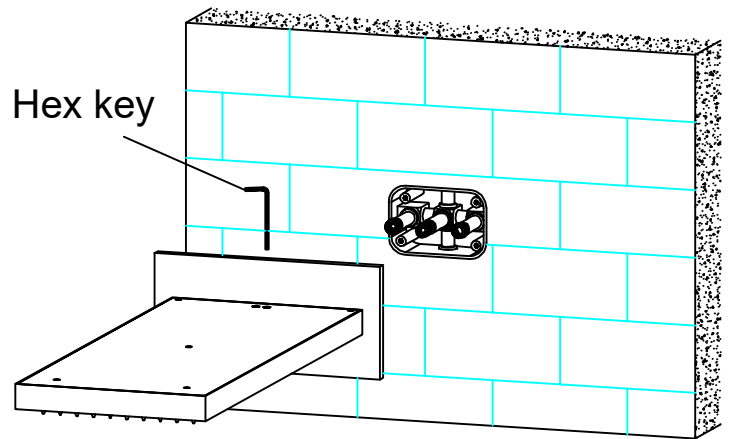
8. After the water test is completed, backfill the pipeline gap with concrete, and lay ceramic tiles flush with the embedded box.



9. Loosen the screws and remove the protective shell. Before installing the shower, the water pipe should be flushed with boiling water to prevent sediment from entering and blocking the shower during installation.



10. Tighten the top spray decorative base with screws and fix it at the bottom of the shower body.



11. Align the top spray main body and insert it into the wall. Tighten the two fixing screws above the top spray with a hexagonal spoon.