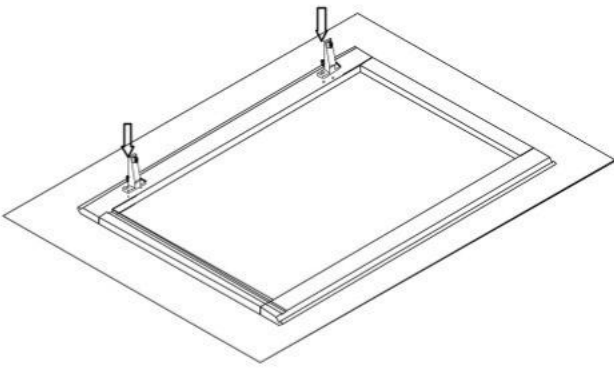
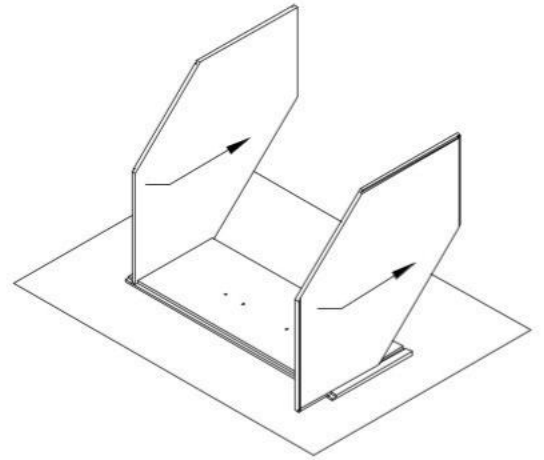


# WDC Assembly Instructions

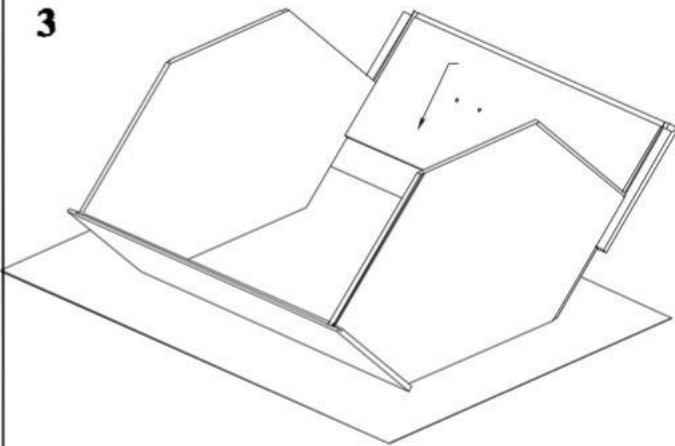
1



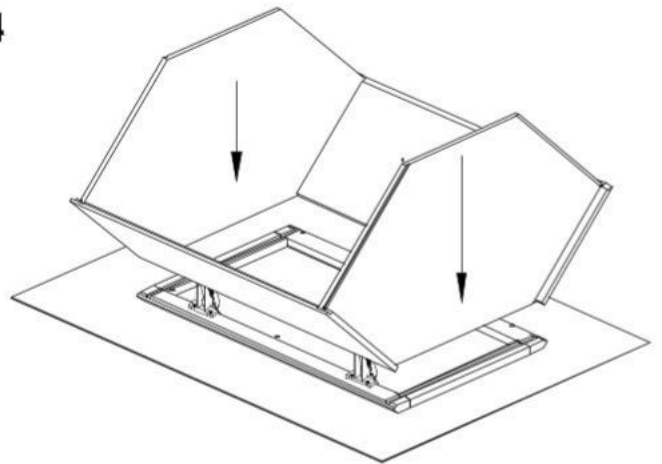
2



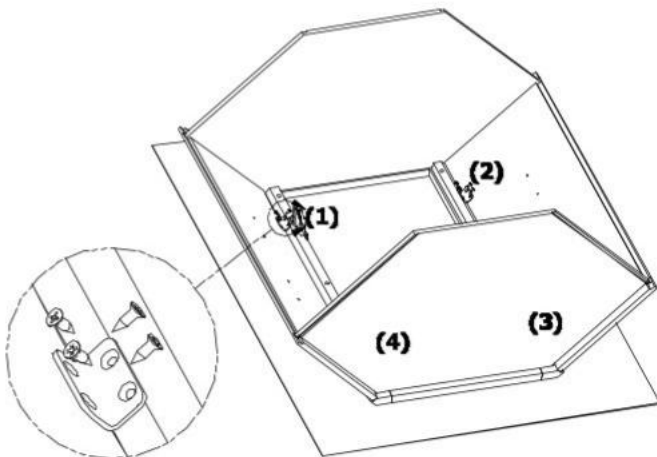
3



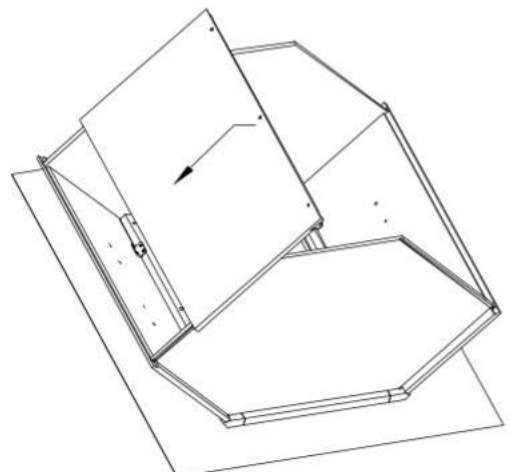
4



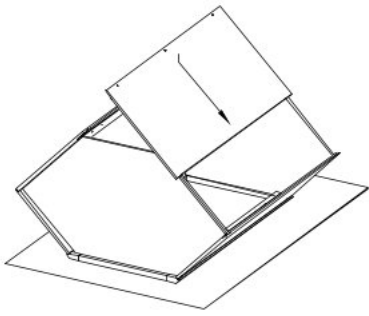
5



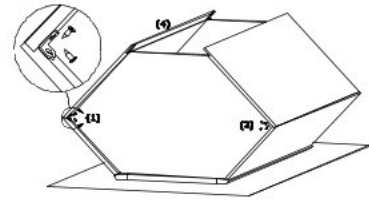
6



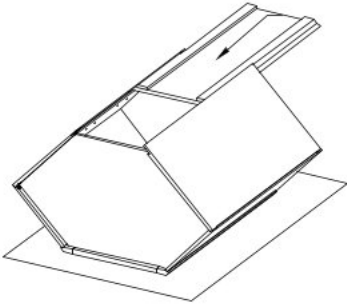
7



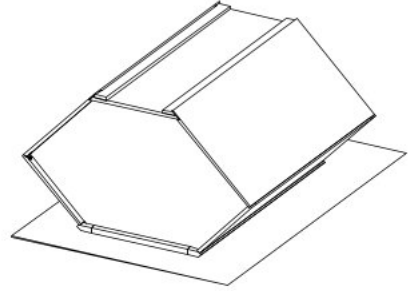
8



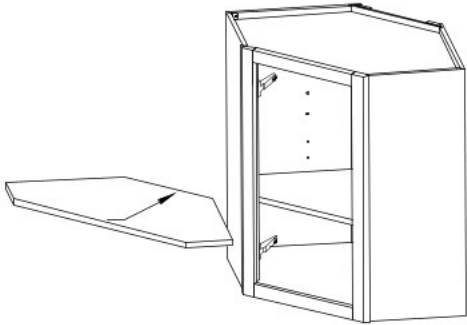
9



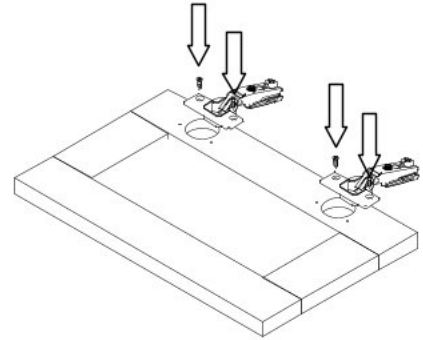
10



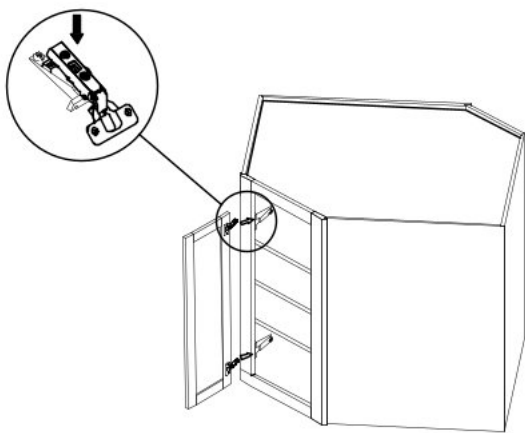
11



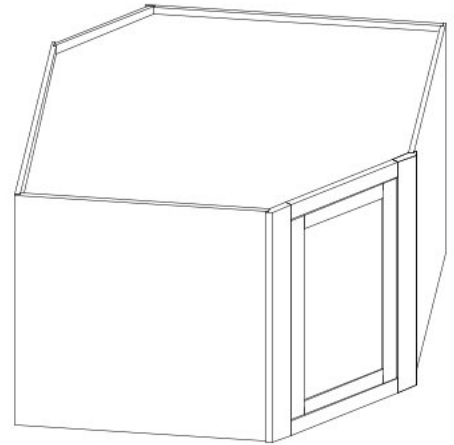
12



12

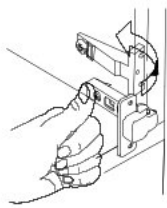


13

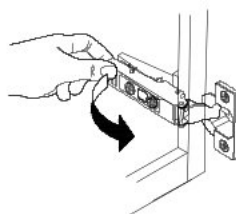


14

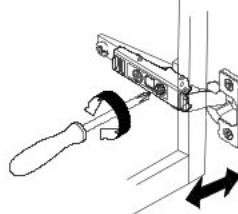
Hinge installation and adjustment



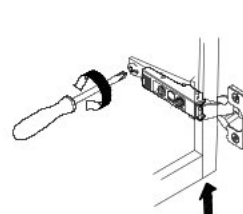
Click and lock



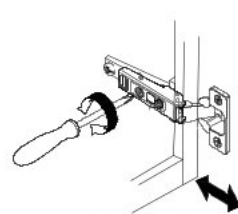
Click and remove



Side adjustment



Up&dowr adjustment



Depth adjustment