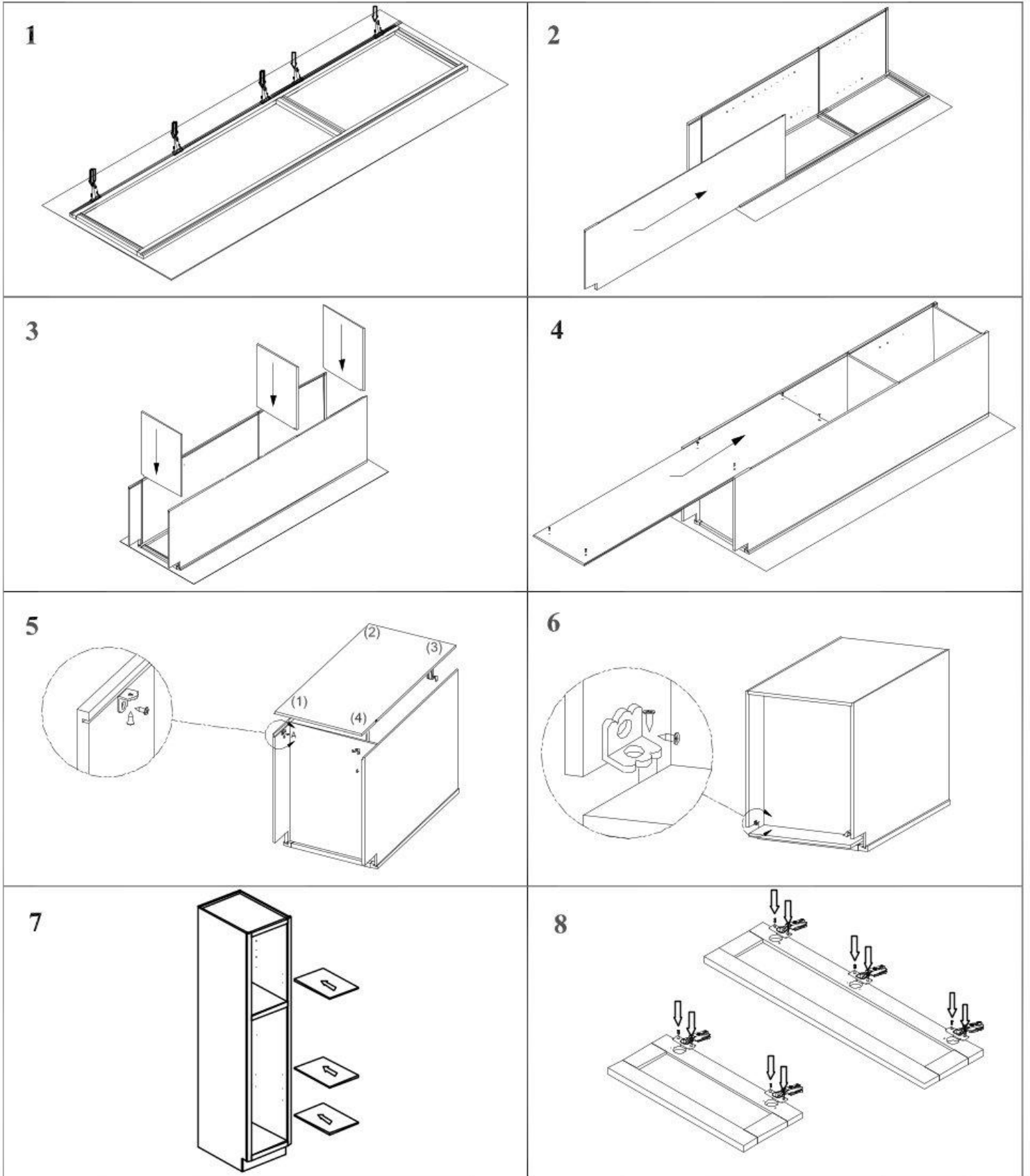
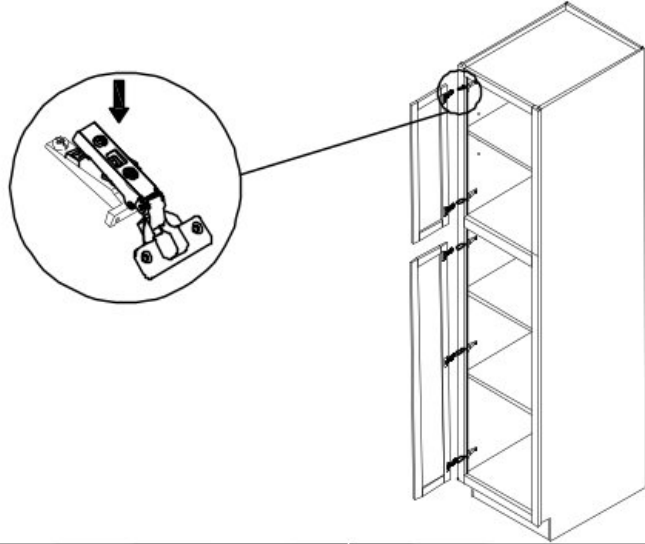


Pantry Cabinets Assembly Instructions

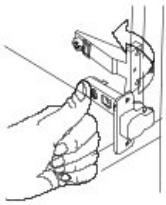


1

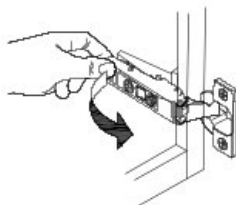


3

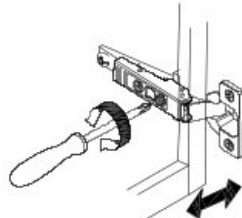
Hinge installation and adjustment



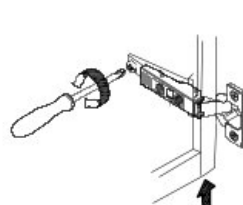
Click and lock



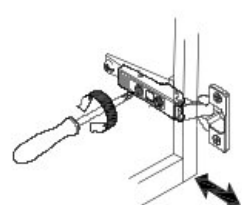
Click and remove



Side adjustment



Up&dowr adjustment



Depth adjustment

3

