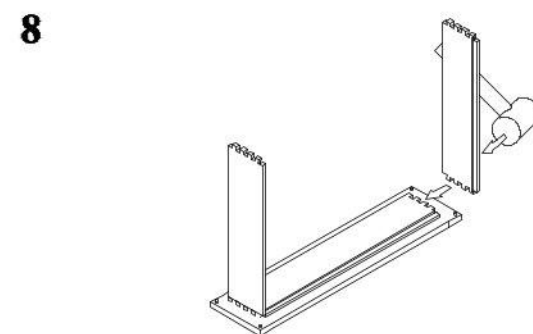
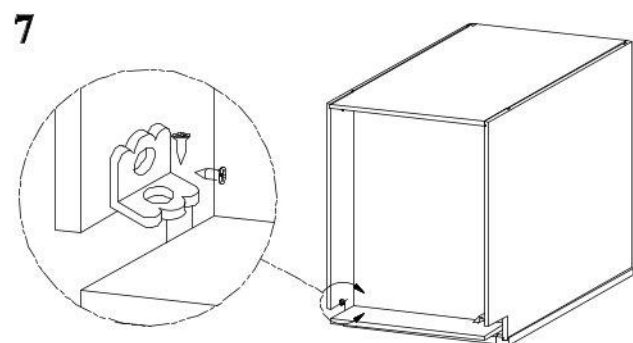
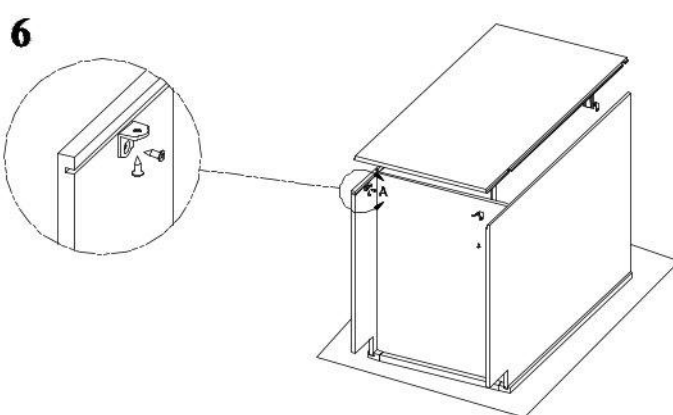
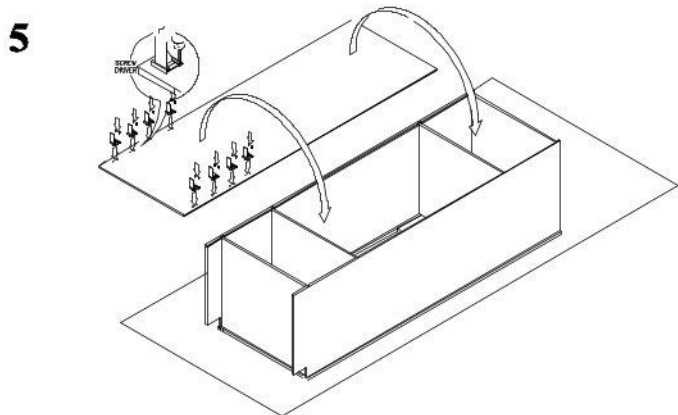
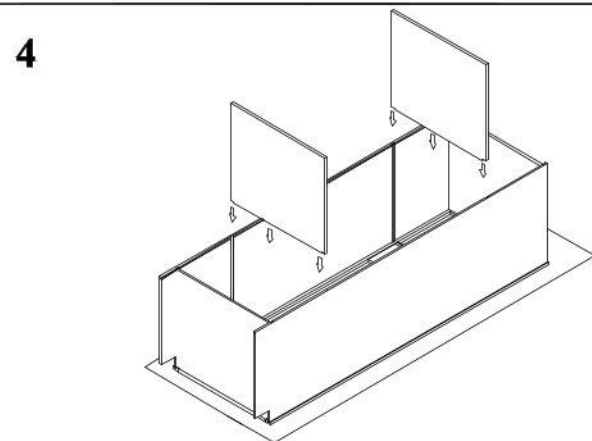
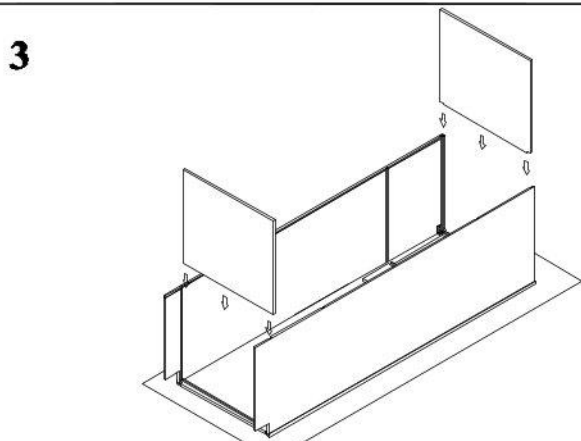
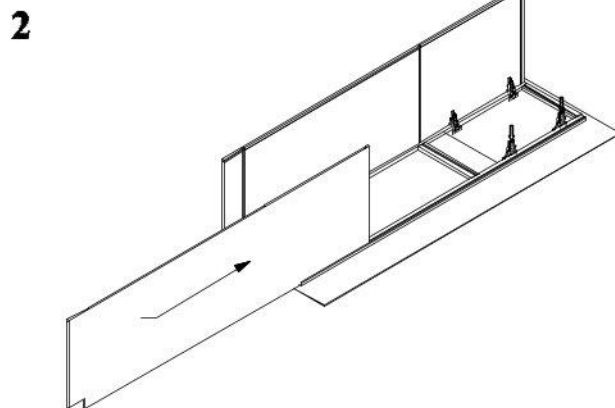
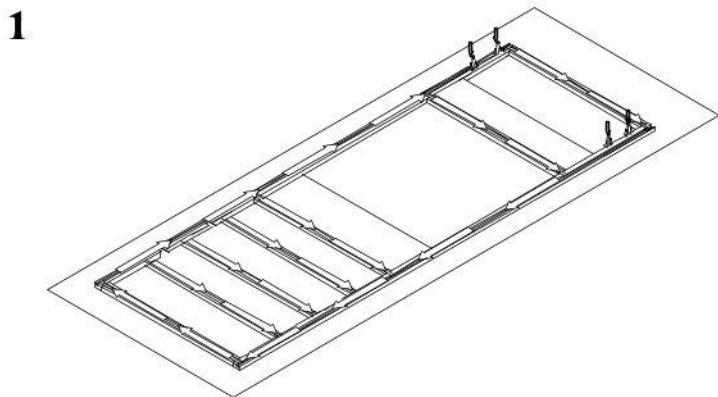
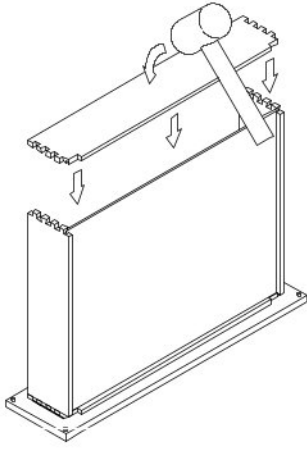


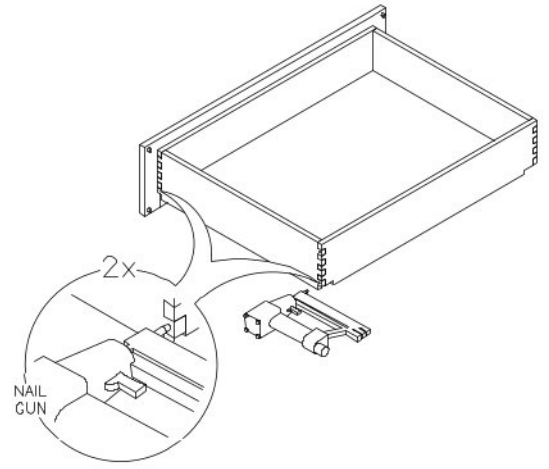
OD Cabinets Assembly Instructions



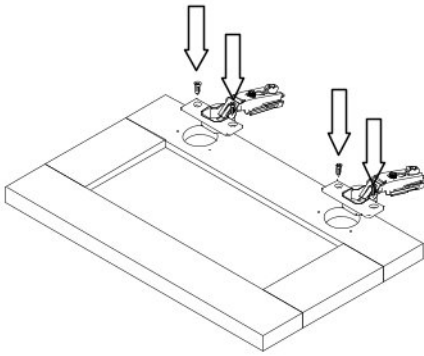
9



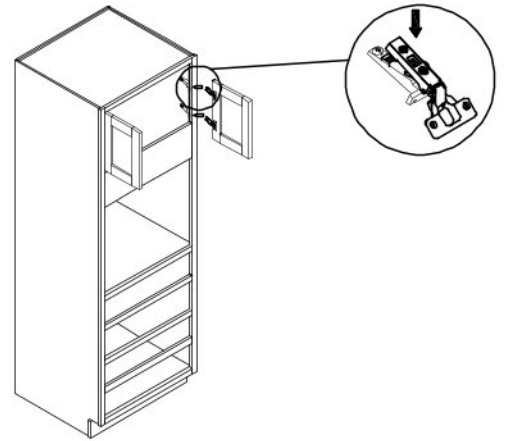
10



11

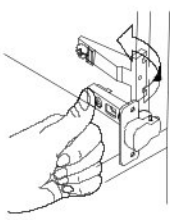


12

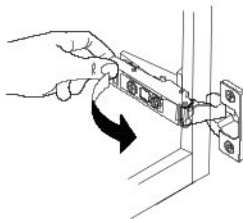


13

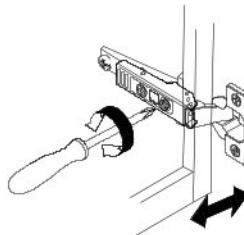
Hinge installation and adjustment



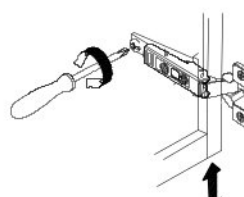
Click and lock



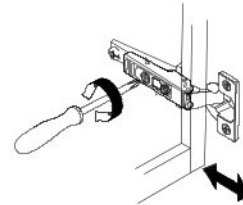
Click and remove



Side adjustment

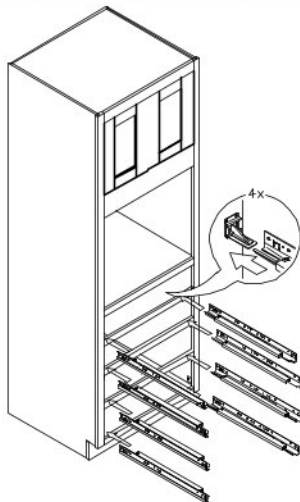


Up&dowr adjustment

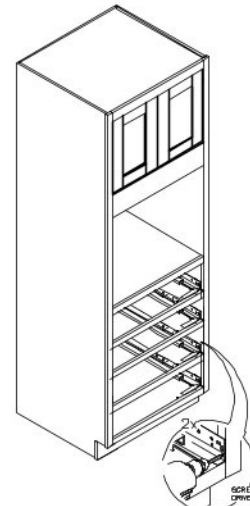


Depth adjustment

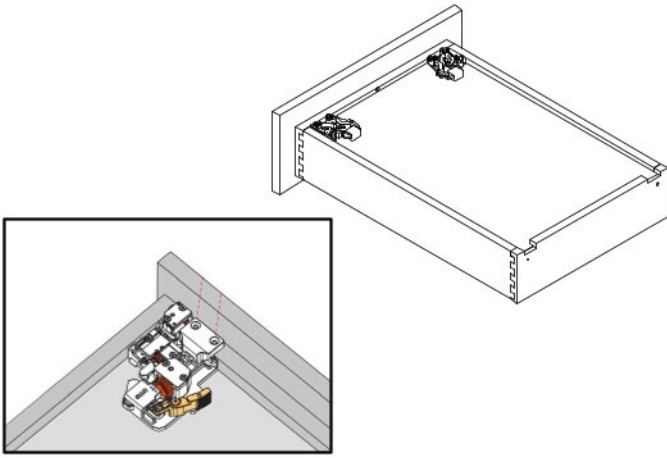
14



15

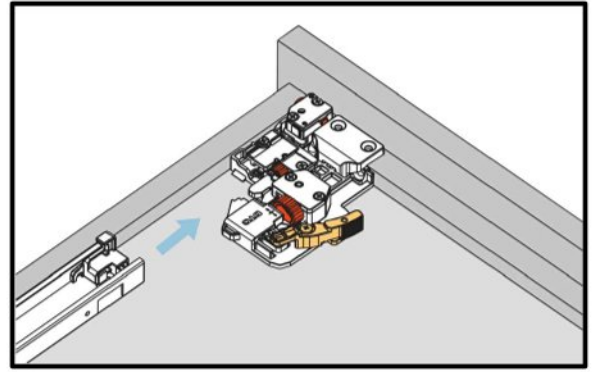


16



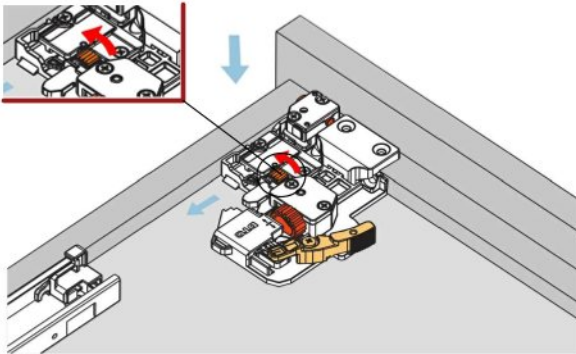
Put the adjusting part b on and tighten the screws.

17



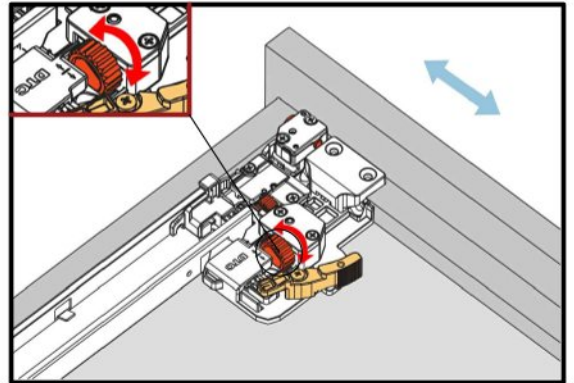
Lay the drawer bottom onto the slide then push the drawer into the cabinet.

18



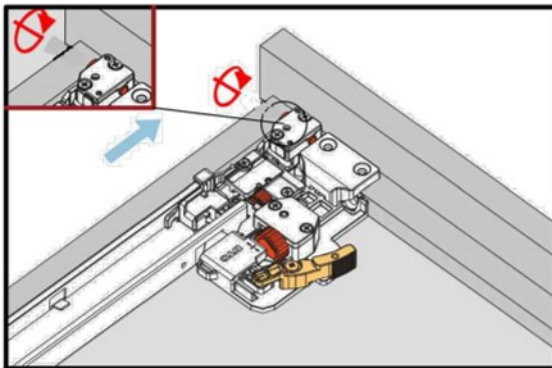
Up&Down adjustment

19



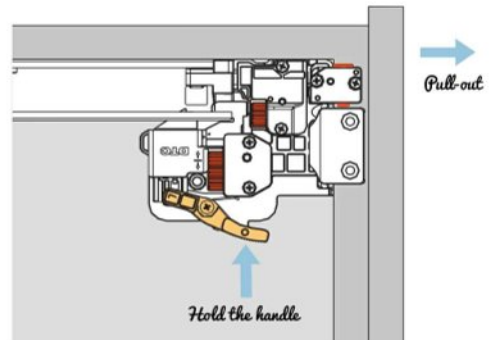
Side adjustment

20



Depth adjustment

21



Removal

22

