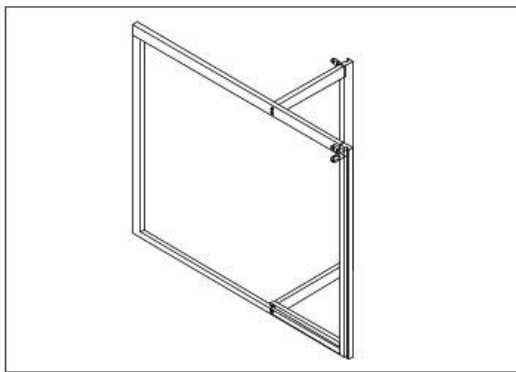
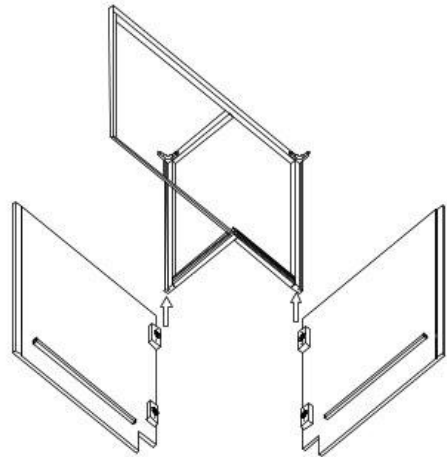


BER Assembly Instructions

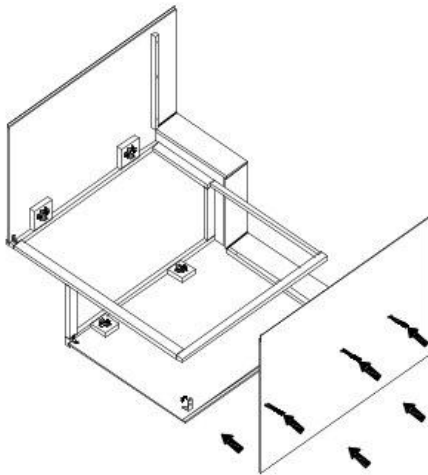
1



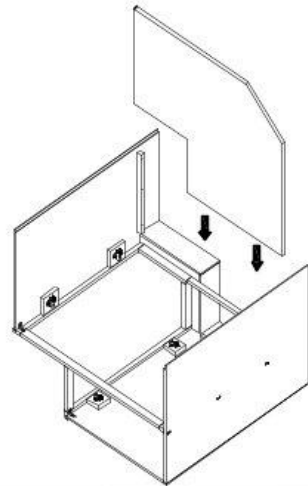
2



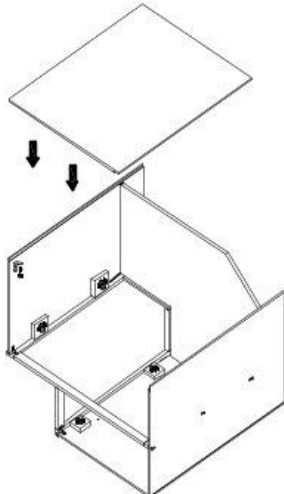
3



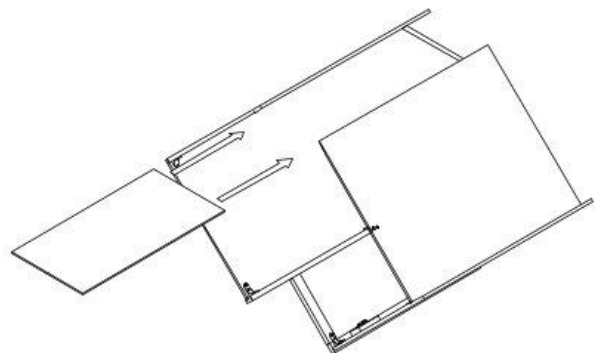
4



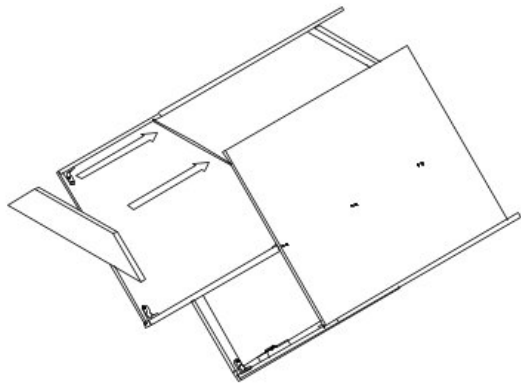
5



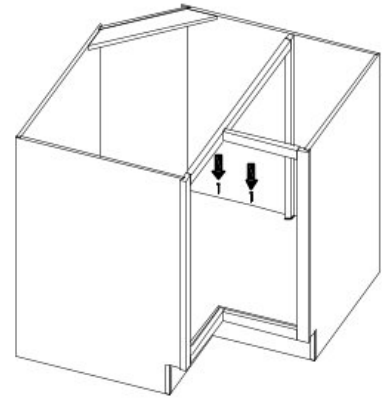
6



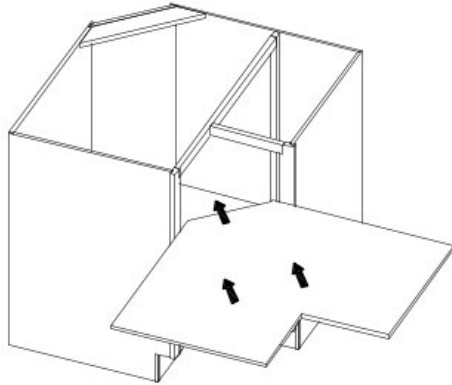
7



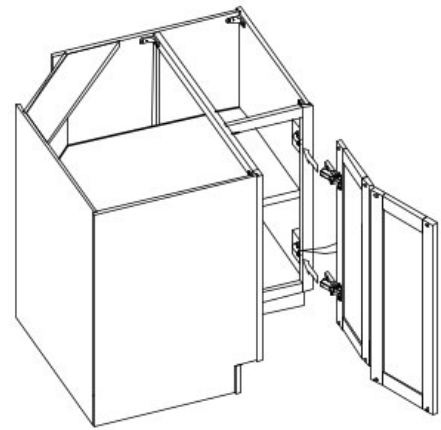
8



9

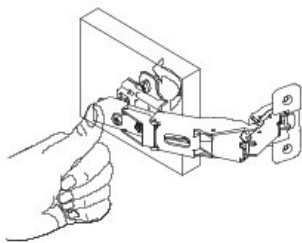


10

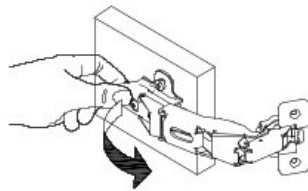


Hinge installation and adjustment

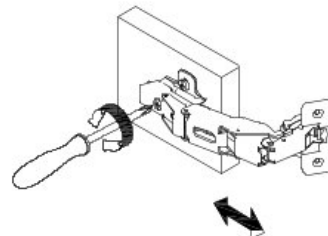
11



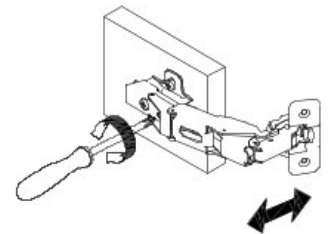
Click and lock



Click and remove



Depth adjustment



Side adjustment

12

