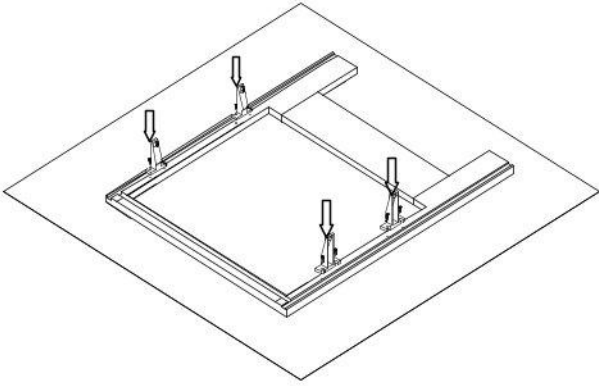
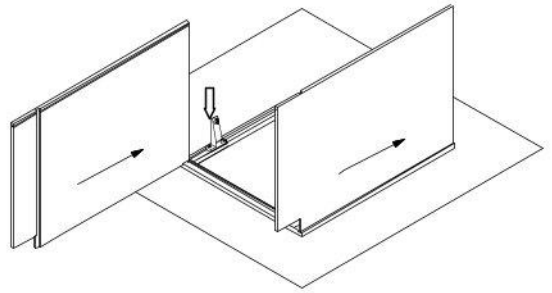


FSB Cabinet Assembly Instructions

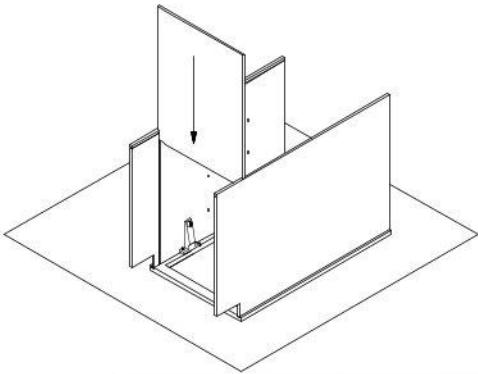
1



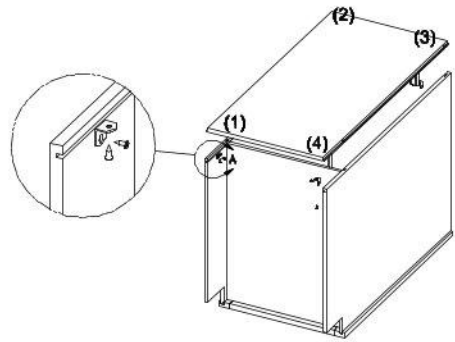
2



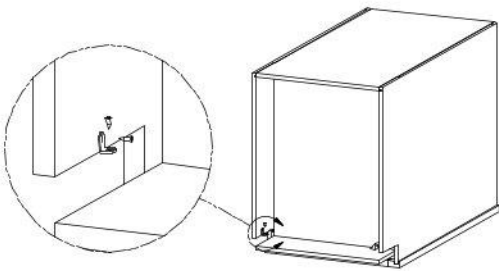
3



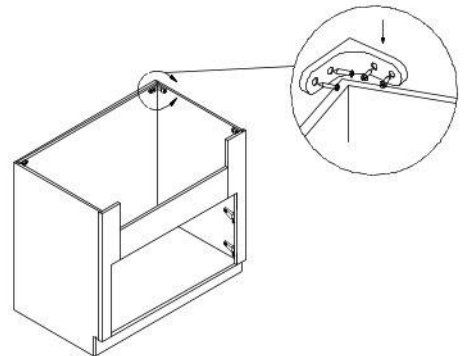
4



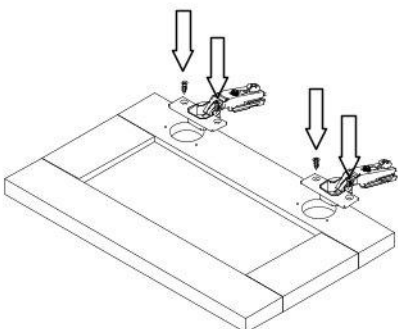
5



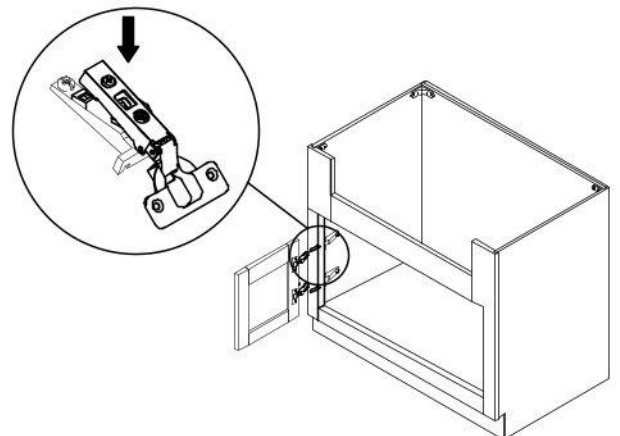
6



7

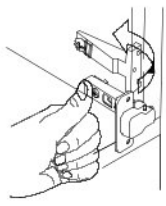


8

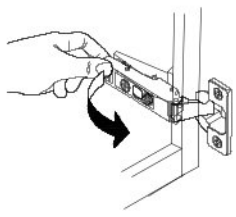


9

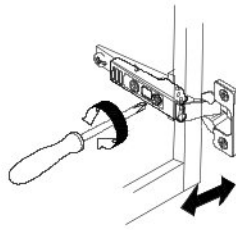
Hinge installation and adjustment



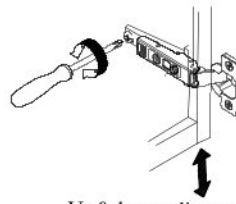
Click and lock



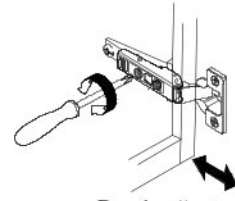
Click and remove



Side adjustment



Up&dowr adjustment



Depth adjustment

10

