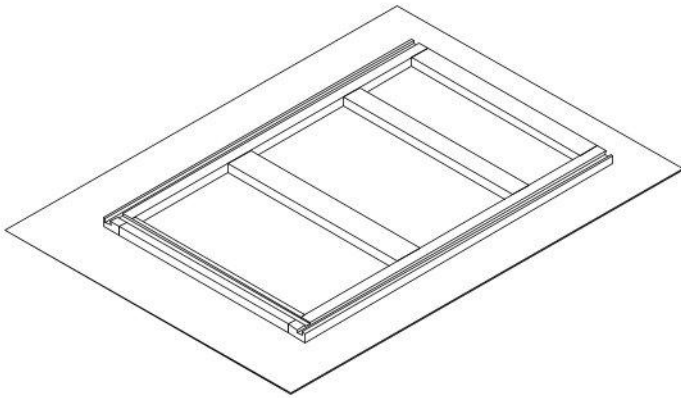


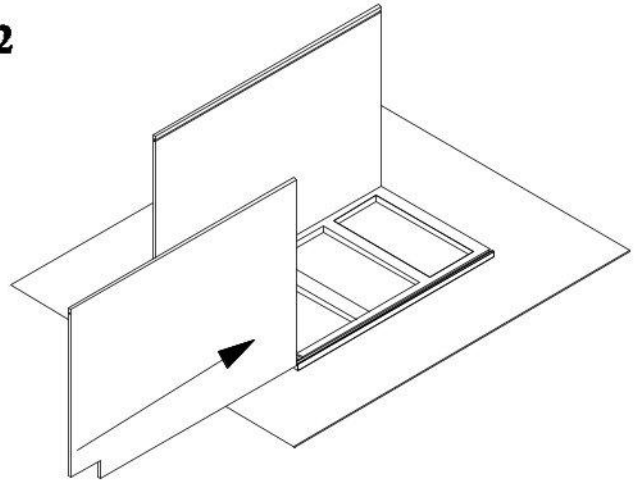
DB Cabinets

Assembly Instructions

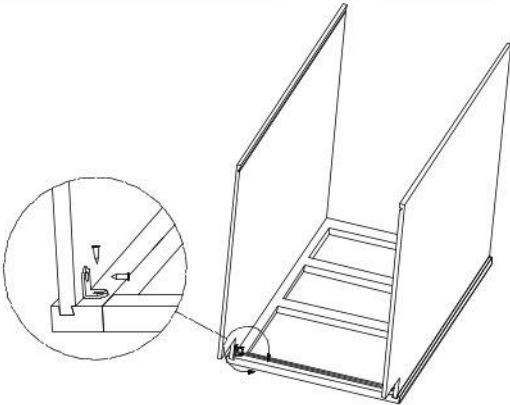
1



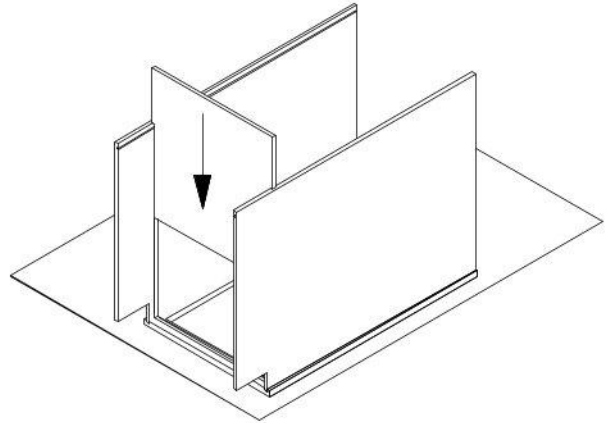
2



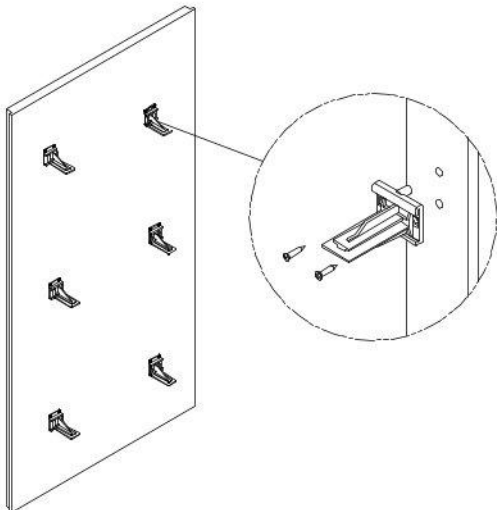
3



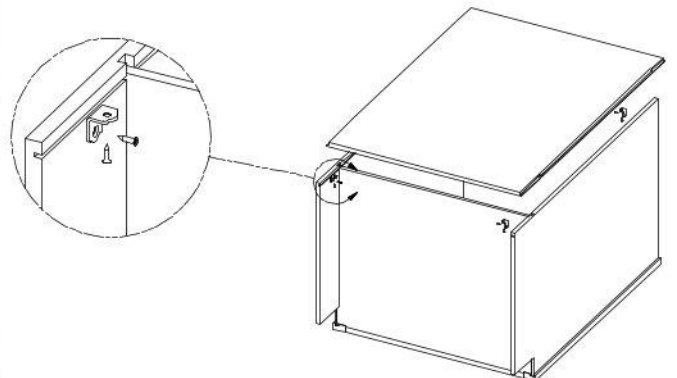
4



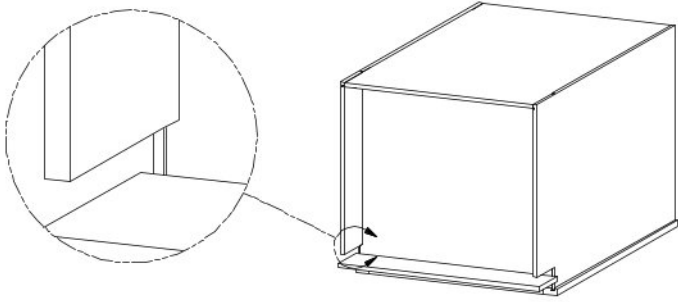
5



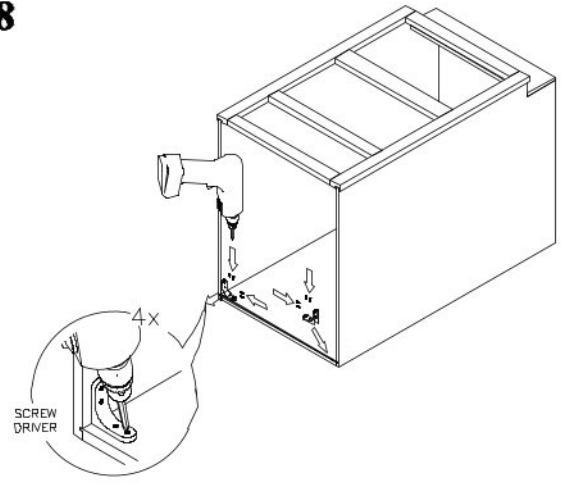
6



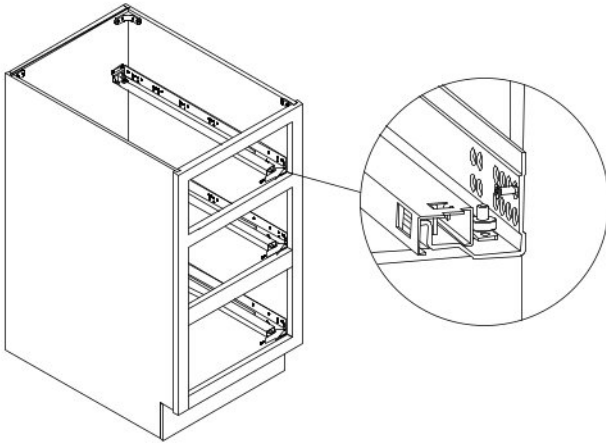
7



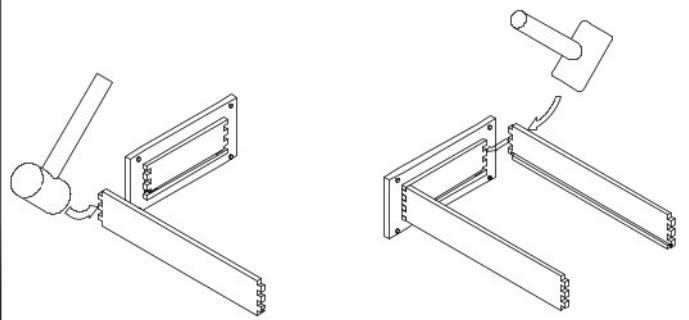
8



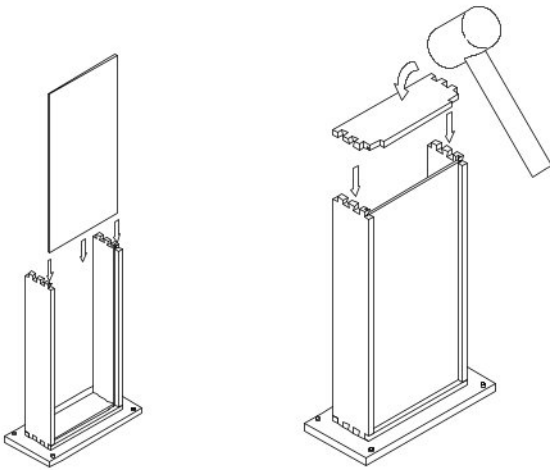
9



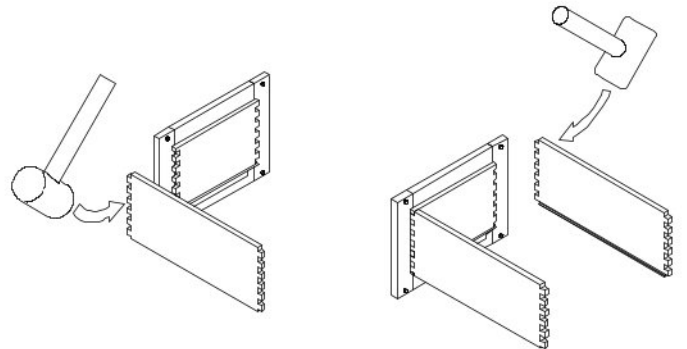
10



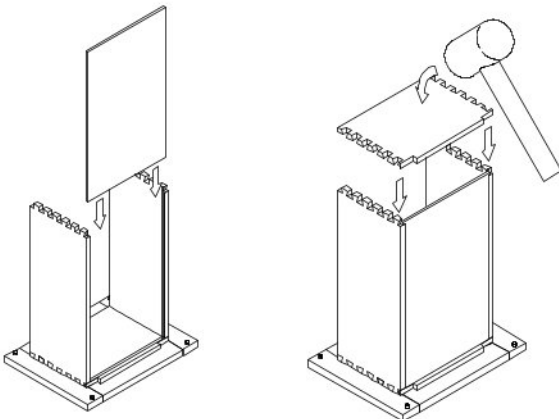
11



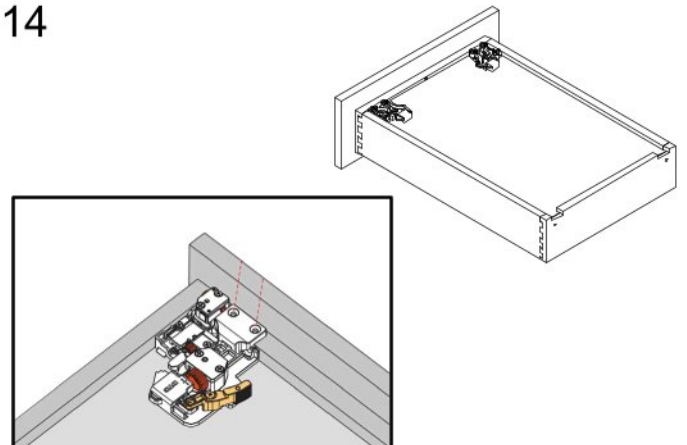
12



13

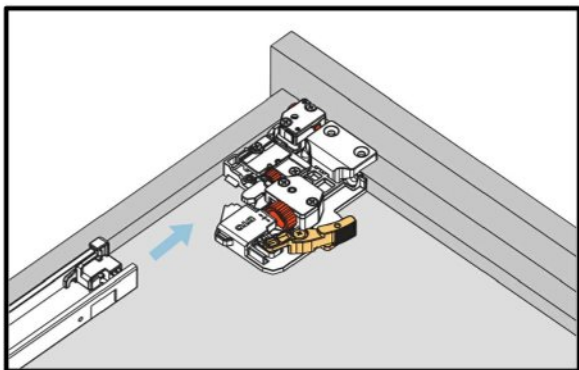


14



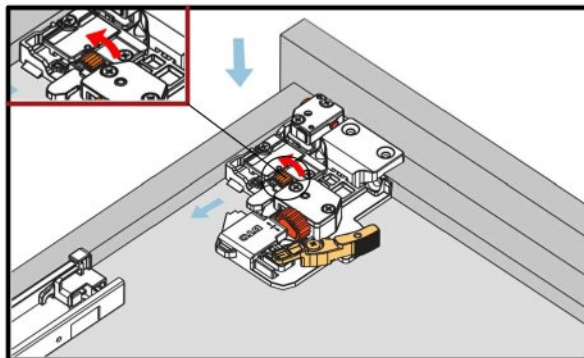
Put the adjusting part back and tighten the screws.

15



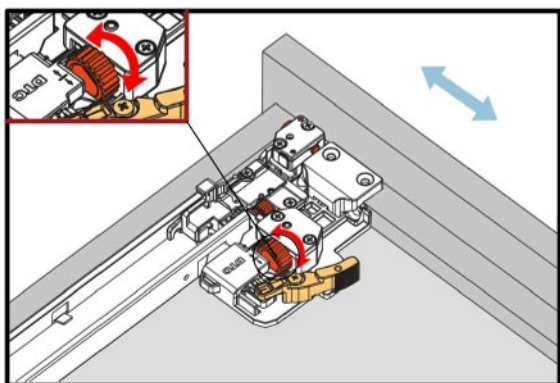
Lay the drawer bottom onto the slide then push the drawer into the cabinet.

16



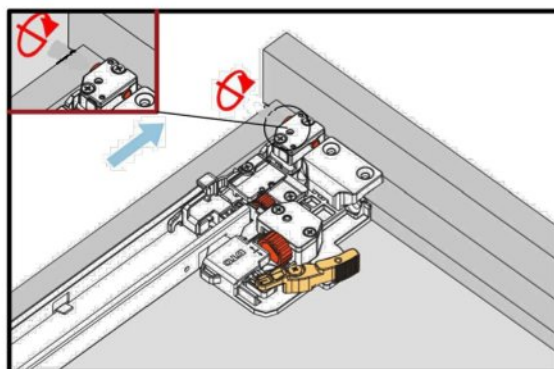
Up&Down adjustment

17



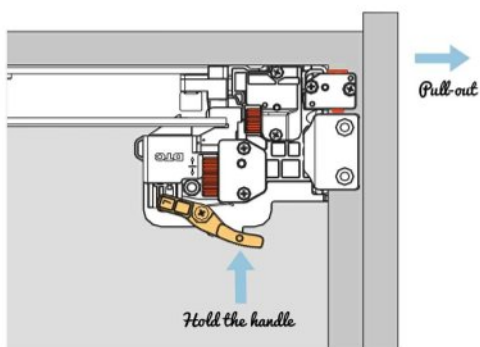
Side adjustment

18



Depth adjustment

19



Removal

20

21

