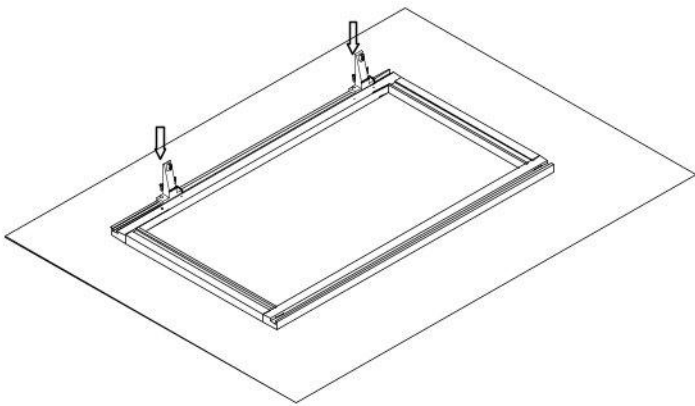
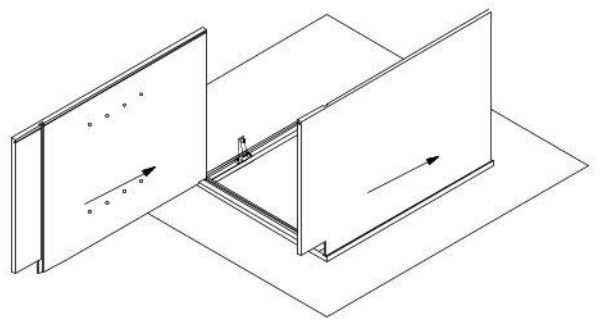


FHD Base Cabinet Assembly Instructions

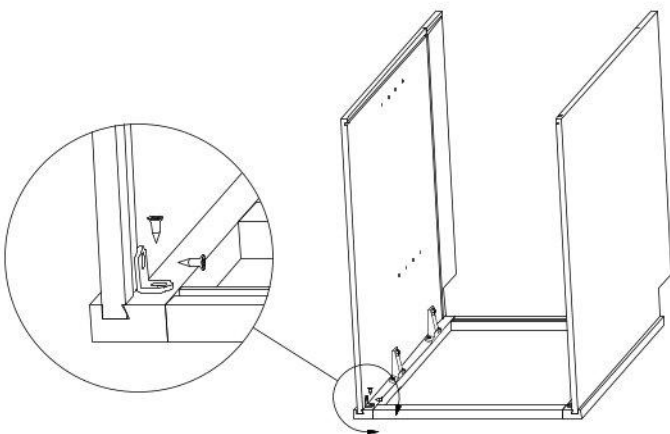
1



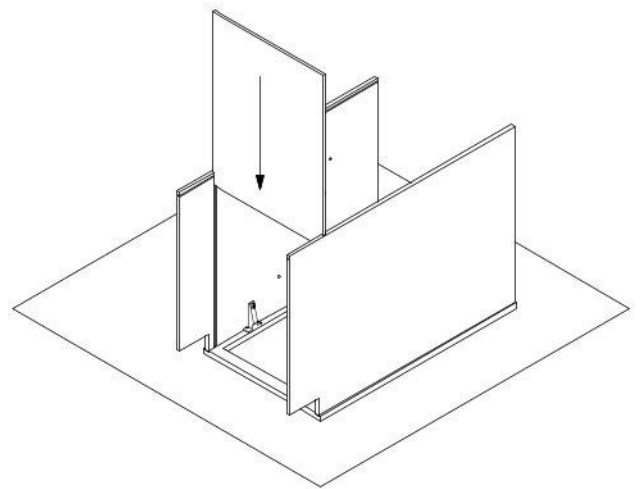
2



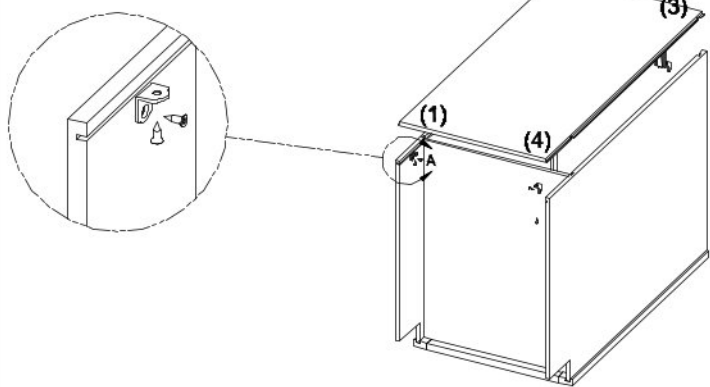
3



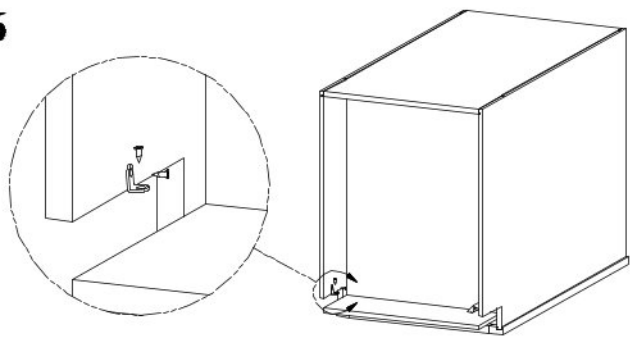
4



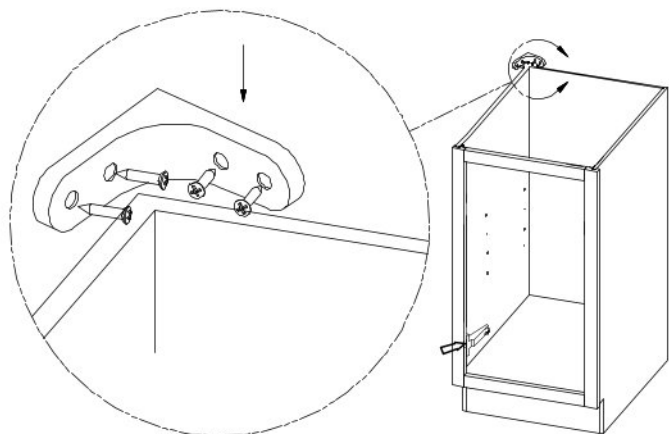
5



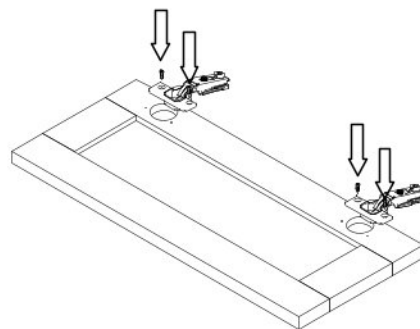
6



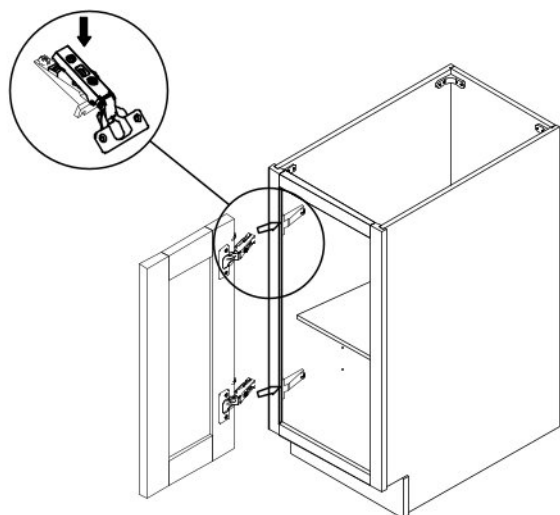
7



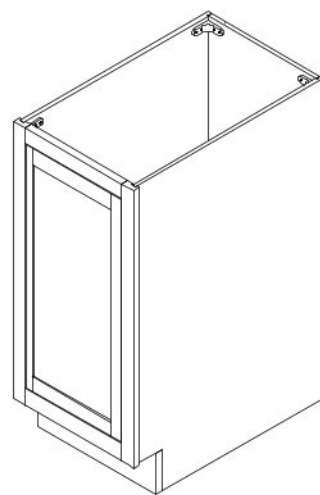
8



9

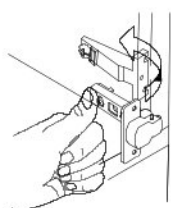


11

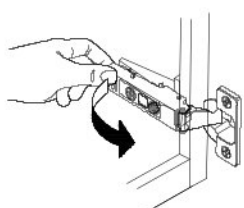


11

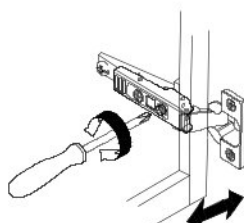
Hinge installation and adjustment



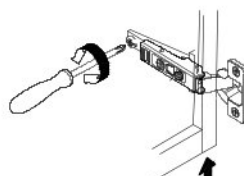
Click and lock



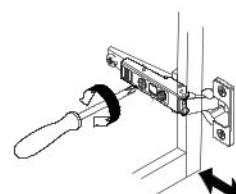
Click and remove



Side adjustment



Up&dowr adjustment



Depth adjustment