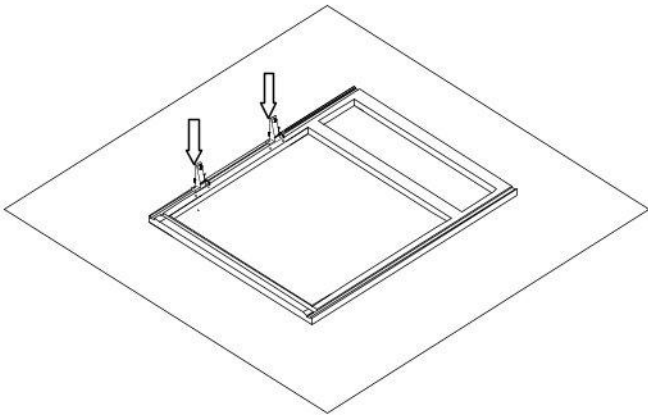
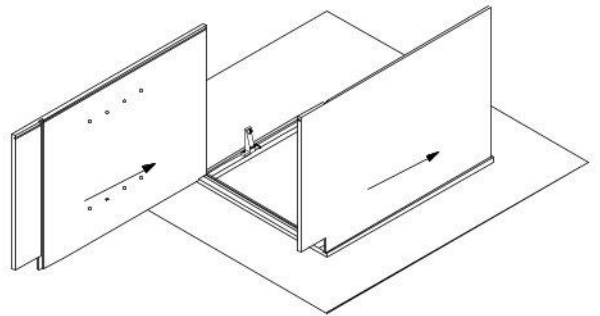


Base Cabinet Assembly Instructions

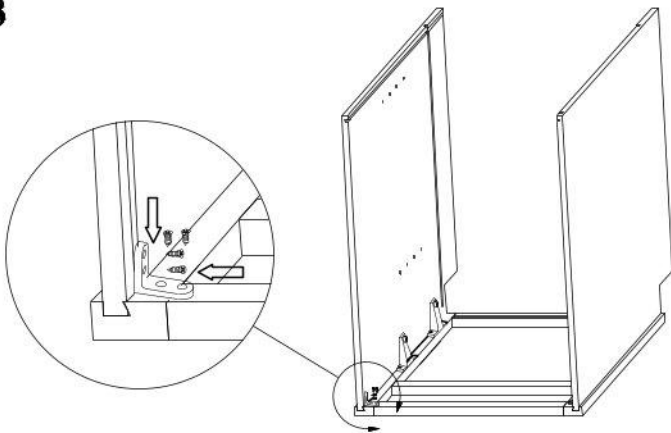
1



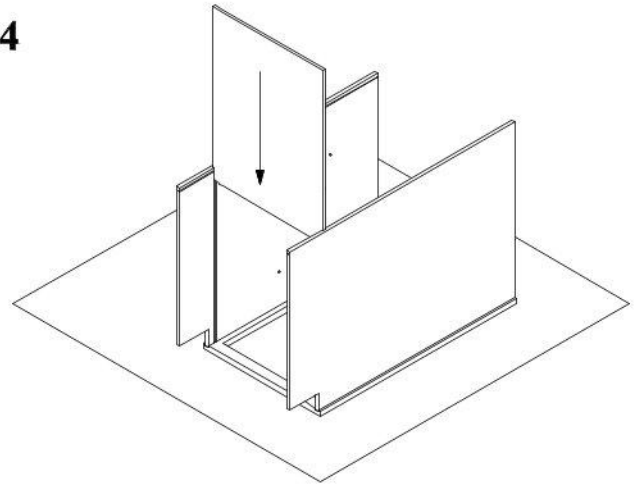
2



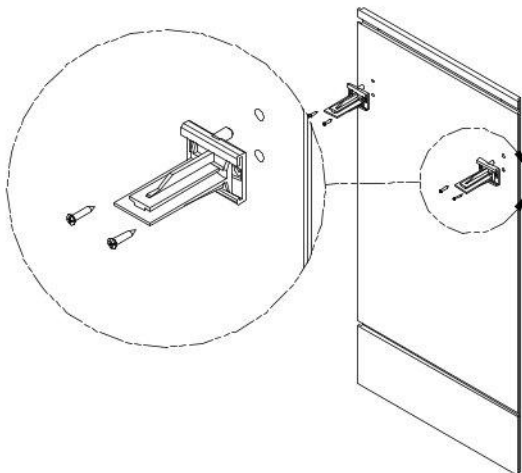
3



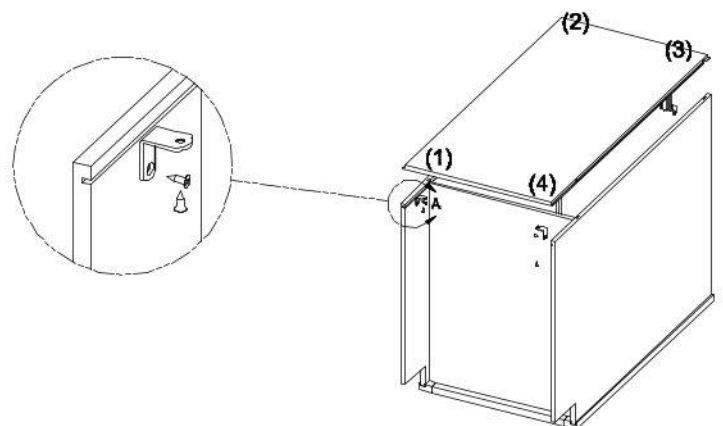
4



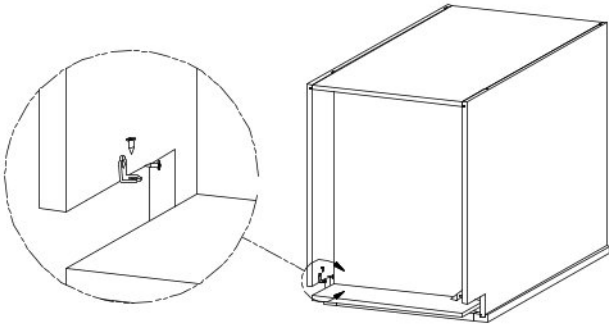
5



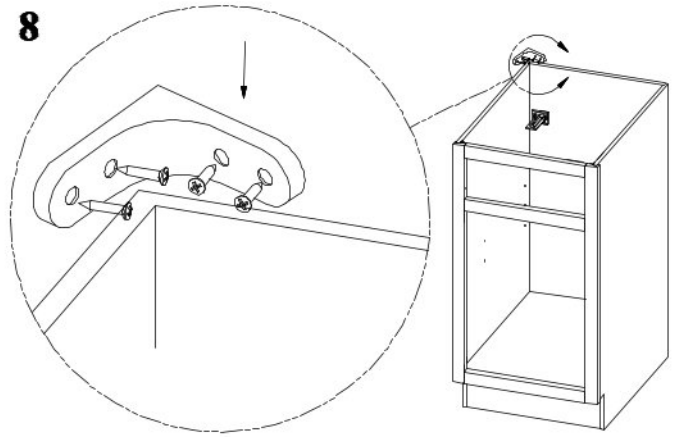
6



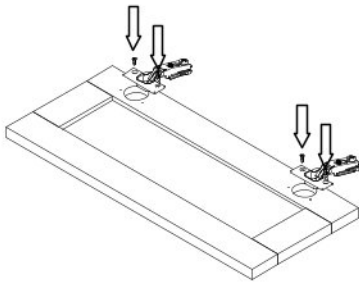
7



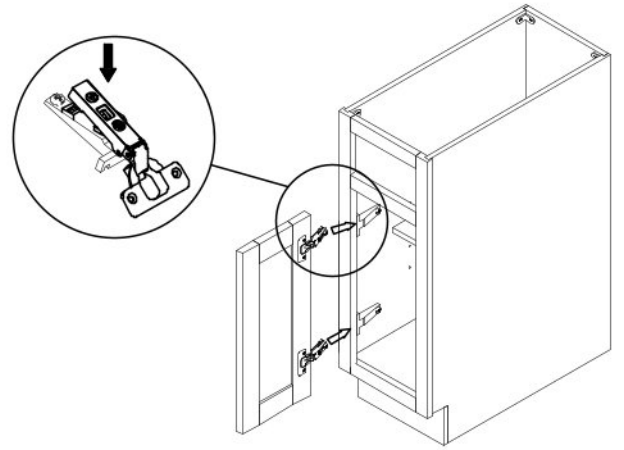
8



9

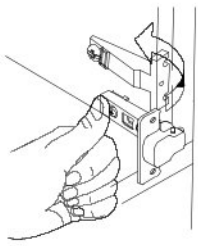


10

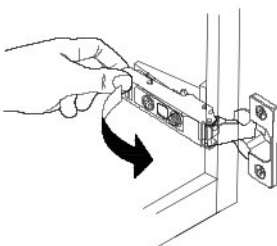


11

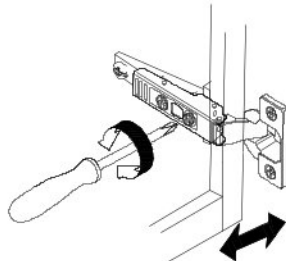
Hinge installation and adjustment



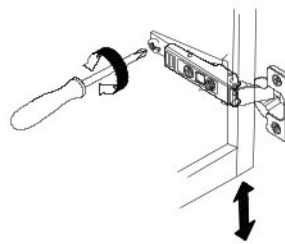
Click and lock



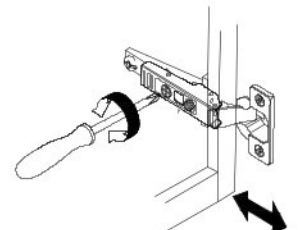
Click and remove



Side adjustment

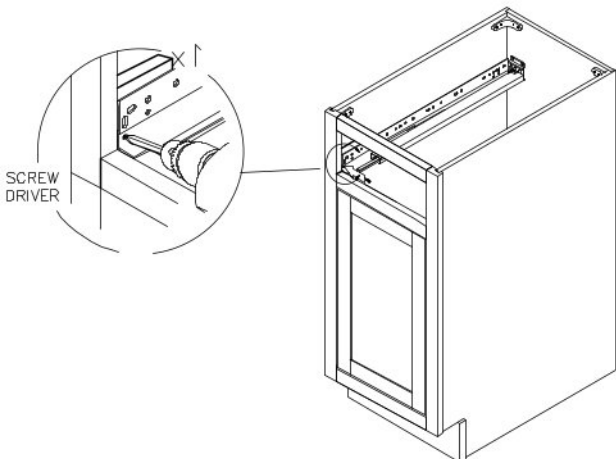


Up&down adjustment

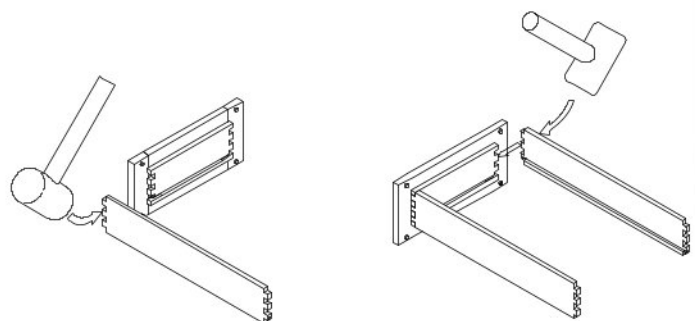


Depth adjustment

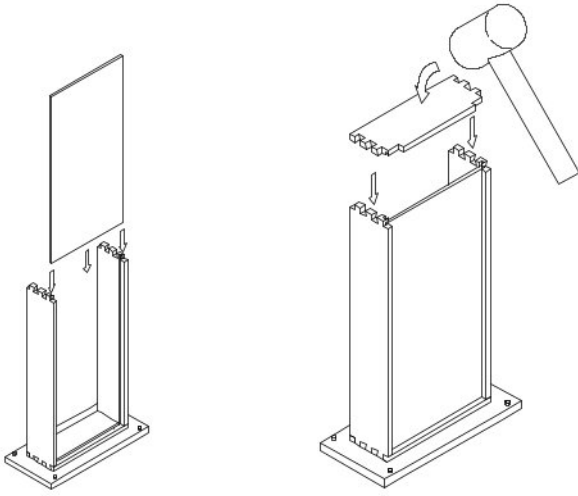
12



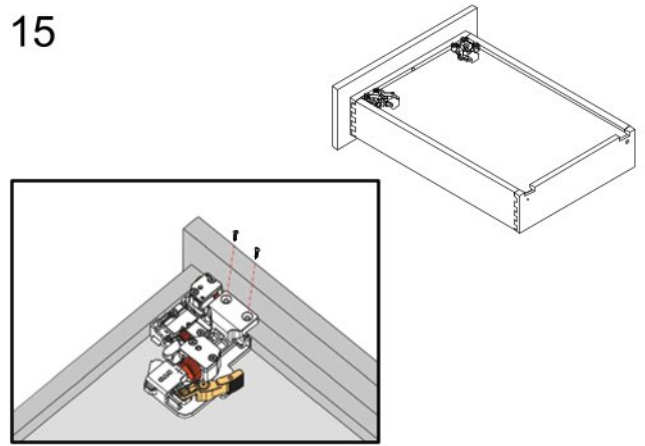
13



14

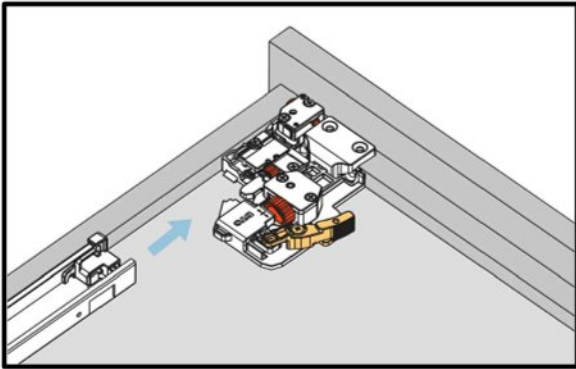


15



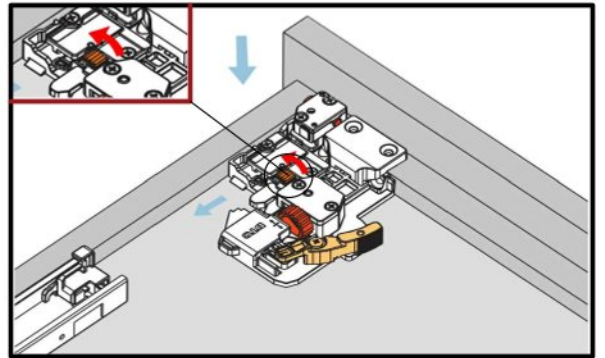
Put the adjusting part back and tighten the screws.

16



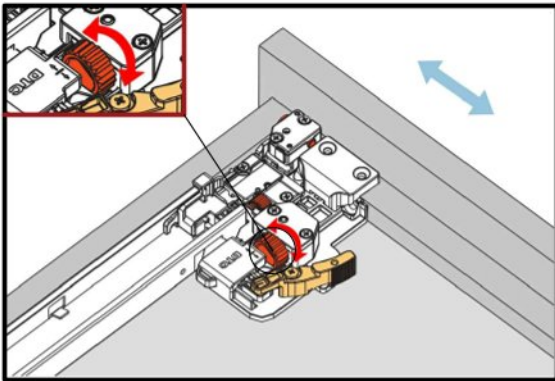
Lay the drawer bottom onto the side then push the drawer into the cabinet.

17



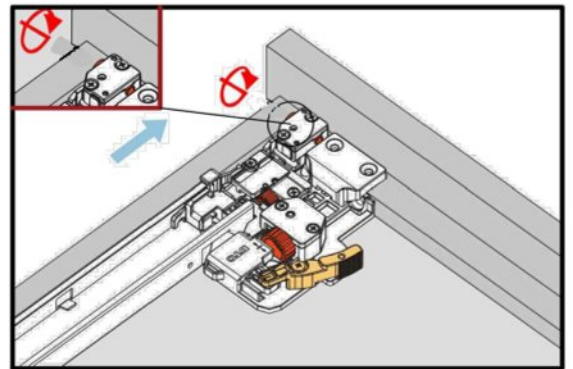
Up&Down adjustment

18



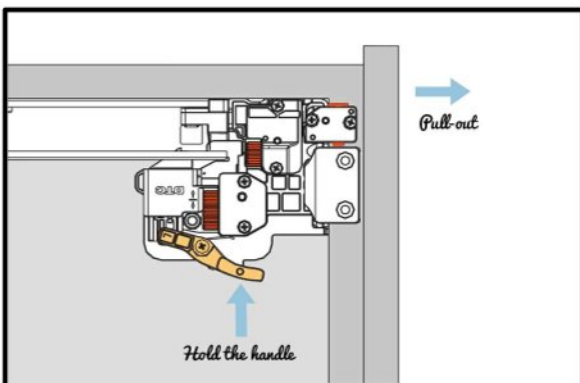
Side adjustment

19



Depth adjustment

20



Removal

21

