



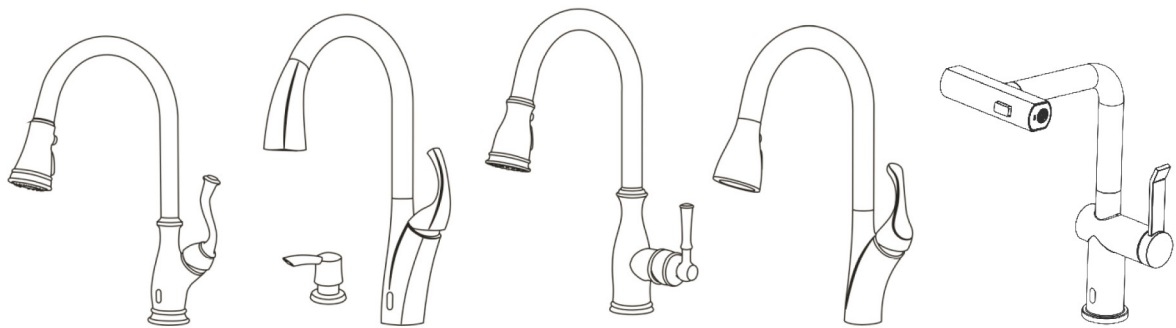
THE ANSWER TO IDEAL LIVING

PRODUCT INSTALLATION MANUAL

WHEN IT COMES TO HOME, THIS IS THE BEST ANSWER.

INSTALLATION AND CARE GUIDE

KITCHEN SINK FAUCET



Important Information

- Observe all local plumbing and building codes. Review the care and cleaning section included in this guide.

Warranty

LIMITED WARRANTY

product are manufactured with superior quality standards and workmanship and are backed by our limited Warranty. products are warranted to the original consumer purchaser to be free of defects in materials or workmanship. We will replace FREE OF CHARGE any product or parts that prove defective. Simply, return the product/part to us. Or send an email to receive the replacement item. Proof of purchase (original sales receipt) from the original consumer purchaser must be made available for all claims. Some states and provinces do not allow the exclusion of limitation of incidental or consequential damages, so the above limitations may not apply to you. This warranty gives you specific legal rights and you may also have other rights that vary from state to state and province to province.

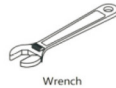
Pre-Installation

Before beginning the installation of this product, ensure all parts are present. Compare parts with the Package Contents list. If any part is missing or damaged, do not attempt to install the product. Contact Customer Service for replacement parts.

TOOLS AND HARDWARE REQUIRED



Screwdriver



Wrench

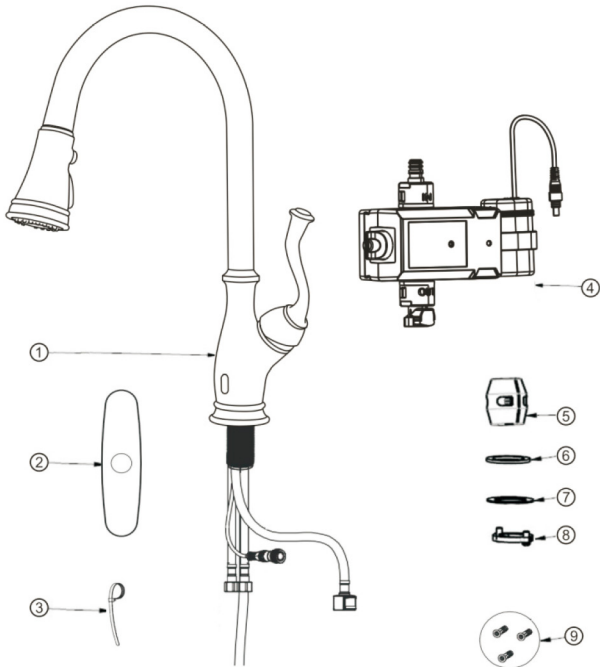


Glasses



Bucket

Pre-Installation (Touchless kitchen sink faucet)

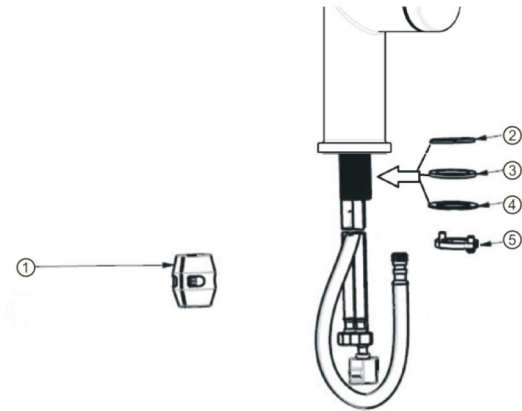


PACKAGE CONTENTS

Part	Description	Quantity
1	Faucet assembly	1
2	Escutcheon	1
3	Zip tie	1
4	Control box	1
5	Weight	1
6	Rubber washer	1
7	Metal washer	1
8	Mounting nut w/screws	1
9	Mounting screws	3

Pre-Installation

PACKAGE CONTENTS



Part	Description	Quantity
1	Weight	1
2	Rubber O-ring	1
3	Rubber washer	1
4	Metal washer	1
5	Mounting nut w/screws	1

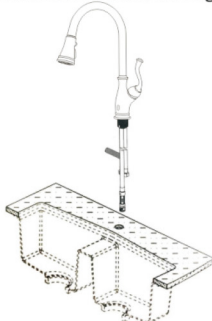
Installation

1. Installing the faucet assembly (for single-hole sink)

CAUTION: Always shut off the water supply before removing an existing faucet or replacing any part of a faucet. Open the faucet handle to relieve water pressure and ensure that the water is completely shut off.

NOTE: This step is for no escutcheon installation (optional). If the escutcheon will be used, install the faucet assembly as described in step 2.

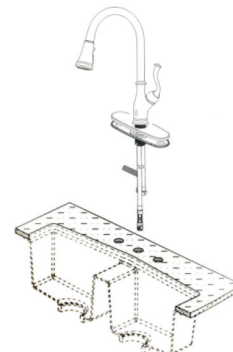
- Shut off the water supply.
- Insert the faucet body through the hole in the sink.



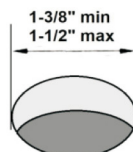
2. Installing the faucet assembly (for 3-hole sink)

NOTE: This step is for baseplate installation (optional). If the baseplate will not be used, install the faucet assembly as described in step 1.

- Shut off the water supply.
- Place the baseplate (3) and the seal (4) on the bottom of the new faucet assembly (1).
- Insert the faucet body through the hole in the sink.

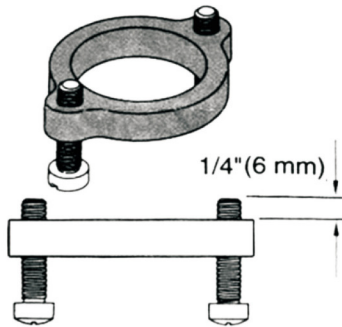


Pre-drilled hole size: 1-3/8" ~ 1-1/2"



Installation

3. Partially thread the screws into the ring until they extend 1/4" (6mm) out the opposite side

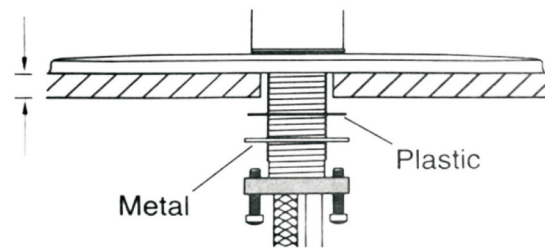


4. Slide on the washers and thread the ring onto the shank



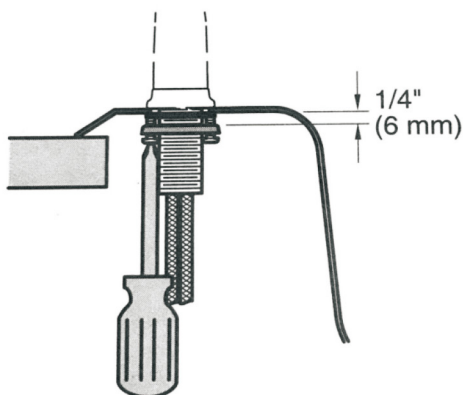
NOTE:

Max countertop thickness without deck plate: 2.7"
Max countertop thickness with deck plate: 2.4"



Installation

5. Tighten the screws

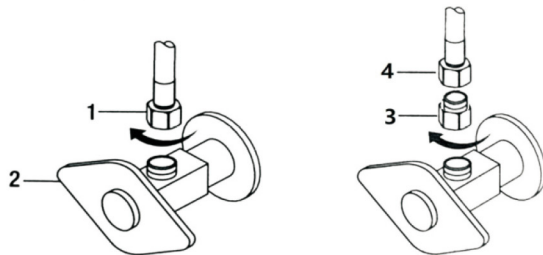


6. Connect the water supply system



NOTE: The hot side and cold side inlet tube are indicated by color. Red for Hot side and Blue for Cold side. Avoid twisting wires together or placing the wires close to each other and damaging

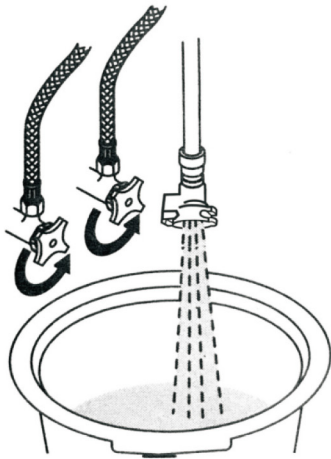
- Thread the nut(1) on the supply line onto the outlet of the water supply valve(2) and tighten with a wrench. Do not overtighten



- If the size of the water supply valve is 1/2", first screw in the 1/2" adapter and then screw in the water inlet nut of the faucet. (3~4)

Installation

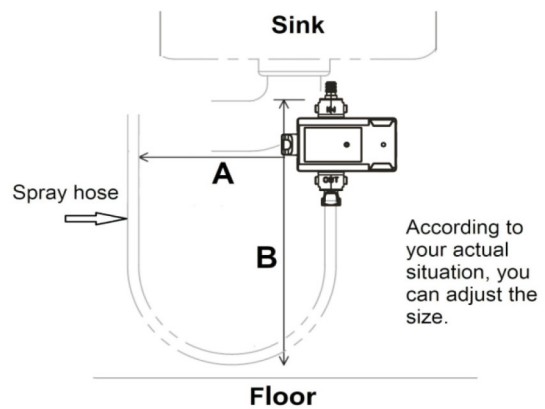
7. Connect to the inlet system, then turn on the switch for about 1 minute, flush the sewage and check for leaks



8. Measure the installation size of the control box. (If it's touchless kitchen sink faucet)

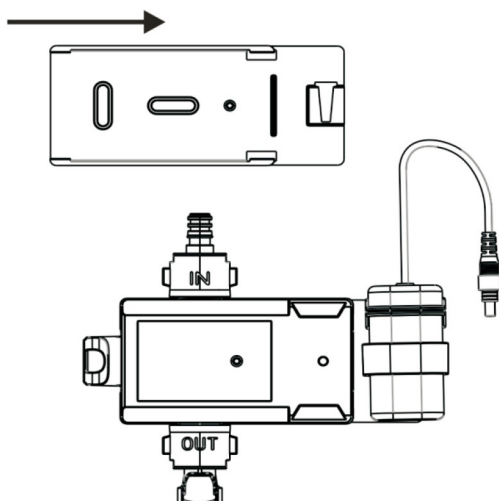
A = Preferred distance between spray hose and control box 9-4/5"

B = The distance between the mounting hole and the box is 17-3/5"

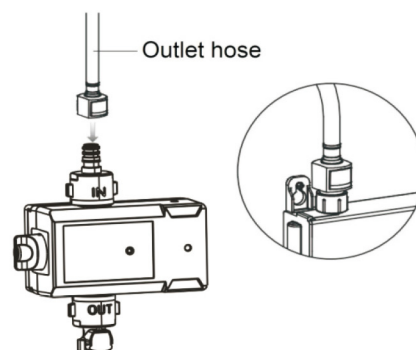


Installation (If it's touchless kitchen sink faucet)

9. Mounting screws to secure the control box

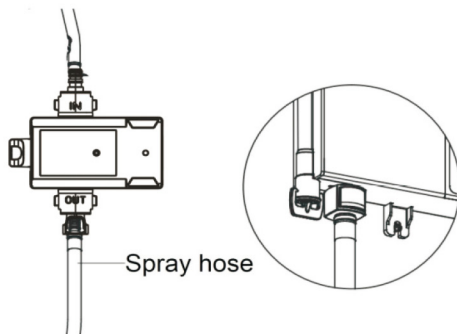


10. Connect the outlet hose to the connector on the top of the control box

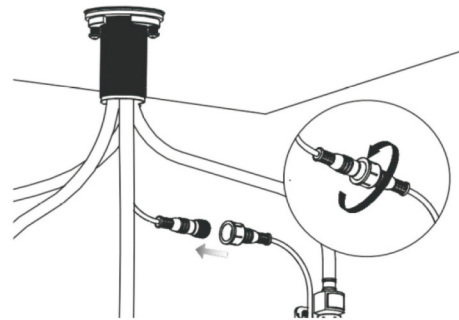


Installation (If it's touchless kitchen sink faucet)

11. Connect the spray hose to the connector on the bottom of the control box.

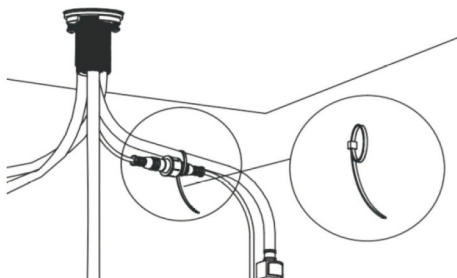


12. Connect the sensor cable.

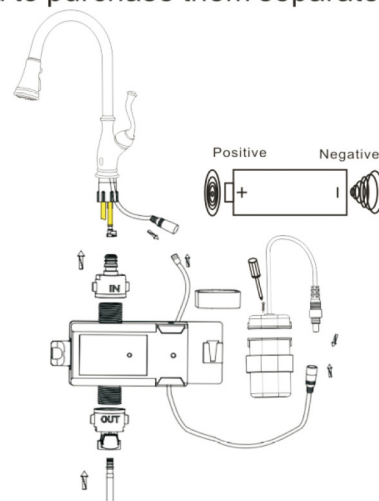


Installation (If it's touchless kitchen sink faucet)

13. Bundle the sensor cable with the water outlet hose to avoid poor contact.

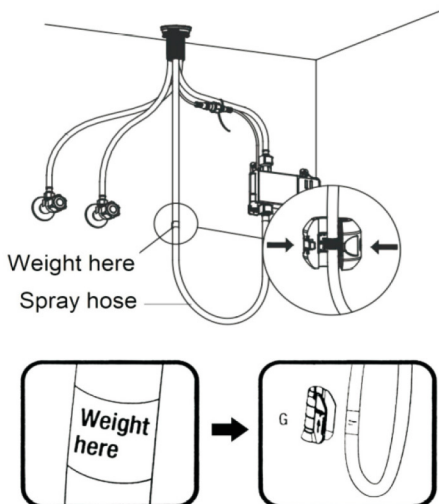


14. Use a screwdriver to loosen the screws on the cap of the sensor box and then install 4 AA Batteries. Please pay attention to the positive/negative electrode of the battery. (Batteries not included in the package, need to purchase them separately)



Installation

15. Install the gravity ball on the label position of the spray hose.



16. Test after installation

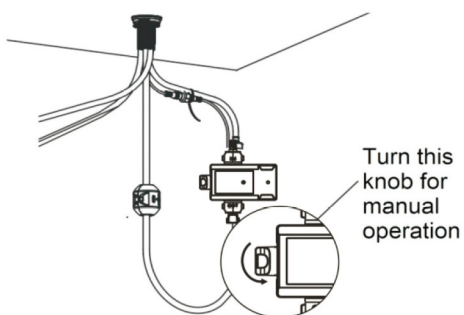


1. Open the switch of the handle by hand and wave your hand on the sensor.
2. Turn the handle to set the temperature.
3. Test the switch by waving your hand back and forth on the sensor.
4. If you turn on the faucet but forget to turn it off, it will automatically turn off after 3 minutes.
5. After the test is correct, congratulations, a perfect faucet will accompany you.

Installation

17. Switch to manual operation

If you want to switch to manual operation, just turn this knob.



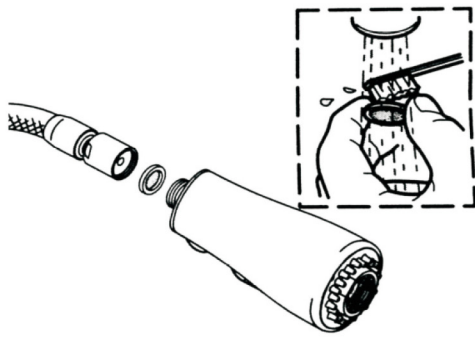
Faucet Maintenance

1. Rubbing with fingers can remove impurities, scale, calcium and so on.

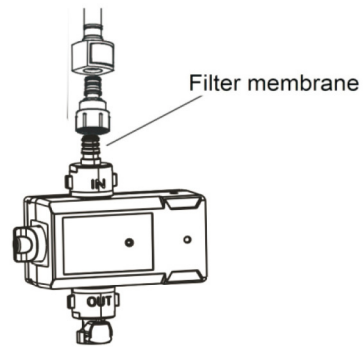


Faucet Maintenance

2. When the water pressure weakens, unscrew the spray head and clean the screen washer.

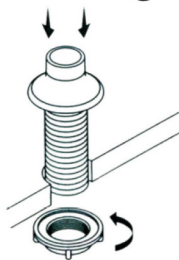


3. When the water pressure weakens, first turn off the water inlet system, and then unscrew the connector on the control box to clean the filter membrane.

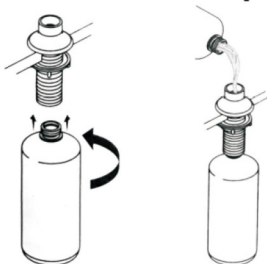


Install the soap dispenser (if it's included)

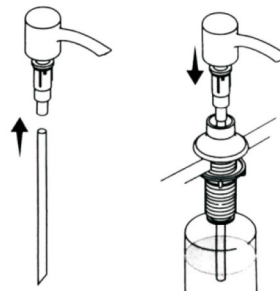
1. Install the soap dispenser escutcheon and gasket



2. Install the soap bottle to the sink. Fill the soap bottle



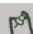
3. Install the flat end of the tube to the pump, then secure the pump to the soap bottle



Care and Cleaning

- To clean, wipe down with a damp cloth and dry with a towel.
- Do not use abrasive cleaner, steel wool, or harsh chemicals when cleaning this faucet, or the warranty will be voided.

Troubleshooting

 NOTE: Refer to the service parts section in this manual for a detailed drawing showing the location of the parts listed below

Problem	Possible Cause	Solution
There are leaks underneath the handle.	There are leaks underneath the handle.	<input type="checkbox"/> Tighten the bonnet nut. Clean or replace the O-ring.
The aerator leaks or has an inconsistent water flow pattern.	The aerator is dirty or misfitted. The cartridge may clogged.	<input type="checkbox"/> Remove the aerator and check for debris in the aerator screens. <input type="checkbox"/> Remove the cartridge and check for debris. <input type="checkbox"/> Ensure the aerator is properly installed.
There are leaks from the house underneath the deck.	The hose and discharge tube connection may be loose.	<input type="checkbox"/> Tighten the connection between the discharge tube and hose.
The hose does not retract.	The weight is not installed in the appropriate position	<input type="checkbox"/> Reinstall or readjust the weight
The water pressure is low	The sprayhead screen washer is clogged	<input type="checkbox"/> Turn off the water supply and disconnect the sprayhead. <input type="checkbox"/> Clean the screen washer under running water. <input type="checkbox"/> Pull the screen washer back to the hose connector and screw the sprayhead back. <input type="checkbox"/> Test water flow. If the pressure is still low then replace the sprayhead.

THANK YOU

We appreciate the trust and confidence you have placed in us through the purchase of this kitchen faucet. We strive to continually create quality products designed to enhance your home. Visit us online to see our full line of products available for your home improvement needs.



THE ANSWER TO IDEAL LIVING



Call us (9-8 EST): +1 888-257-3857

Email us (24/5) : service@casainc.com

Message us : +1 562-551-8092

For sales : dtc@casainc.com