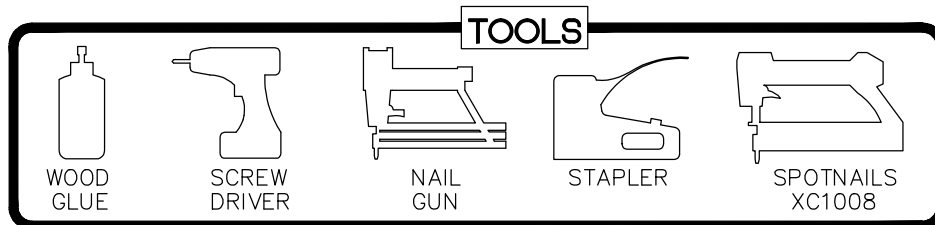
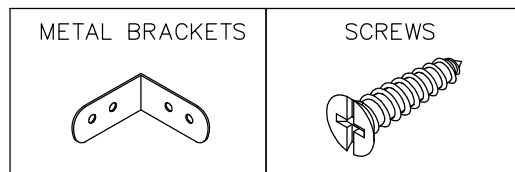
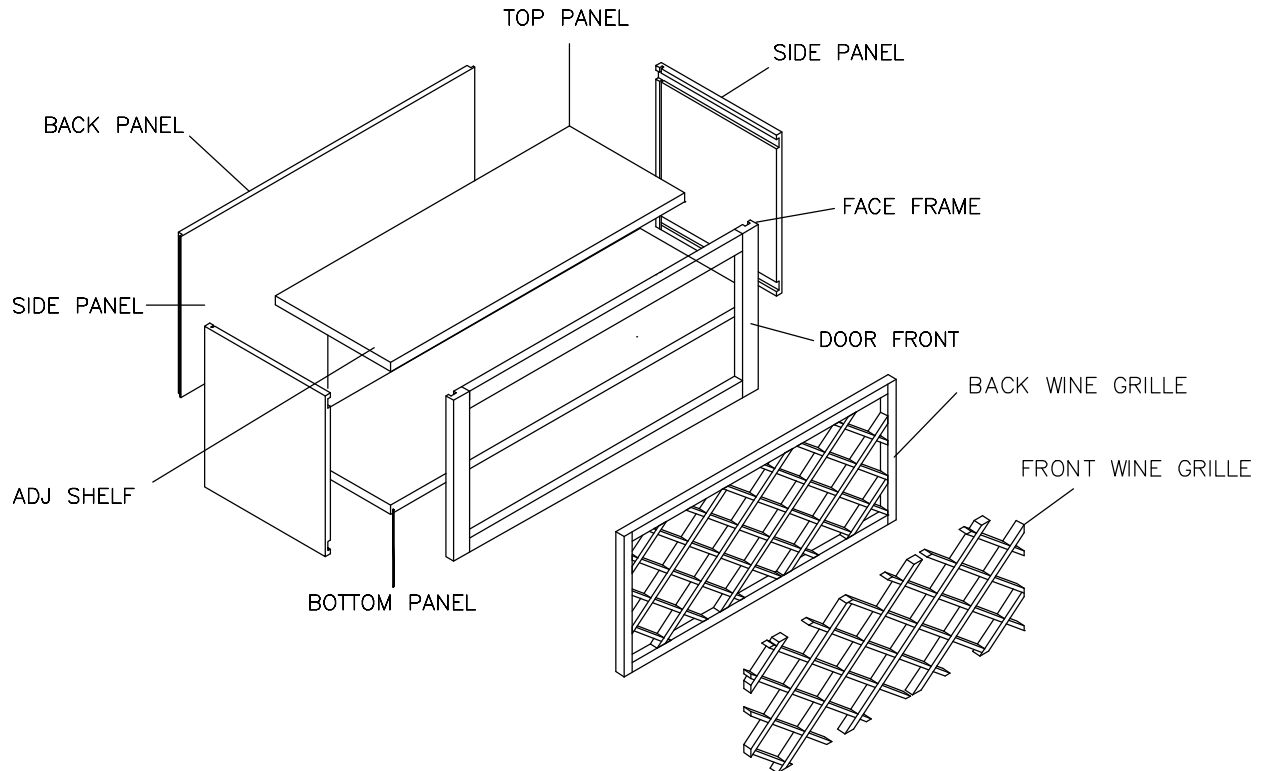


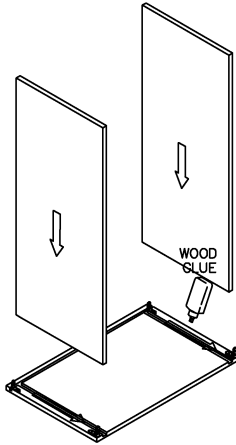
ASSEMBLY INSTRUCTIONS - WALL WINE RACK CABINET



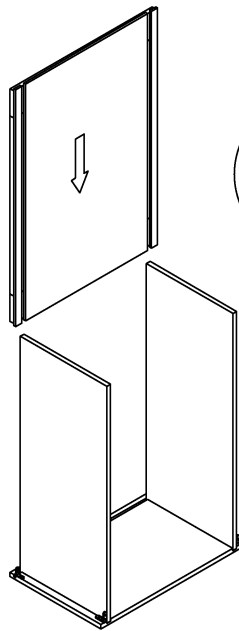
This instruction applies to the following items:
WRC3018

STEP 1

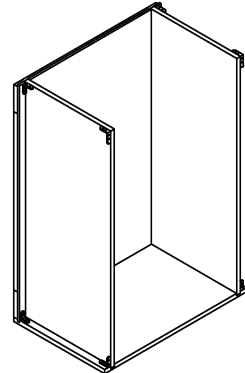
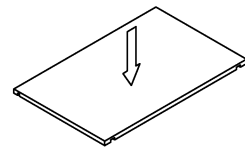
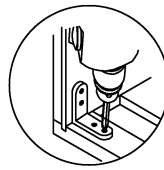
Glue each assembly slot



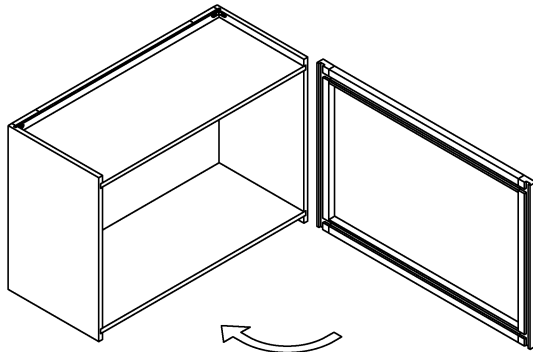
STEP 2



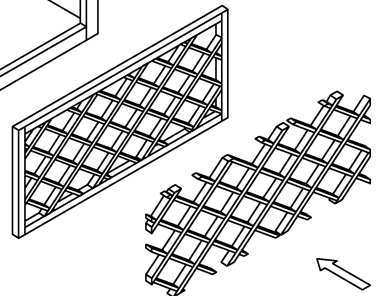
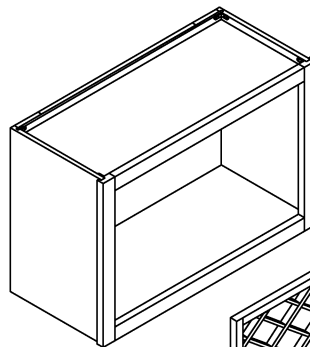
STEP 3



STEP 4



STEP 5



STEP 6

