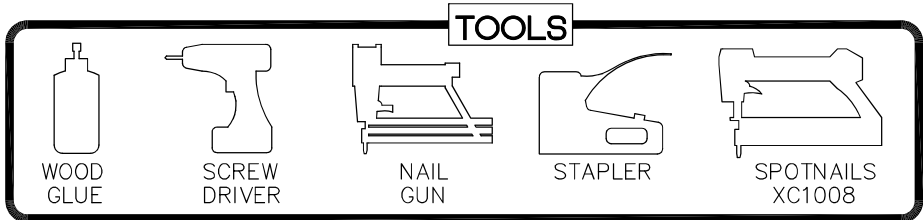
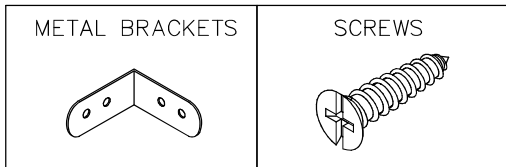
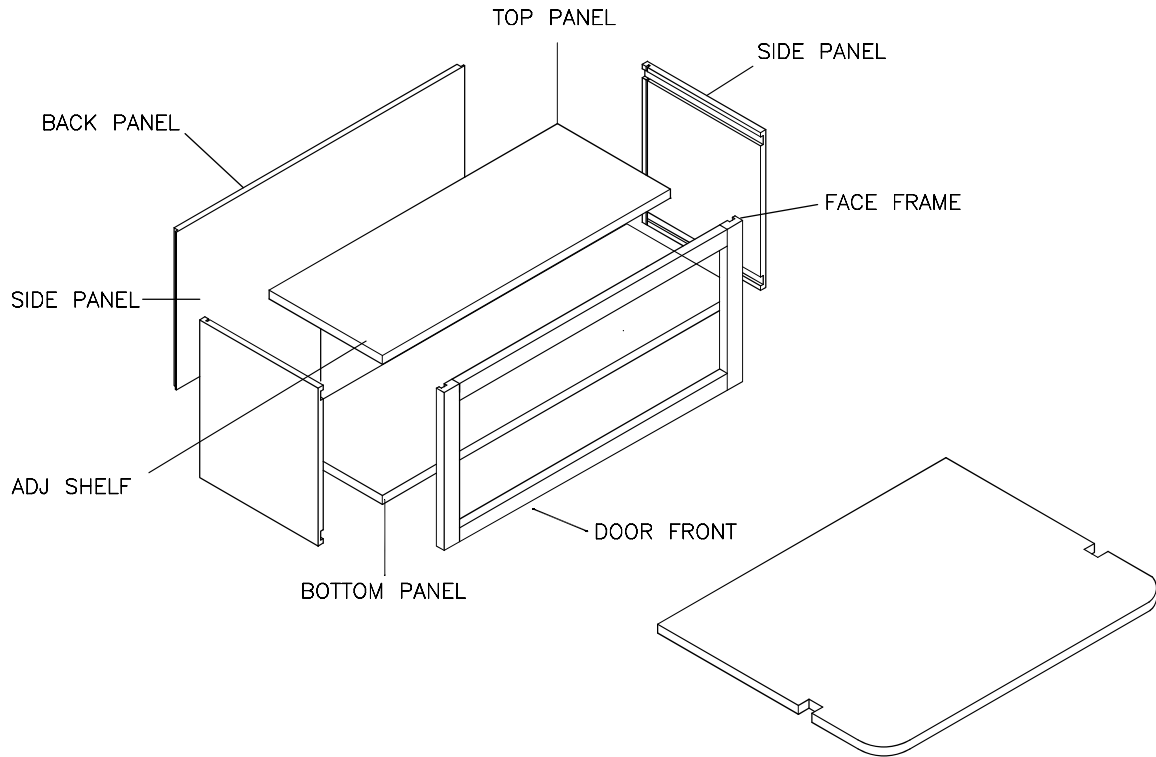


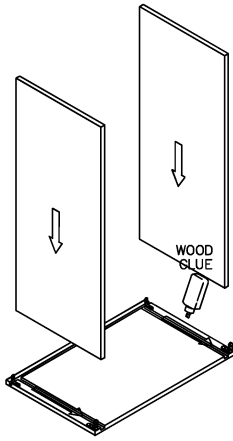
# ASSEMBLY INSTRUCTIONS - WALL MICROWAVE CABINET



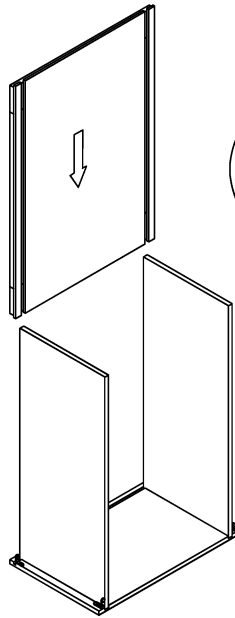
This instruction applies to the following items:  
WMC3018

STEP 1

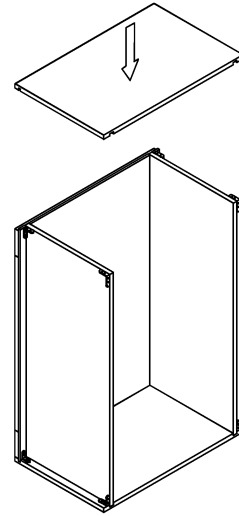
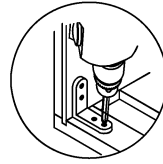
Glue each assembly slot



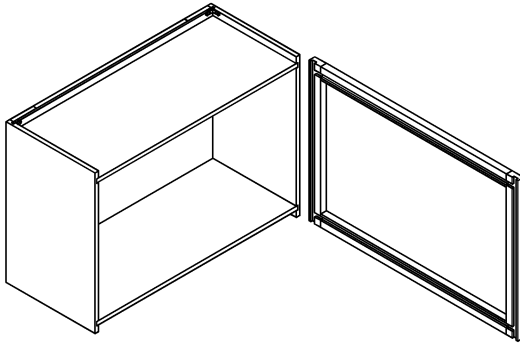
STEP 2



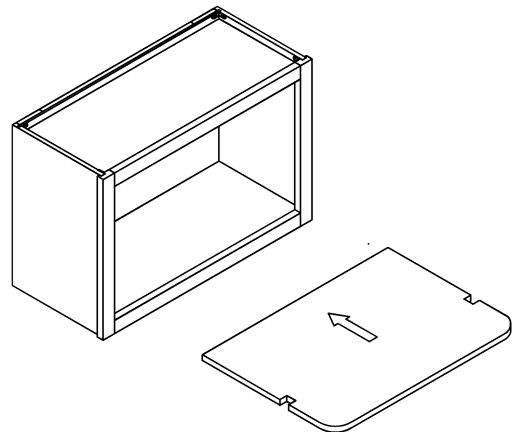
STEP 3



STEP 4



STEP 5



STEP 6

