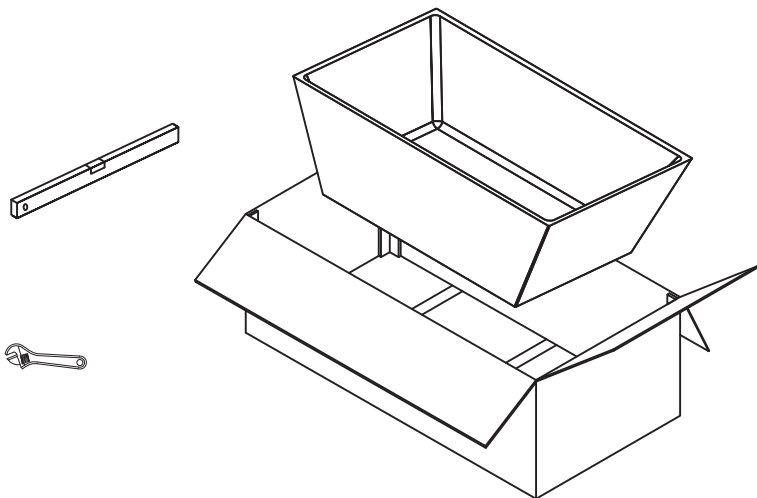
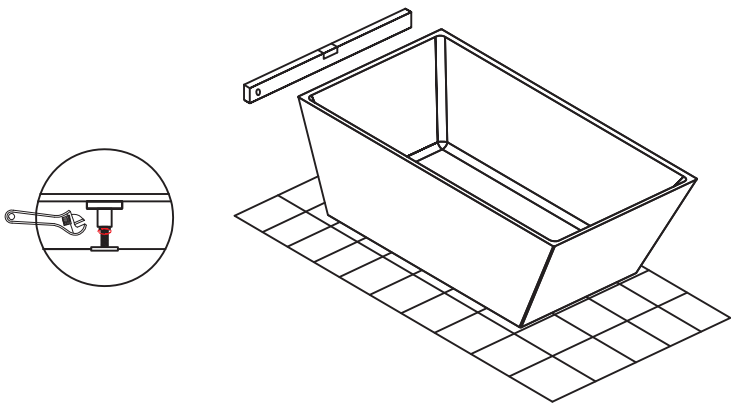


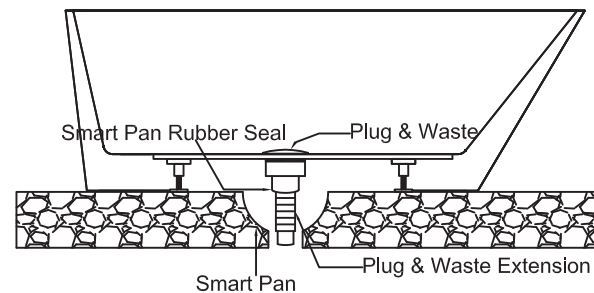
1. Remove the Bath from the carton.  
Ensure that the Bath does not come into contact with rough surfaces.  
Rough surfaces will scratch your Bath .  
Always ensure that the Bath is placed on cardboard or carpets during installation.  
Place the Bath in position for installation.



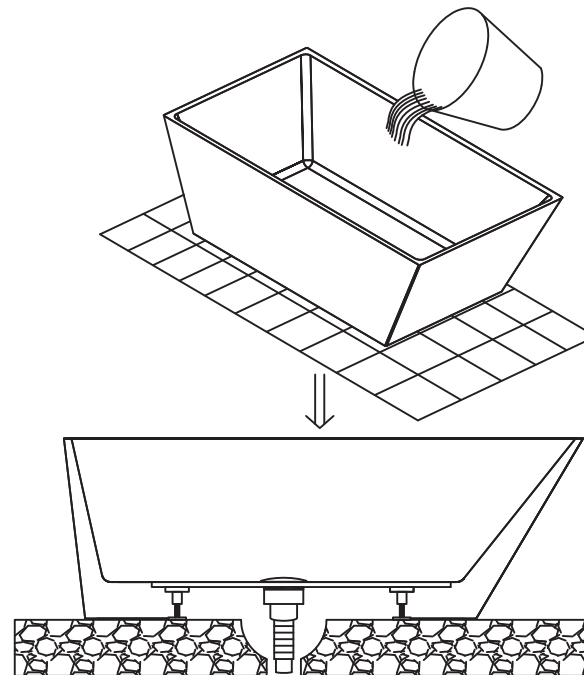
2. Adjust the self-levelling feet such that the Bath is level.  
Only if the Bath is level will all water drain to the waste outlet.  
Please ensure legs are adjusted in line with the base of bath.  
Check that bath sits flat.



3. Connect the Bath to the waste outlet.



4. Finally you need to do a final test for drainage.  
Ensure that the thin masking plastic adhered to your bath during manufacture has been removed . Fill the Bath with water and check that ALL the water flows freely to the waste outlet .  
A small amount of water may pool owing to surface tension.



5. Apply a thick bead of silicone within bath outline allow to set 24 hours.  
This installation guide, the installation of waste connection should be only suitably by qualified person.