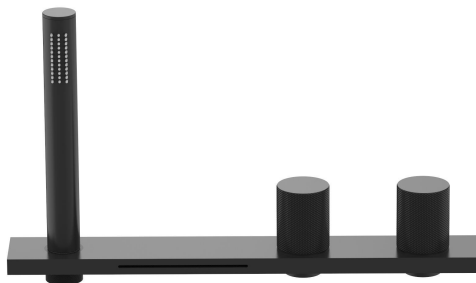


BATH FAUCET

Installation Manual

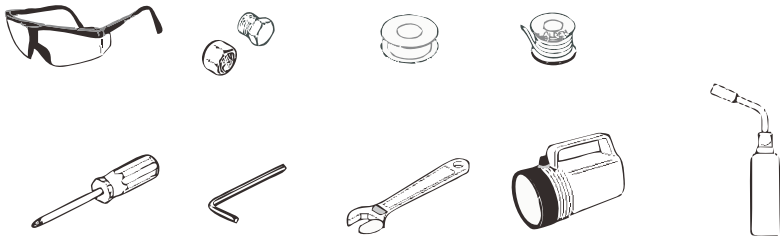


CA-H4344-BN/MB/CP/BG/MW/ORB

◆ INSTALLATION

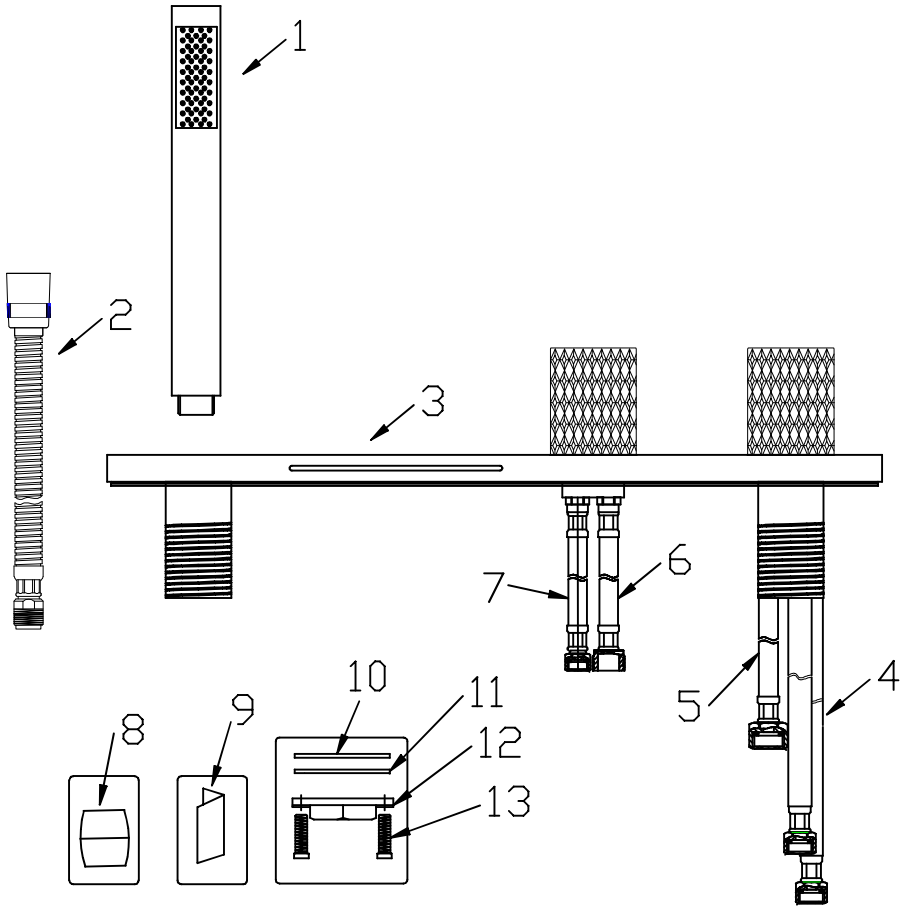
1. Refer to the «Standard Part List» when unpacking , check that all parts are present.
2. Do not disassemble the valve body.
3. Connect inlet hoses to the supply valves.
4. Make sure to flush out the supply lines to clear any possible debris before installation.
5. After installation , check all joints for possible leaks.

YOU MAY NEED:



BATH FAUCET

◆ PART LIST



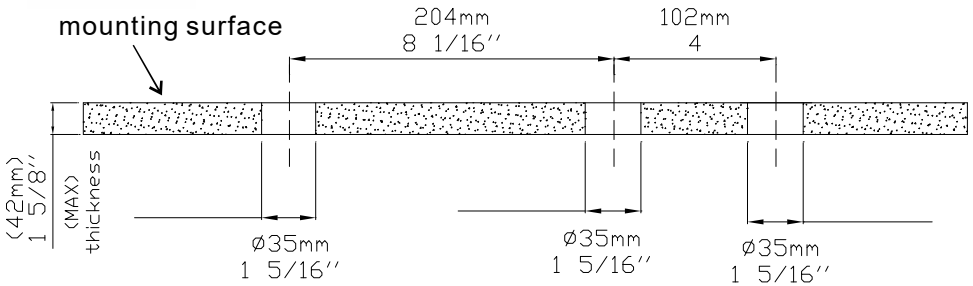
NO.	Part name	Qty	NO.	Part name	Qty	NO.	Part name	Qty
1	Hand shower	1	5	Spout supply	1	9	Manual	1
2	Hand shower hose	1	6	Spout hose	1	10	Rubber washer	2
3	Main valve body	1	7	Hand shower supply	1	11	Metal washer	2
4	Hot & Cold supply	2	8	Gravity weight	1	12	Mounting nut	2
						13	Mounting screw	4

Right of product modification such as dimension without notice is reserved.

Contact Phone Number:(951)213-4742
Service Contact:contactus24service@gmail.com

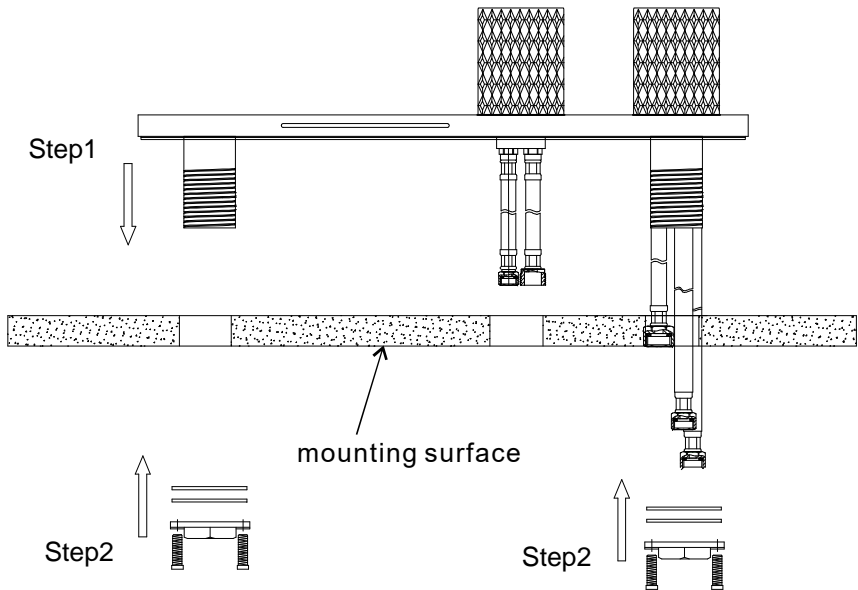
◆ HOLE SIZE OF THE MOUNTING SURFACE

Unit:mm/inch



Refer to the schematic diagram above for the hole size on the mounting surface ,

◆ MAIN BODY INSTALLATION



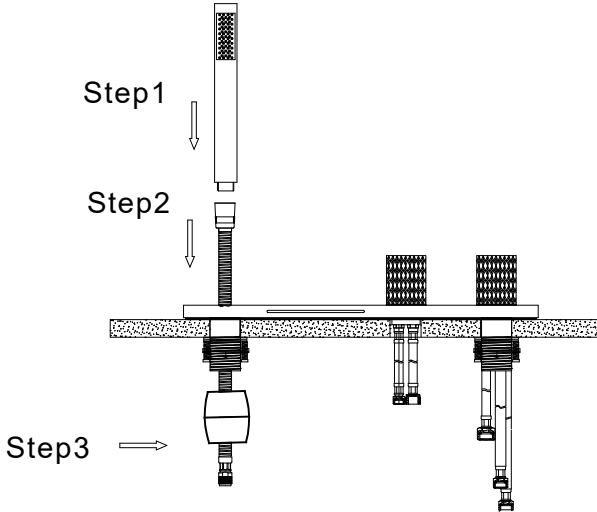
Step 1. Install the main valve body onto the mounting surface.

Step 2. Install the rubber washer, steel washer, mounting nuts, and screws. Secure screws.

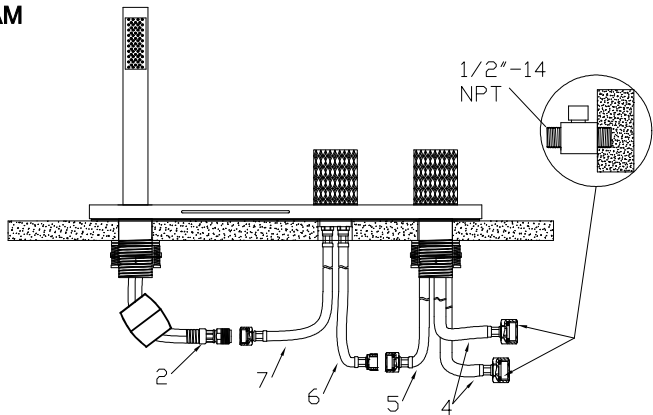
Right of product modification such as dimension without notice is reserved.

Contact Phone Number:(951)213-4742
Service Contact:contactus24service@gmail.com

◆ HAND SHOWER INSTALLATION



◆ PIPING DIAGRAM



1 : (2) CONNECTS TO (7), (6) CONNECTS TO (5), (4) CONNECTS TO THE INLET SUPPLY VALVE.
PART LIST

- (2) shower hose
- (7) M15 x1, stainless steel braided hose with female threads.
- (6) G1/2, stainless steel braided hose with male threads.
- (5) G1/2, stainless steel braided hose with female threads.
- (4) G1/2, red and blue lined stainless steel braided hose with female threads.

Care and Maintenance

Rinse faucet with clean water and wipe with soft cotton cloth.

Avoid using cleaning powders, harsh cleaning chemicals, coarse brushes, a cloth with an abrasive surface to prevent scratching and corrosion.

Do not use an acidic cleaner to clean the faucet as it may cause surface corrosion on the faucet. If the faucet comes into contact with harmful acidic substances, please rinse it with water immediately.



If a large-scale clean-up is necessary, follow these procedures:

- 1: Use clean water and a soft cloth to remove dirt on the surface.
2. Use one of the following cleaners to remove dirt on the surface: Mild liquid cleaner, colorless glass cleaner, powder cleaner which is not abrasive and can be dissolved completely and a polish liquid which is not abrasive.
- 3: After cleaning, remove the cleansing agent with clean water and wipe with soft cotton cloth.