



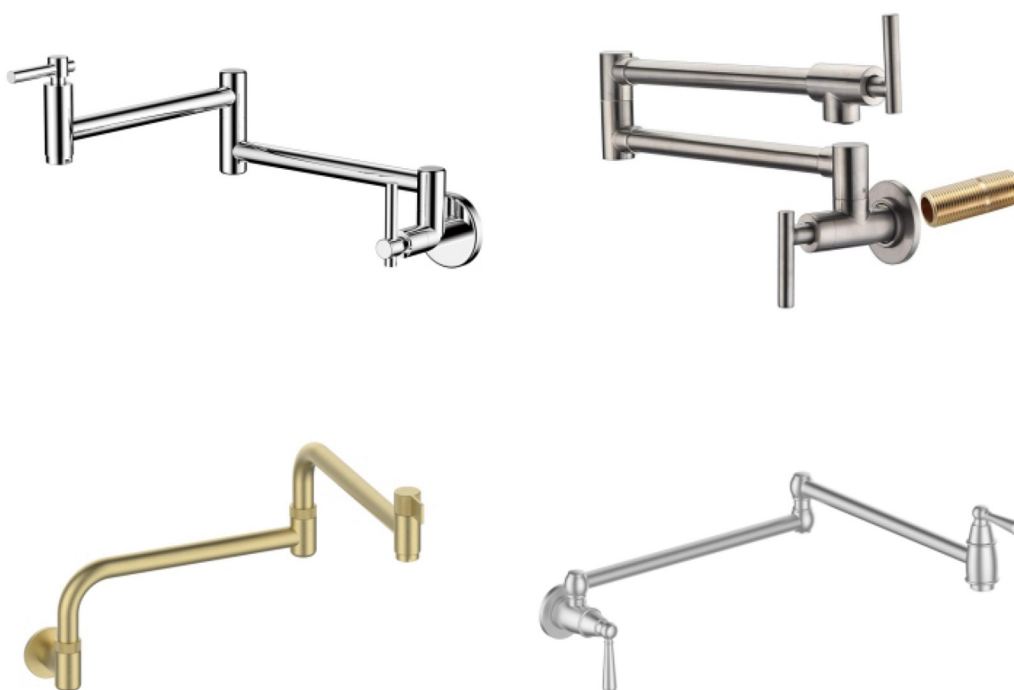
THE ANSWER TO IDEAL LIVING

PRODUCT INSTALLATION MANUAL

WHEN IT COMES TO HOME, THIS IS THE BEST ANSWER.

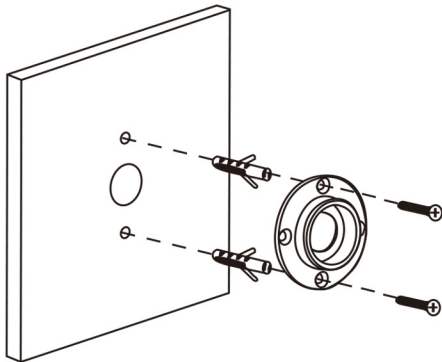
POT FILLER FAUCET

Installation Manual



MB/BN/BG/ORB/CP

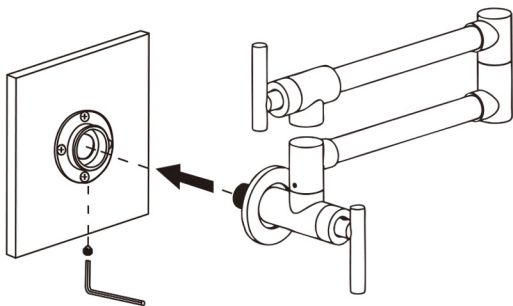
Step 1



Choose the appropriate drilling location to fix the Base on the wall with a drill and a screwdriver.

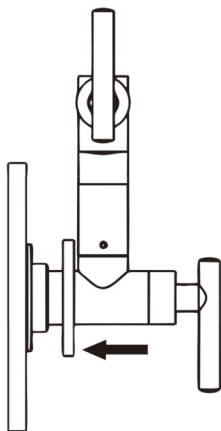
Be careful do not to destroy the pipe in the wall when drilling.

Step 2



Wrap the PTFE tape onto the adapter, screw the Tap body to the proper position, then lock the hex socket screws with a Hex key.

Step 3



Open the Tap for water flow and check if and leakage. Finally, press the decorative cover tightly to the wall.



Call us (9-8 EST): +1 888-257-3857
Email us (24/5) : service@casainc.com

Message us : +1 562-551-8092
For sales : dtc@casainc.com