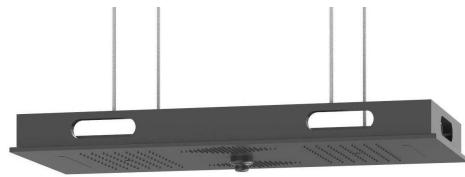


# SHOWER FAUCET

## Installation Manual



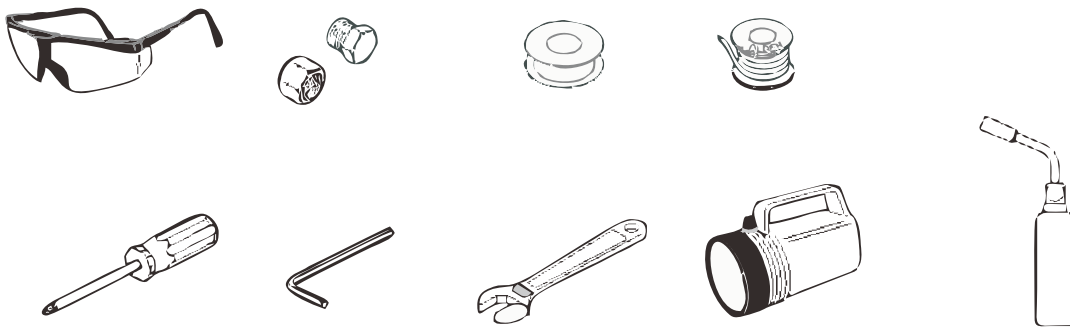
CA-A4391-BN/MB/CP/BG/MW/ORB

# LUXURY SHOWER SET

## ◆ INSTALLATION

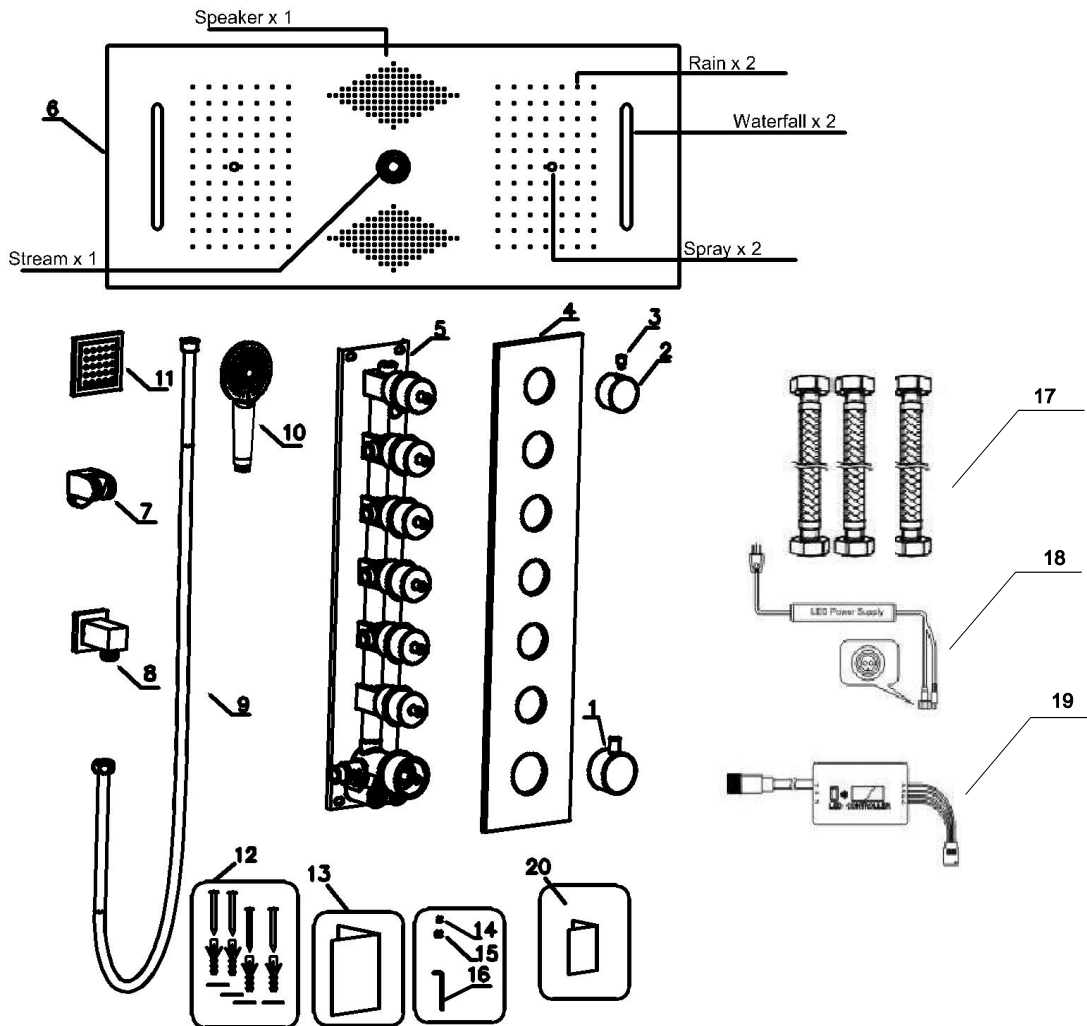
1. Refer to the «Standard Part List» when unpacking , check that all parts are present .
2. Do not disassemble the valve body.
3. Connect inlet hoses to the supply valves.
4. Make sure to flush out the supply lines to clear any possible debris before installation.
5. After installation , check all joints for possible leaks.

### YOU MAY NEED:



# LUXURY SHOWER SET

## ◆ PART LIST



NO.	Part name	Qty	NO.	Part name	Qty	NO.	Part name	Qty
1	Temperature knob	1	8	Hand shower arm	1	15	Knob screw cap	1
2	Diverter knobs	6	9	Shower hose	1	16	Allen wrench	1
3	Knob handle	6	10	Hand shower	1	17	Flexible supple line	4
4	Valve trim panel	1	11	Body jet	3	18	LED power supply	1
5	Valve body	1	12	Anchor kit	1	19	LED controller	1
6	Shower head	1	13	Manual	1	20	Body jet manual	1
7	Hand shower base	1	14	Set screw	1			

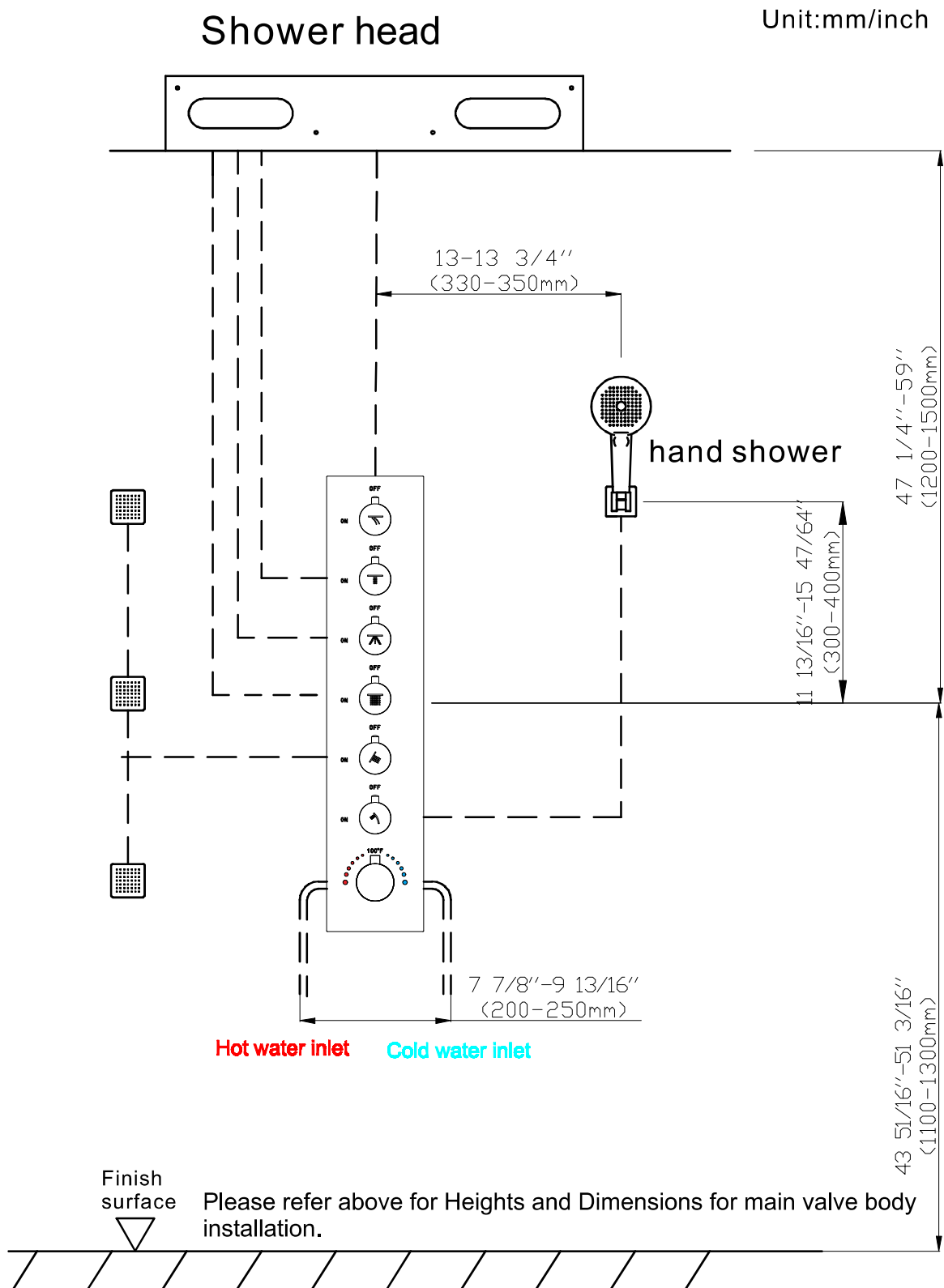
Right of product modification such as dimension without notice is reserved.

Contact Phone Number:(951)213-4742

Service Contact:contactus24service@gmail.com

# LUXURY SHOWER SET

## ◆ INSTALLATION SHOWER SET SIZE & WATER PIPE LINE REFERENCE



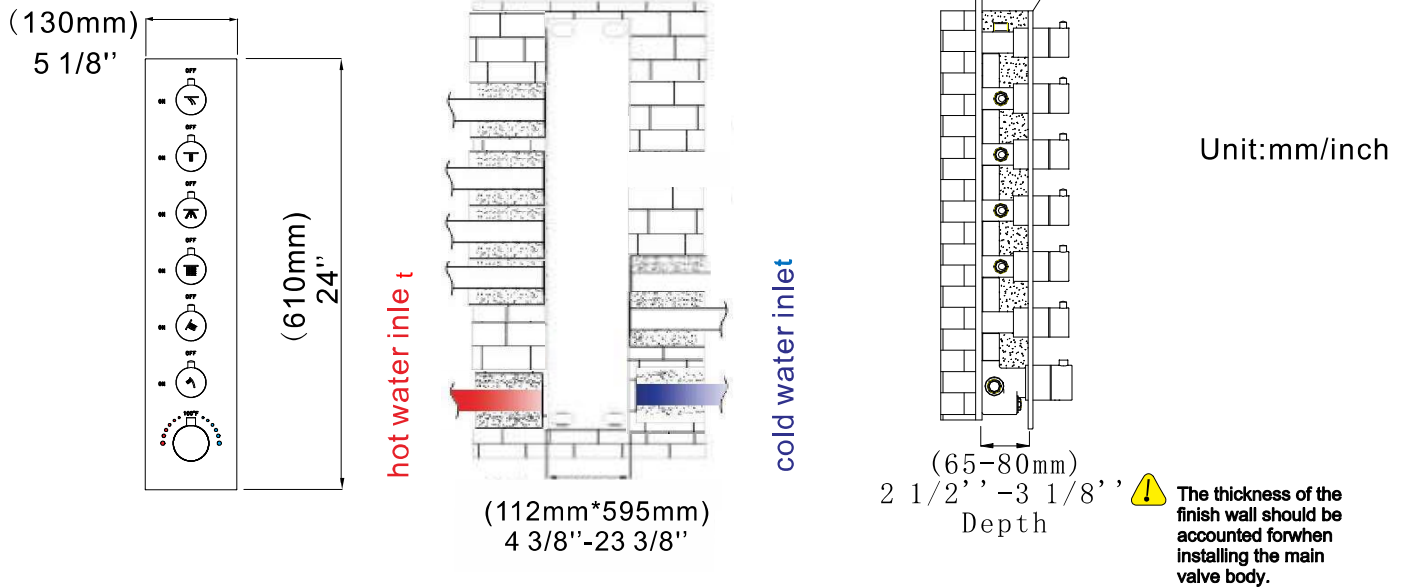
Right of product modification such as dimension without notice is reserved.

Contact Phone Number:(951)213-4742

Service Contact:contactus24service@gmail.com

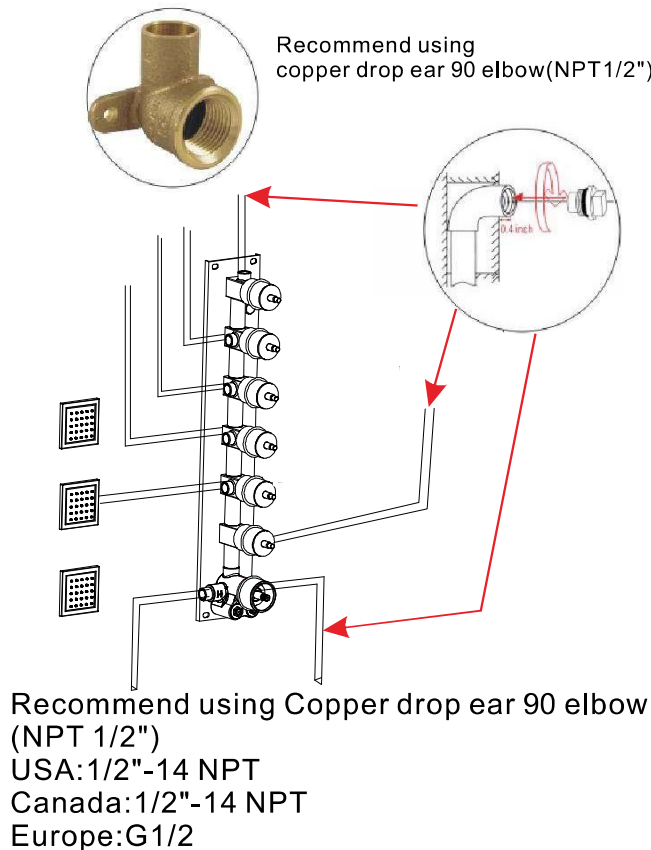
# LUXURY SHOWER SET

## ◆ INSTALLATION DEPTH OF MAIN VALVE BODY

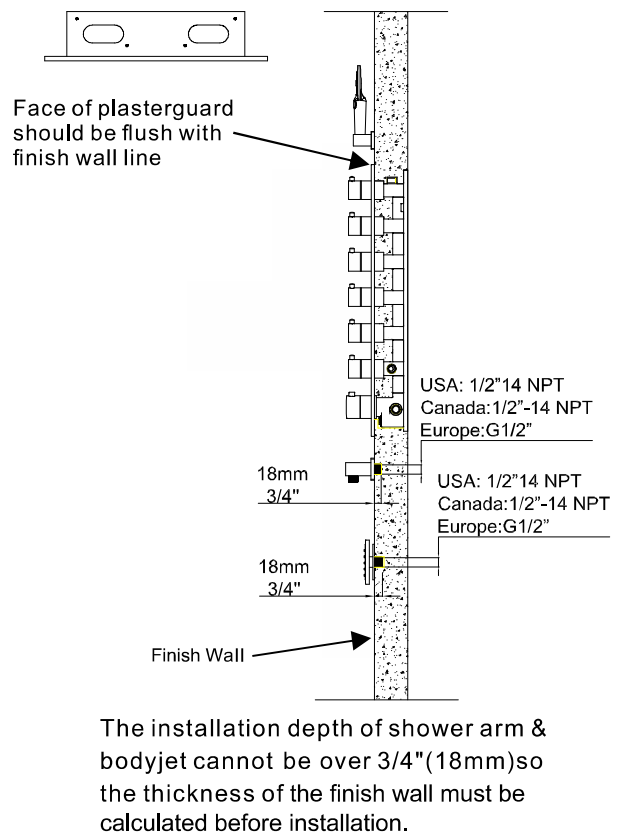


1. Including the thickness of the ceramic tile it is less than or equal to the thickness of valve 3 1/8" (80mm) so the thickness of tile must be calculated before installation.
2. Installation of the main valve body should be 2 1/2" (65mm)min and not more than 3 1/8" (80mm) Max, or the valve components will not fit properly or work correctly.
3. The hole size of the main body after tiling is smaller than the size of the panel.

## ◆ WALL MOUNTED/CEILING MOUNTED INSTALLATION



## ◆ INSTALLATION DEPTH OF SHOWER ARM & BODY JET



Right of product modification such as dimension without notice is reserved.

Contact Phone Number:(951)213-4742  
Service Contact:contactus24service@gmail.com

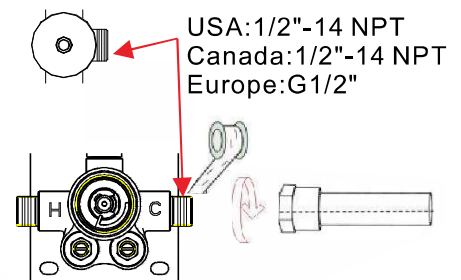
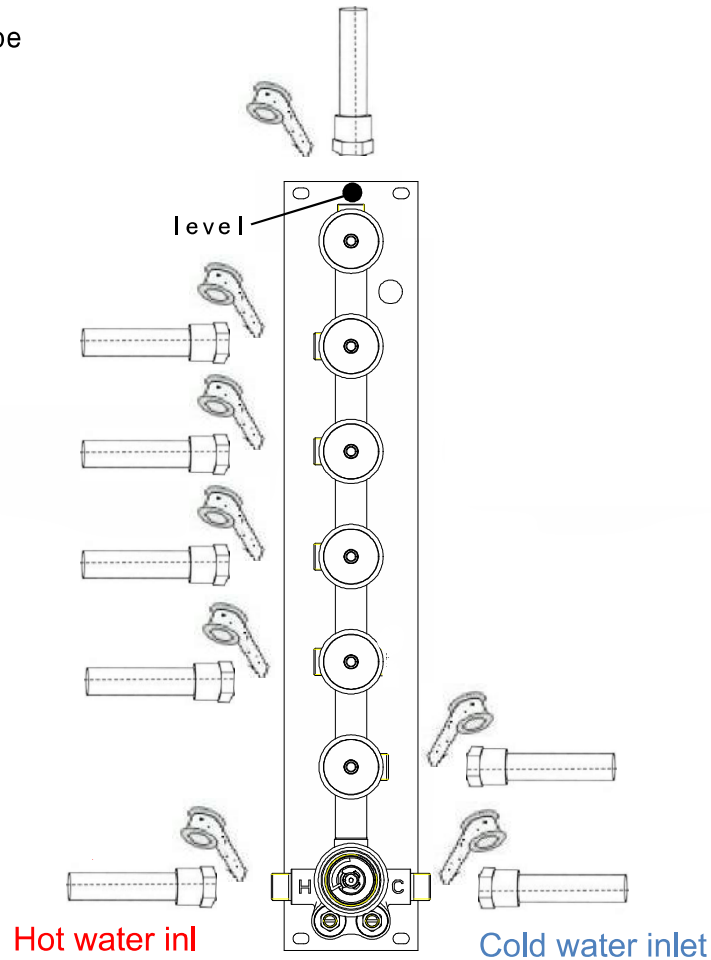
# LUXURY SHOWER SET

## ◆ MAIN BODY PIPING DIAGRAM



Warning: pipe all water inlets and outlets as shown.

Wrap enough teflon tape



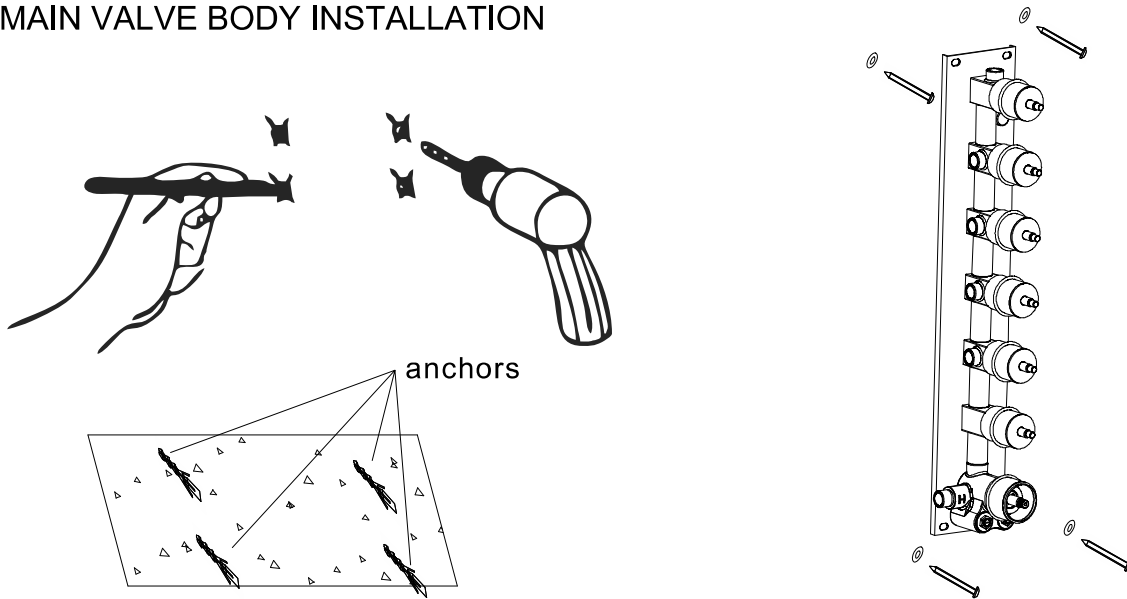
1. As shown in the image, pay attention to the correct direction when installing the main body, and make sure that the mark level on the top of the installation box is facing upward.
2. Install the hot and cold water inlet pipes, shower head and hand shower outlet pipes.
3. Turn on the water to test whether the left and right inlet pipes are tightly connected without leakage. After the test, adjust the flow switch to be on to test whether the mixed outlet pipe connection is tight and there is no leakage.

Right of product modification such as dimension without notice is reserved.

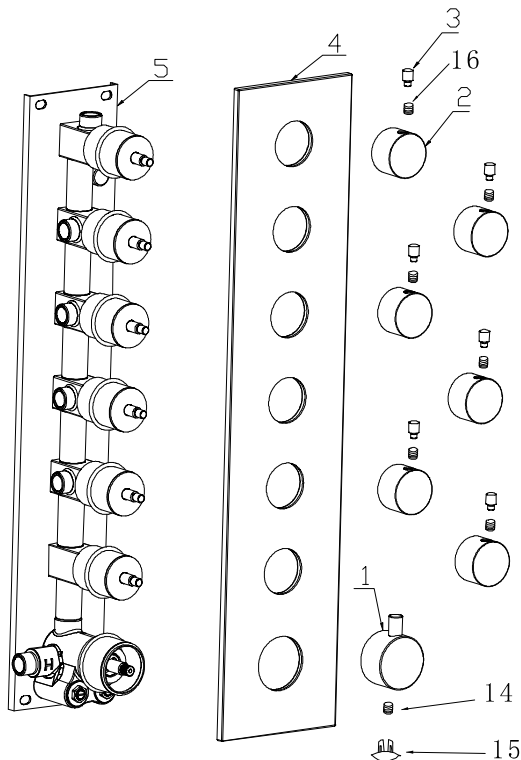
Contact Phone Number: (951) 213-4742  
Service Contact: [contactus24service@gmail.com](mailto:contactus24service@gmail.com)

# LUXURY SHOWER SET

## ◆ MAIN VALVE BODY INSTALLATION

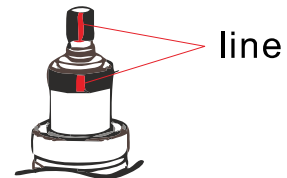


1. Make marks according to the size of the main body valve, and then drill anchors into the wall (concrete wall).
2. Lock the main body to wood directly with screws (wood wall).
3. When installing the main body, please install the UP side up and do not install it upside down.

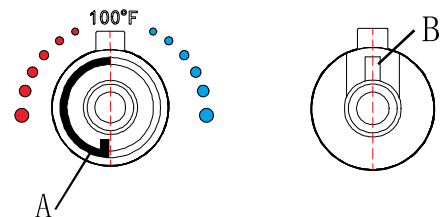


### Precautions for the knob Installation

1. The line can't be uneven; it should be kept in line. Otherwise, the water temperature of 100°F will not be correct.



2. Please ensure that the plastic locating ring (A) and knob locating pin (B) are kept in the same line with 100°F. Otherwise, the water temperature will be incorrect.



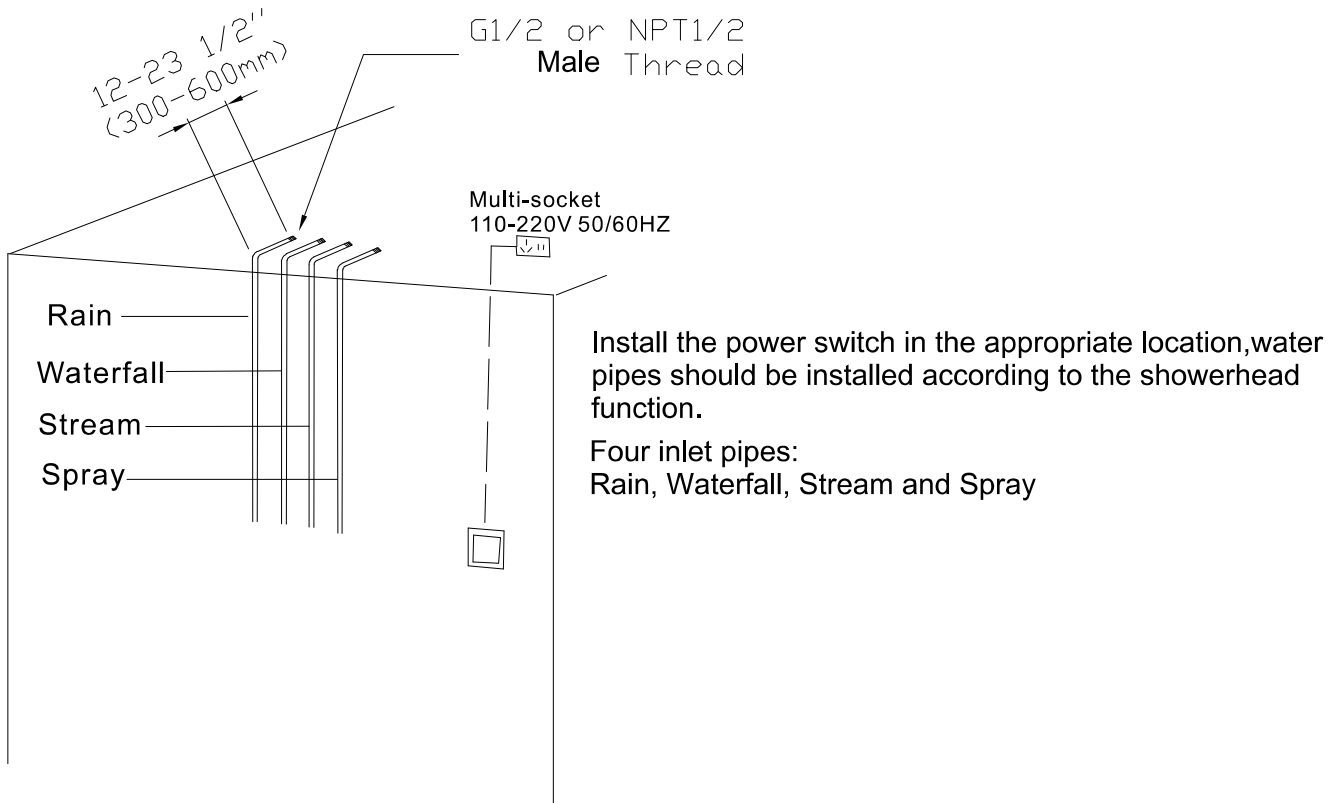
Install (4) Panel (1) Temperature knob (15) knob screw cap (14) set screw (2) diverter knob (3) diverter handle in the correct order.

Right of product modification such as dimension without notice is reserved.

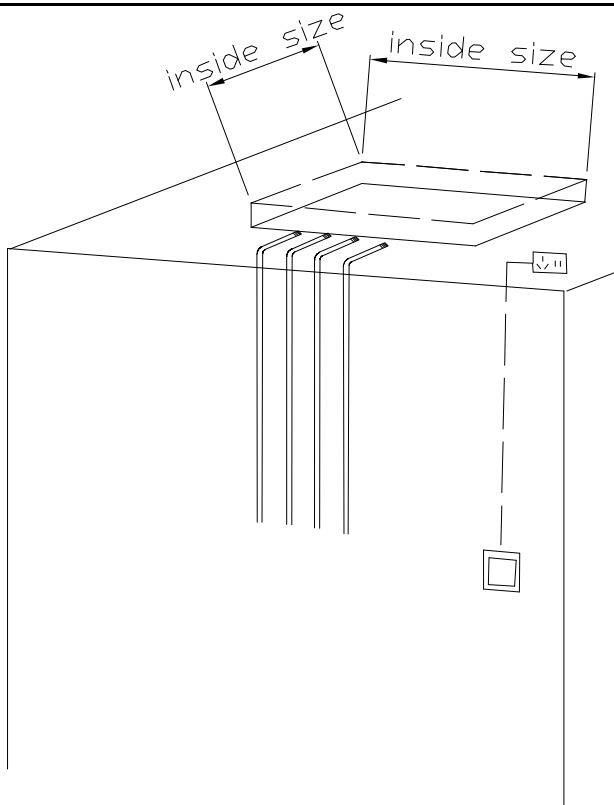
Contact Phone Number: (951) 213-4742  
Service Contact: contactus24service@gmail.com

# LUXURY SHOWER SET

## ◆ Shower head power/water pipe-layout



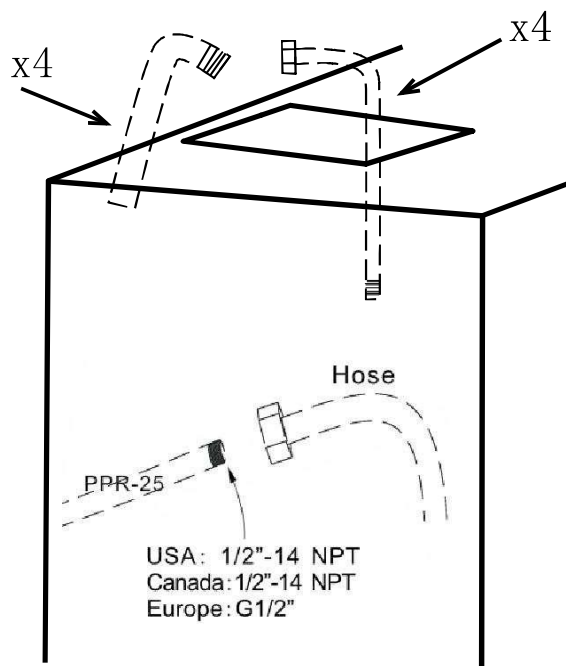
## ◆ Shower head hole dimensions



Shower head hole measurement:  
(35 5/8" - 12" )

# LUXURY SHOWER SET

## ◆ Layout for water pipe

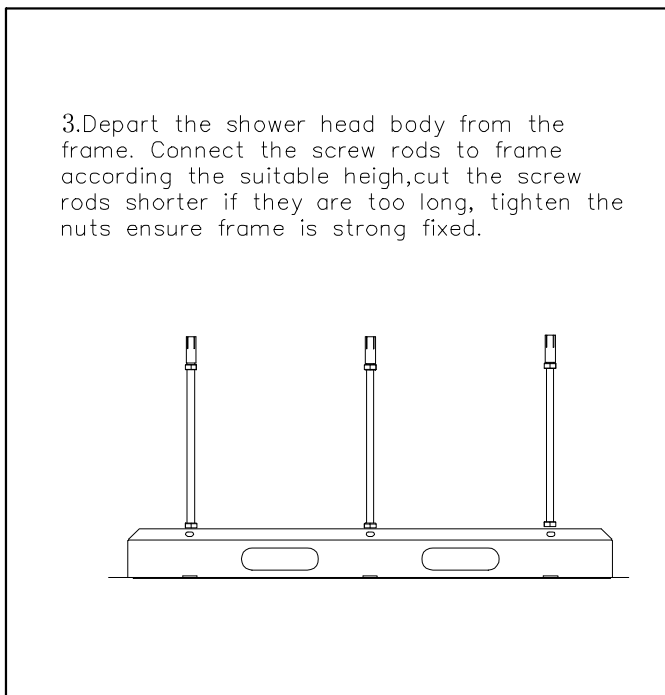
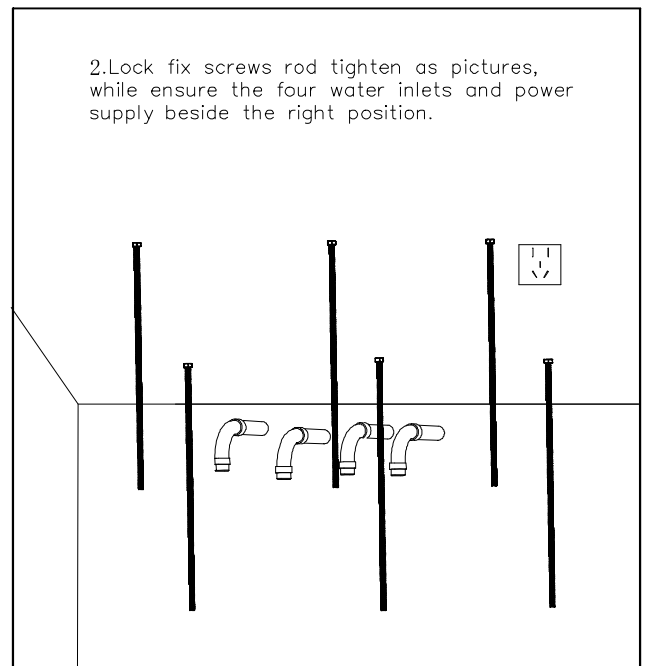
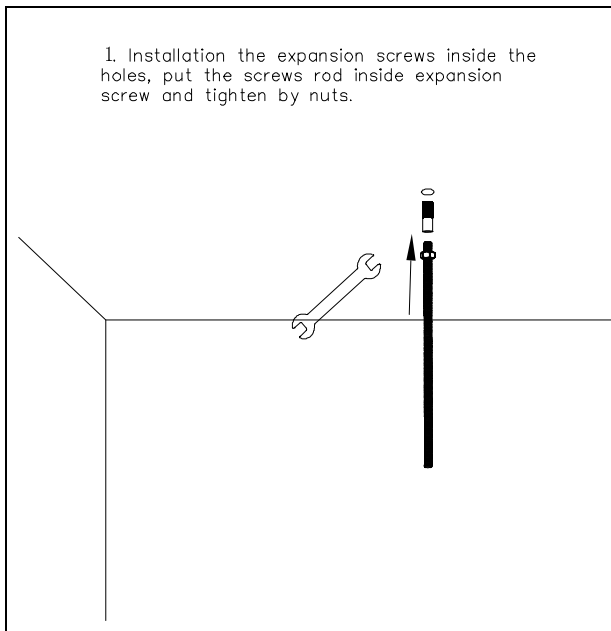


Connect one end of the flexible supply line with the embedded water line and the other end connect with the Tee fitting.

Right of product modification such as dimension without notice is reserved.

Contact Phone Number:(951)213-4742  
Service Contact:contactus24service@gmail.com

## ◆ INSTALLATION SHOWER HEAD

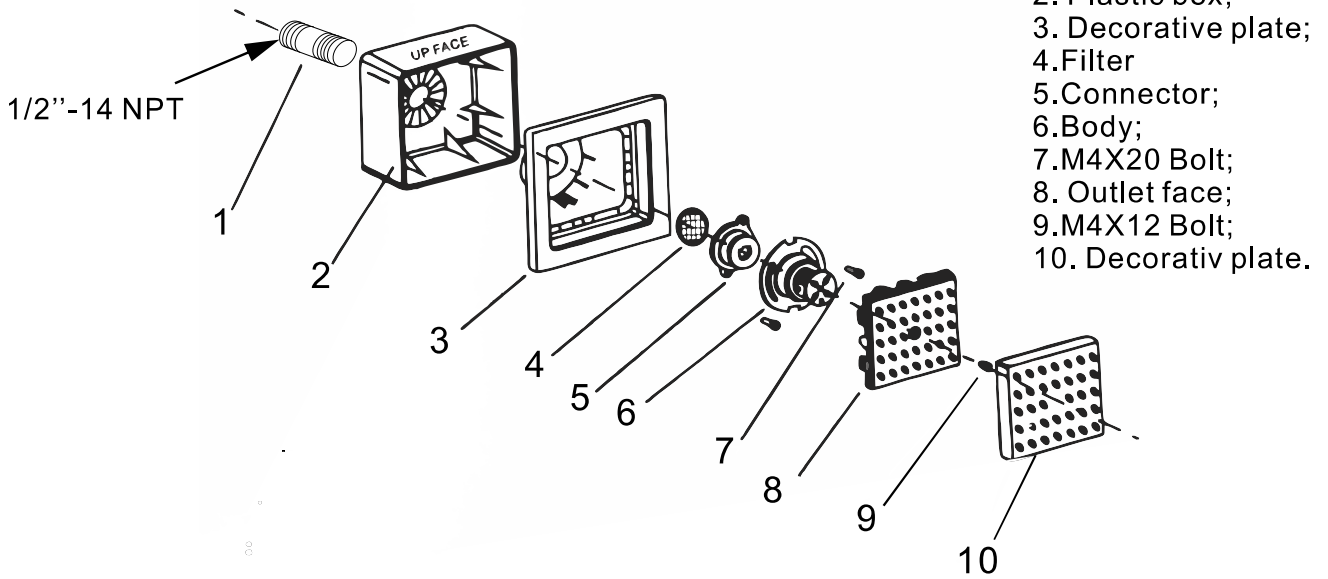


Right of product modification such as dimension without notice is reserved.

Contact Phone Number:(951)213-4742  
Service Contact:contactus24service@gmail.com

# LUXURY SHOWER SET

## ◆ Body jet installation

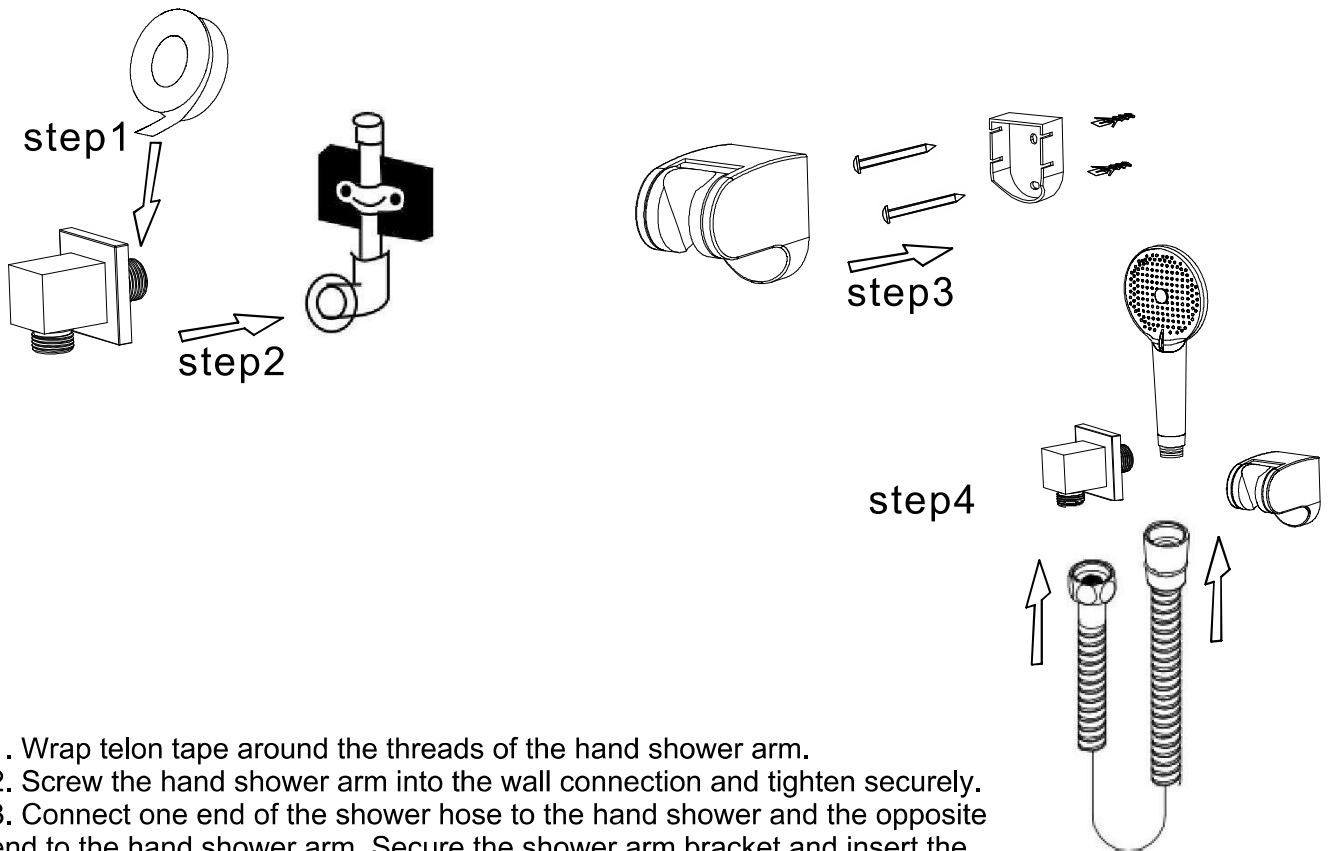


1. 1/2" Nipple
2. Plastic box;
3. Decorative plate;
4. Filter
5. Connector;
6. Body;
7. M4X20 Bolt;
8. Outlet face;
9. M4X12 Bolt;
10. Decorativ plate.



Please refer to the attached separate body jet installation manual for detailed installation methods.

## ◆ Install the hand shower



1. Wrap telon tape around the threads of the hand shower arm.
2. Screw the hand shower arm into the wall connection and tighten securely.
3. Connect one end of the shower hose to the hand shower and the opposite end to the hand shower arm. Secure the shower arm bracket and insert the hand shower into the hand shower arm bracket.

Right of product modification such as dimension without notice is reserved.

Contact Phone Number:(951)213-4742  
Service Contact:contactus24service@gmail.com

## Care and Maintenance

---

Rinse faucet with clean water and wipe with soft cotton cloth

Avoid using cleaning powders, harsh cleaning chemicals, coarse brushes, a cloth with an abrasive surface to prevent scratching and corrosion

Do not use an acidic cleaner to clean the faucet as it may cause surface corrosion on the faucet.  
If the faucet comes into contact with harmful acidic substances, please rinse it with water immediately.



### **If a large-scale clean-up is necessary, follow these procedures:**

- 1: Use clean water and a soft cloth to remove dirt on the surface.
2. Use one of the following cleaners to remove dirt on the surface: Mild liquid cleaner, colorless glass cleaner, powder cleaner which is not abrasive and can be dissolved completely and a polish liquid which is not abrasive.
- 3: After cleaning, remove the cleansing agent with clean water and wipe with soft cotton cloth.