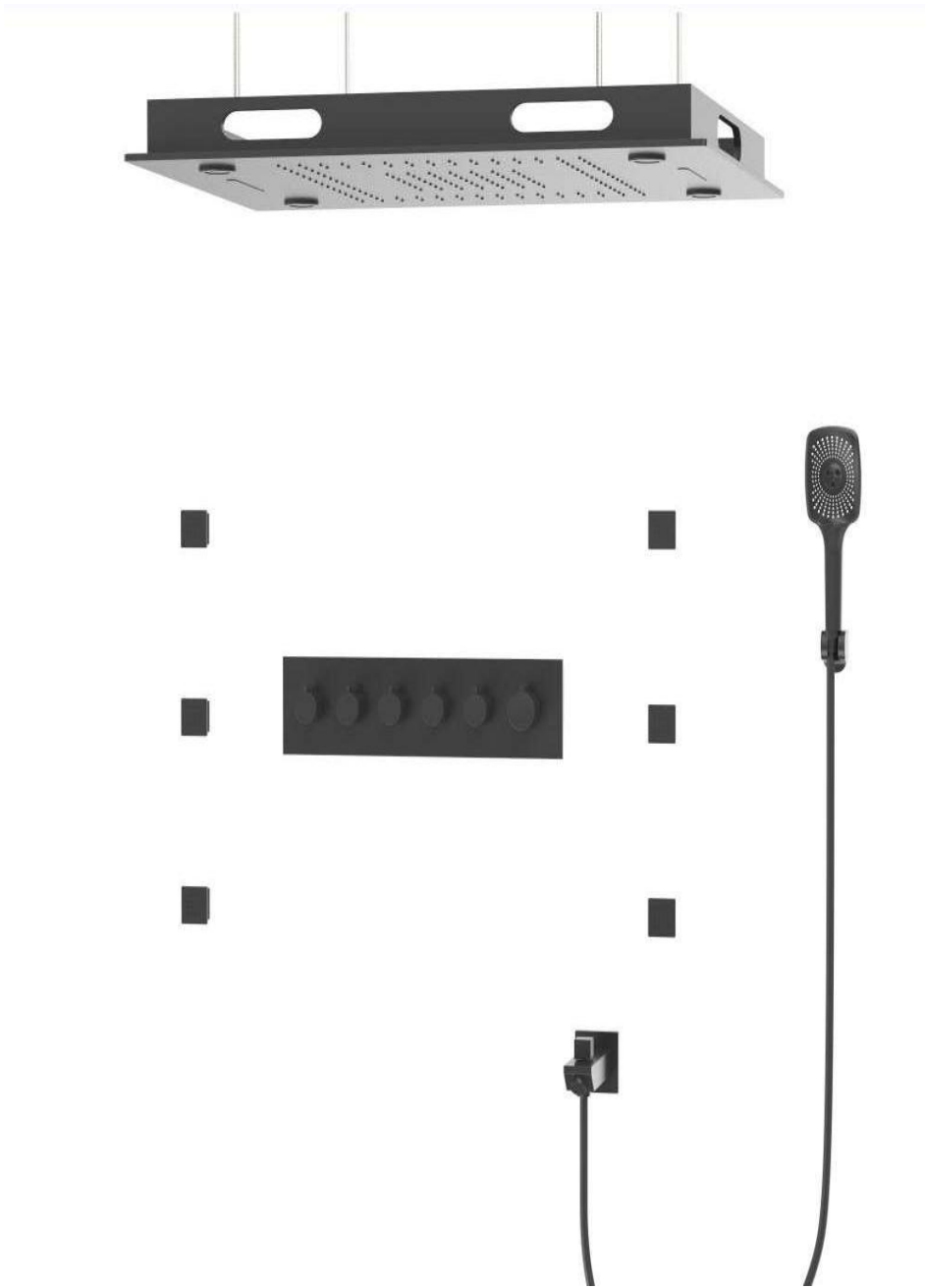


# SHOWER FAUCET

## Installation Manual



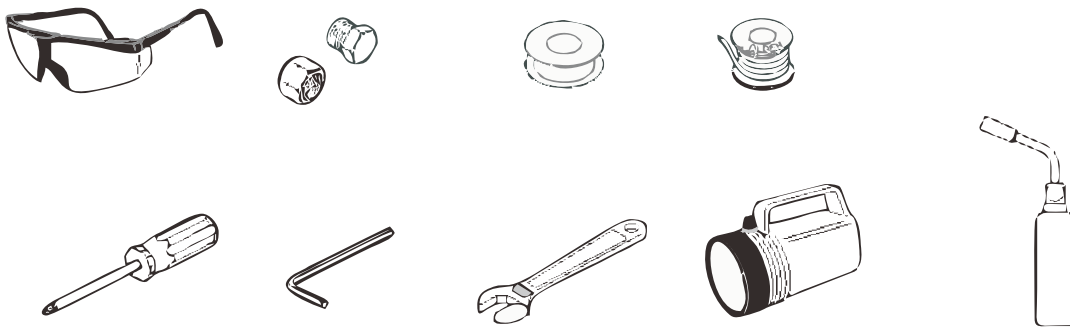
**CA-A4385-BN/MB/CP/BG/MW/ORB**

# LUXURY SHOWER SET

## ◆ INSTALLATION

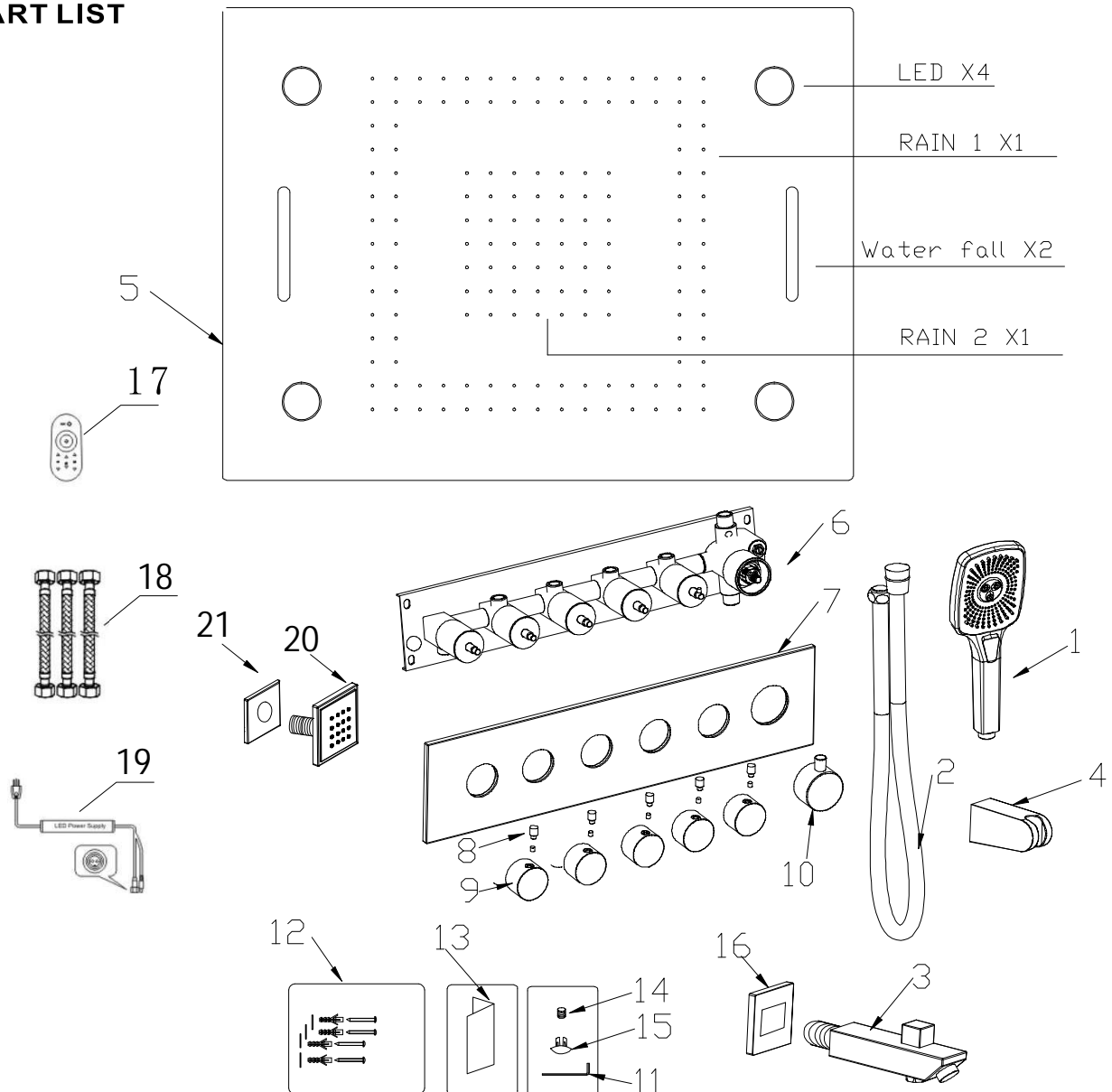
1. Refer to the «Standard Part List» when unpacking , check that all parts are present.
2. Do not disassemble the valve body.
3. Connect inlet hoses to the supply valves.
4. Make sure to flush out the supply lines to clear any possible debris before installation.
5. After installation , check all joints for possible leaks.

### YOU MAY NEED:



# LUXURY SHOWER SET

## ◆ PART LIST



NO.	Part name	Qty	NO.	Part name	Qty	NO.	Part name	Qty	NO.	Part name	Qty
1	Hand shower	1	7	Trim panel	1	13	Manual	1	19	Power supply	1
2	Shower hose	1	8	Knob handles	5	14	Set screw	6	20	Body jet	6
3	Hand shower arm	1	9	Diverter knobs	5	15	Cap	1	21	Body jet escutcheon	1
4	Mounting bracket	1	10	Temperature knob	1	16	Hand shower arm escutcheon	1			
5	Shower head	1	11	Allen wrench	1	17	Remote holder	1			
6	Valve body	1	12	Anchor kit	1	18	Flexible supply line	3			

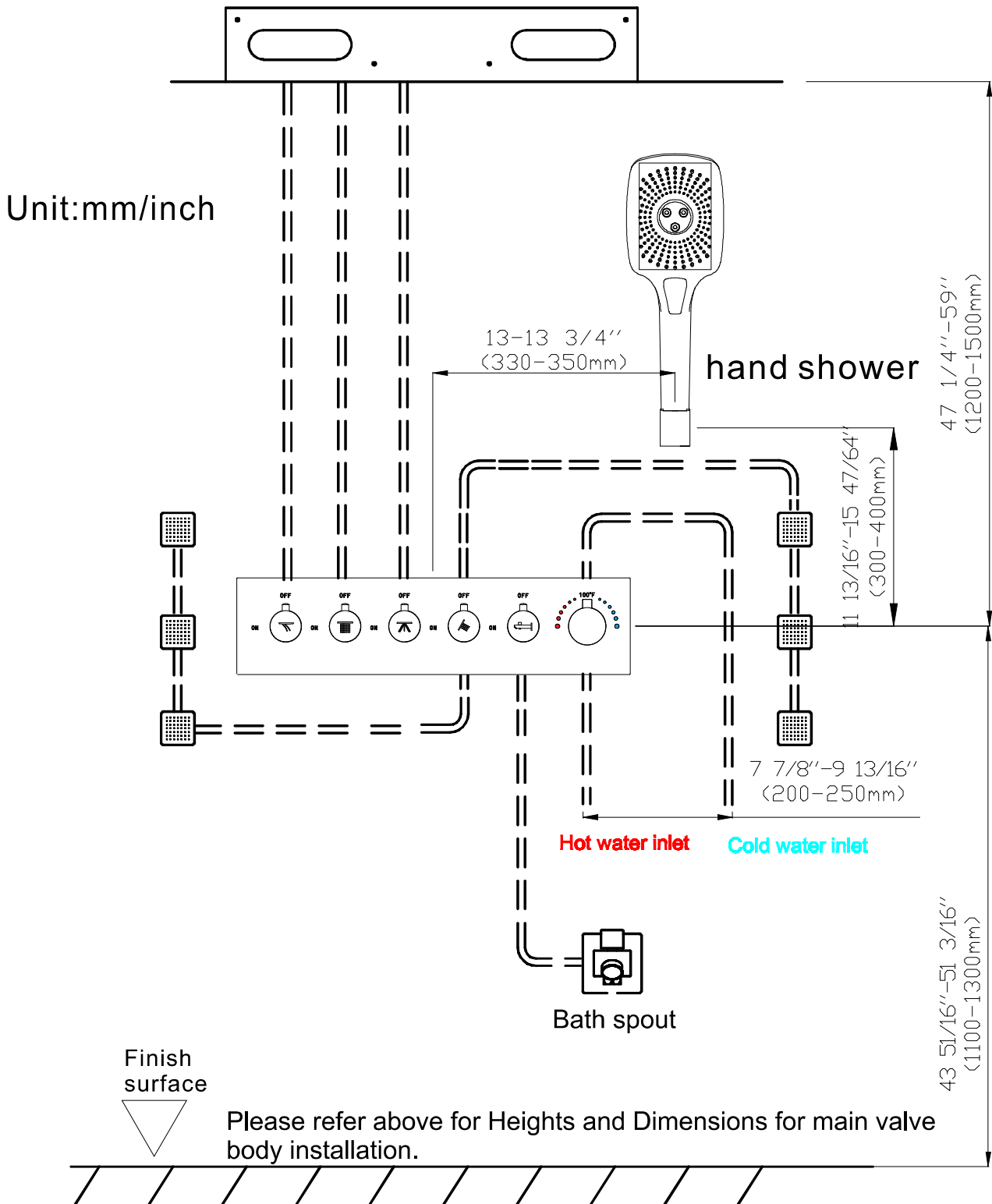
Right of product modification such as dimension without notice is reserved.

Contact Phone Number:(951)213-4742  
Service Contact:contactus24service@gmail.com

# LUXURY SHOWER SET

## ◆ INSTALLATION HEIGHTS AND DIMENSIONS

### Shower head



Right of product modification such as dimension without notice is reserved.

Contact Phone Number:(951)213-4742

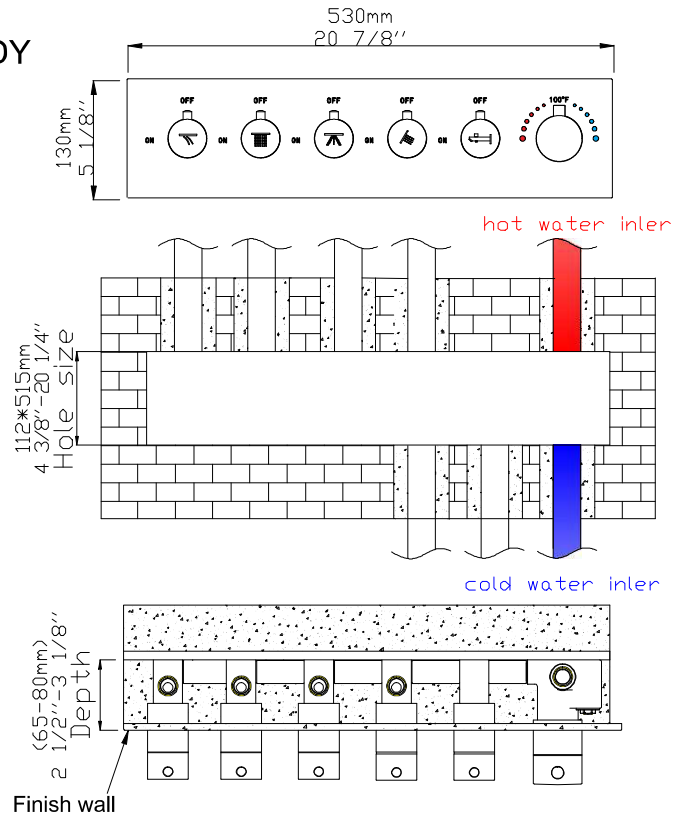
Service Contact:contactus24service@gmail.com


# LUXURY SHOWER SET

## ◆ INSTALLATION DEPTH OF MAIN VALVE BODY

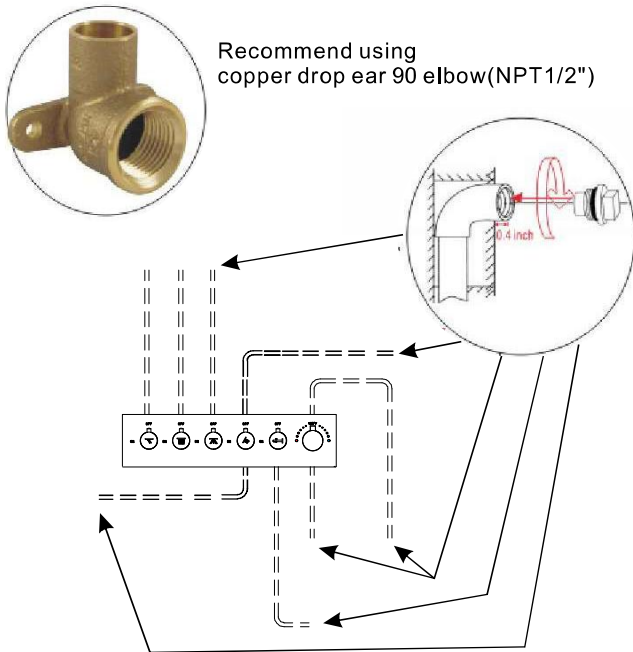
Unit:mm/inch

1. Including the thickness of the ceramic tile it is less than or equal to the thickness of valve 3 1/8" (80mm) so the thickness of tile must be calculated before installation.
2. Installation of the main valve body should be 2 1/2" (65mm)min and not more than 3 1/8" (80mm)Max, or the valve components will not fit properly or work correctly.
3. The hole size of the main body after tilling is smaller than the size of the panel.



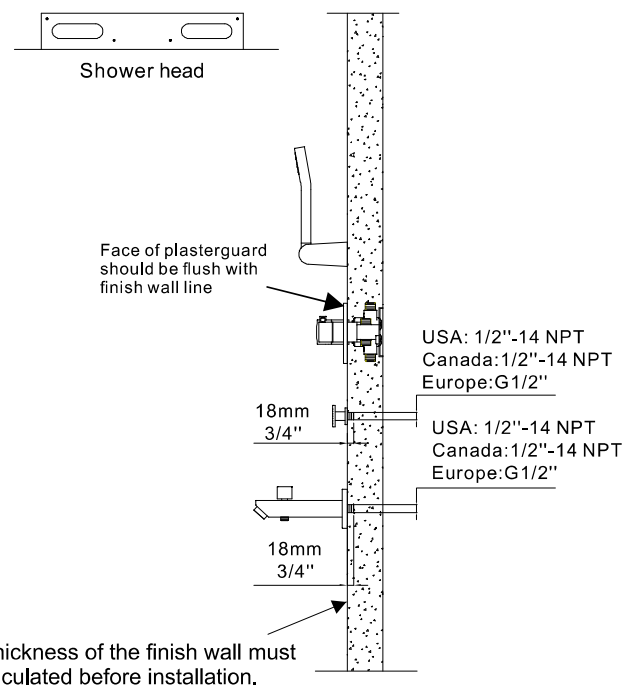
 The thickness of the finish wall should be accounted for when installing the main valve body.

## ◆ WALL MOUNTED/CEILING MOUNTED INSTALLATION



Recommend using Copper drop ear 90 elbow (NPT 1/2")  
 USA: 1/2"-14 NPT  
 Canada: 1/2"-14 NPT  
 Europe: G1/2

## ◆ INSTALLATION DEPTH OF SHOWER HEAD, SHOWER ARM & BATH SPOUT



The thickness of the finish wall must be calculated before installation.

Right of product modification such as dimension without notice is reserved.

Contact Phone Number: (951)213-4742  
 Service Contact: [contactus24service@gmail.com](mailto:contactus24service@gmail.com)

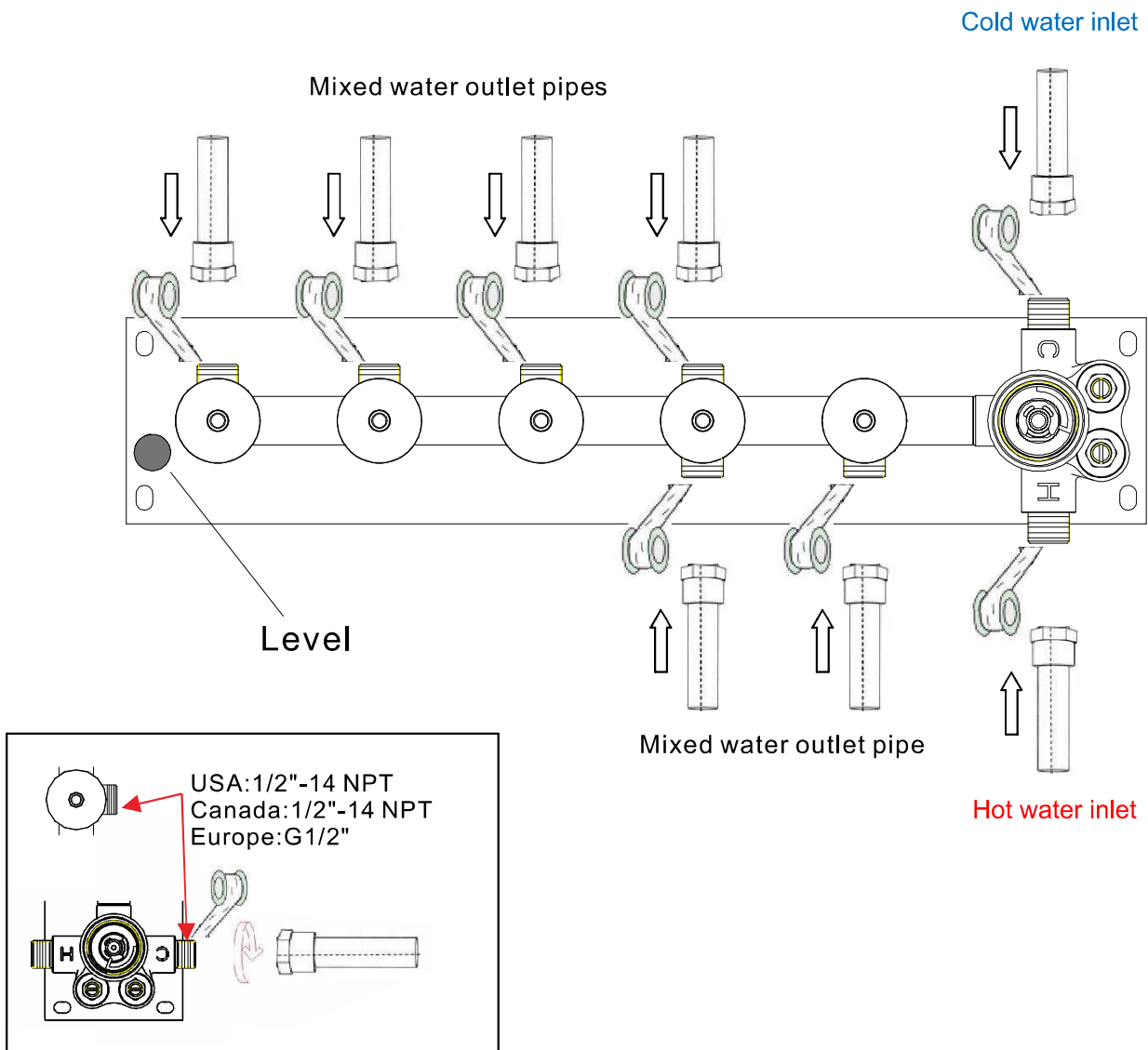
# LUXURY SHOWER SET

## ◆ MAIN BODY PIPING DIAGRAM



Warning: pipe all water inlets and outlets as shown.

Wrap enough teflon tape



1. As shown in the image, pay attention to the correct direction when installing the main body, and make sure that the mark level on the top of the installation box is facing upward.
2. Install the hot and cold water inlet pipes, shower head and hand shower outlet pipes.
3. Turn on the water to test whether the left and right inlet pipes are tightly connected without leakage. After the test, adjust the flow switch to be on to test whether the mixed outlet pipe connection is tight and there is no leakage.

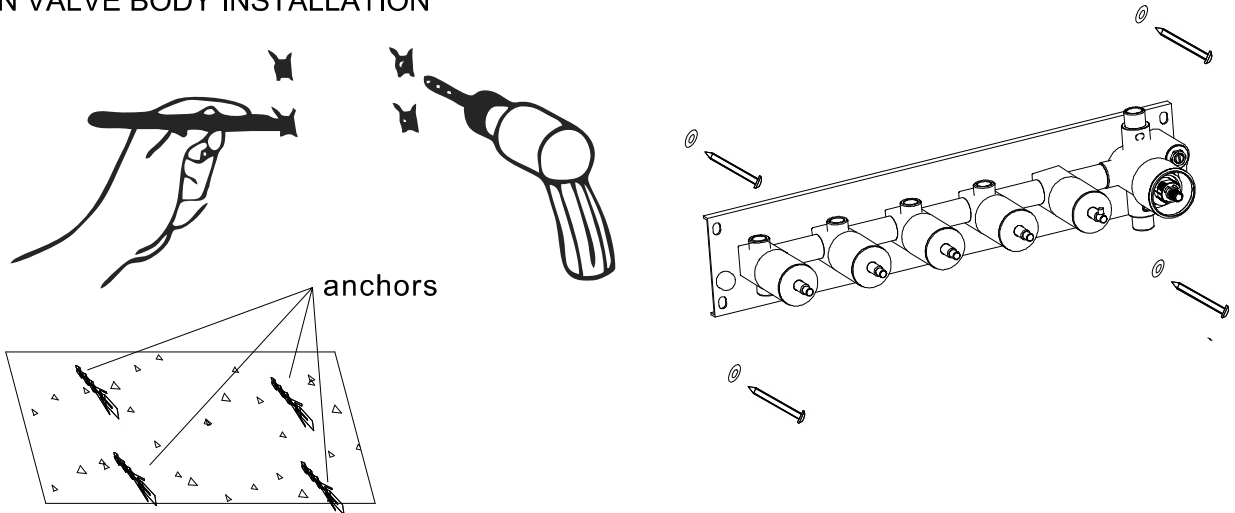
Right of product modification such as dimension without notice is reserved.

Contact Phone Number: (951)213-4742

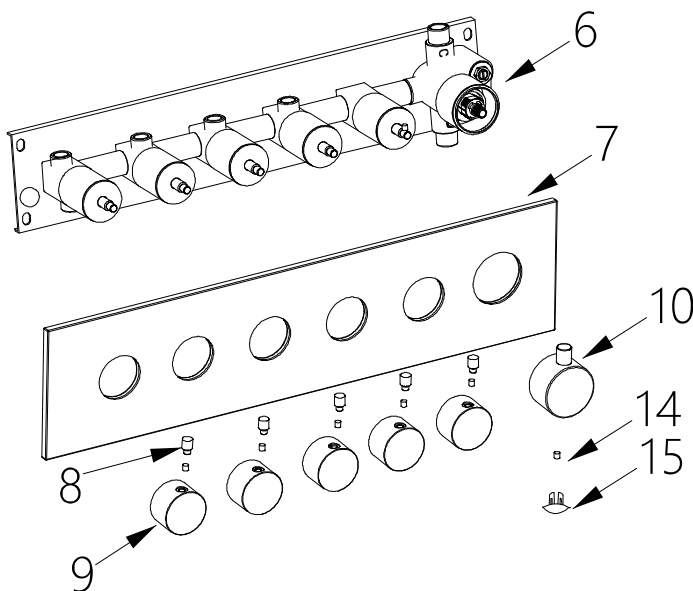
Service Contact: [contactus24service@gmail.com](mailto:contactus24service@gmail.com)

# LUXURY SHOWER SET

## ◆ MAIN VALVE BODY INSTALLATION

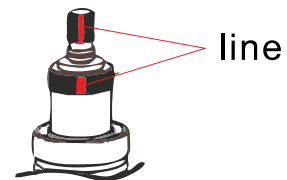


1. Make marks according to the size of the main body valve, and then drill anchors into the wall (concrete wall).
2. Lock the main body to wood directly with screws (wood wall).
3. When installing the main body, please install the UP side up and do not install it upside down.

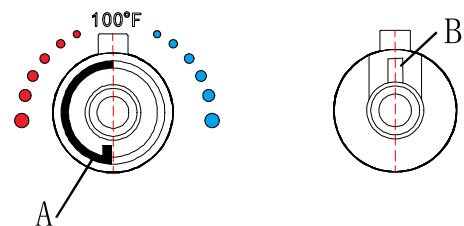


### Precautions for the knob Installation

1. The line can't be uneven; it should be kept in line. Otherwise, the water temperature of 100°F will not be correct.



2. Please ensure that the plastic locating ring (A) and knob locating pin (B) are kept in the same line with 100°F. Otherwise, the water temperature will be incorrect.



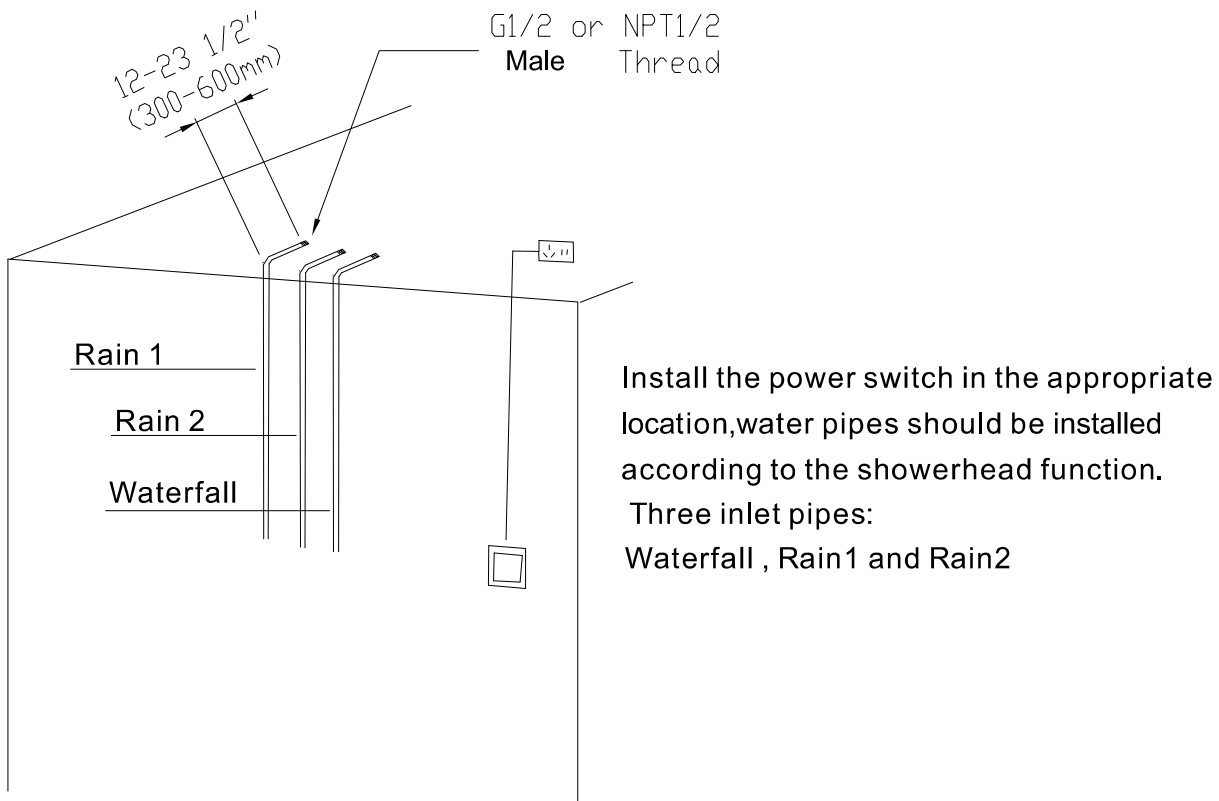
Install (7) Panel (10) Handle (15) cap (14) screw (9) diverter knob (8) diverter knob handle in the correct order.

Right of product modification such as dimension without notice is reserved.

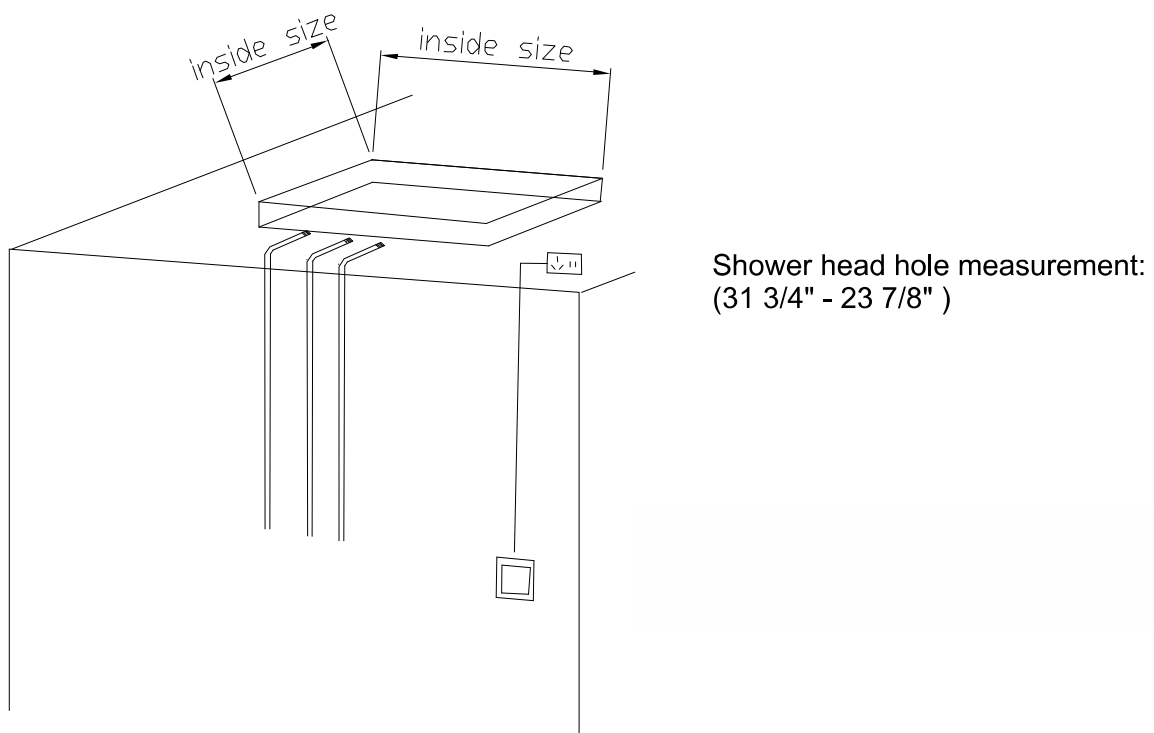
Contact Phone Number: (951) 213-4742

Service Contact: contactus24service@gmail.com

## ◆ Shower head power/water pipe-layout



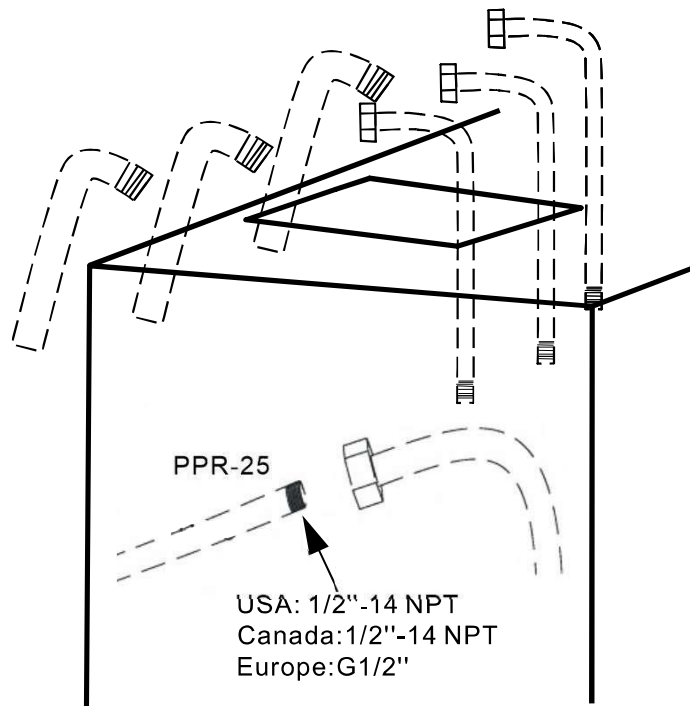
## ◆ Shower head hole dimensions



Right of product modification such as dimension without notice is reserved.

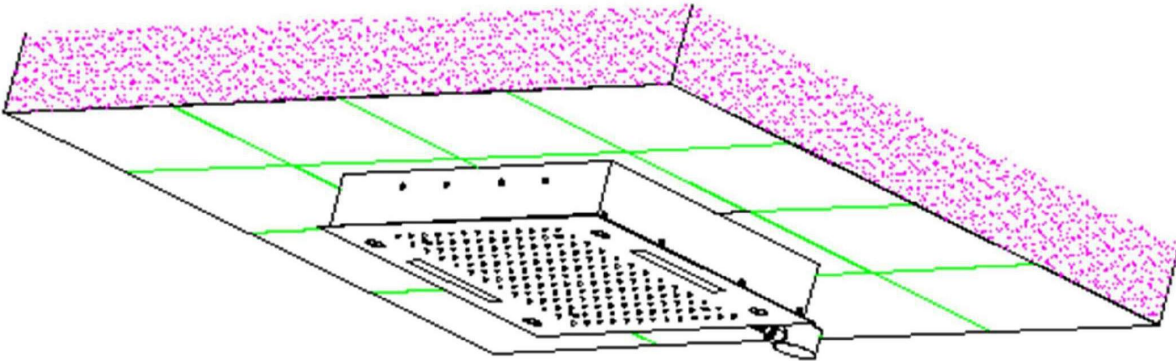
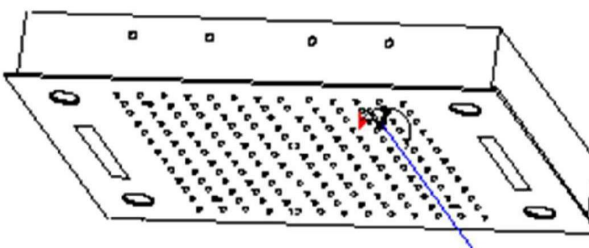
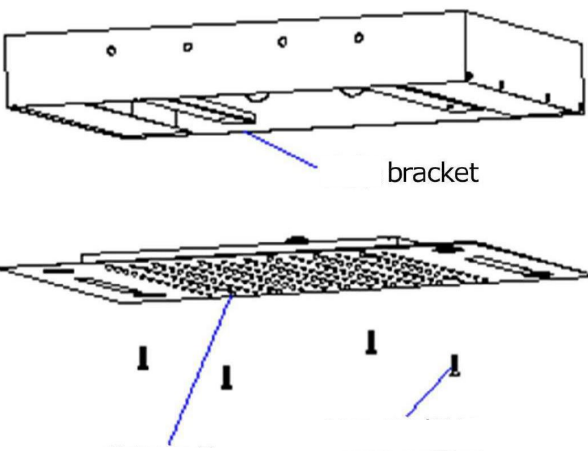
Contact Phone Number:(951)213-4742  
Service Contact:contactus24service@gmail.com

## ◆ Layout for water pipe



Connect one end of the corrugated pipes with the embedded PPR water pipe respectively, the other end connect with the Tee joint

## ◆ Install Shower

Assemble schematic	
	
 <p>hexagon wrench</p>	 <p>bracket</p> <p>components</p> <p>screw</p>
<p>1. After receiving the product, the customer will release the screw with the hexagon wrench in the above direction.</p>	<p>2. Separate the components from bracket.</p>

# LUXURY SHOWER SET

## ◆ Install Shower

Parts list

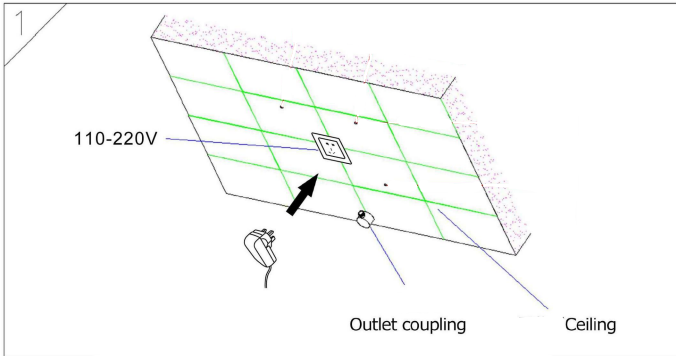
NO.	NAME	QUANTITY	NO.	NAME	QUANTITY
1	Expansion screw	4	5	Locknut	4
2	Bracket	1	6	Components	1
3	Gasket	4	7	Screw	4
4	Spring washer	4	8	Connecting pipe	1

Right of product modification such as dimension without notice is reserved.

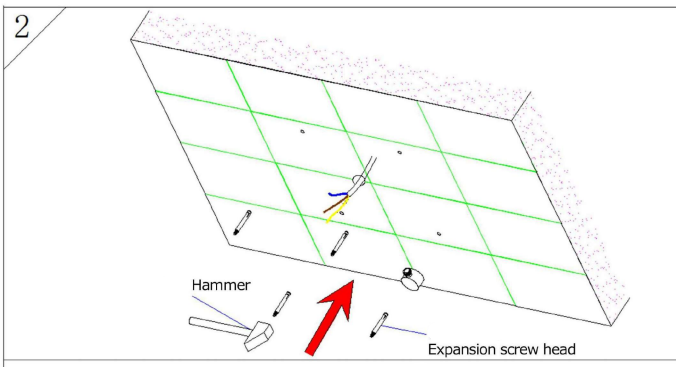
Contact Phone Number:(951)213-4742  
Service Contact:contactus24service@gmail.com

# LUXURY SHOWER SET

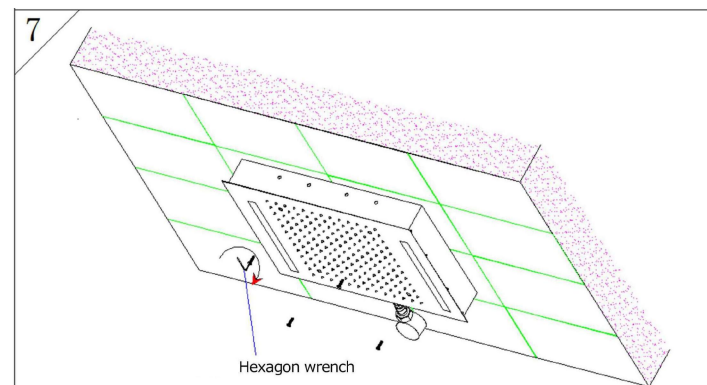
## ◆ Install Shower



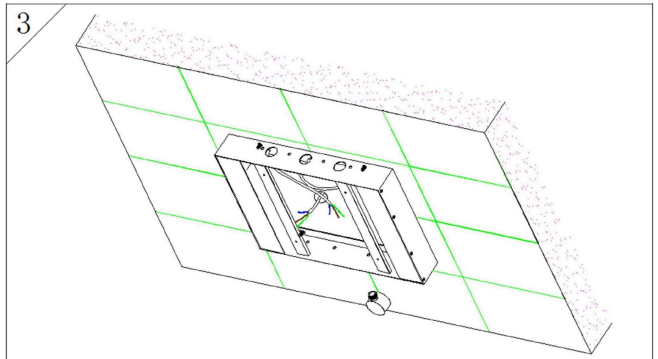
1. Refer to the basic dimension, drill 4 holes of 10mm in diameter at the right place under ceiling.



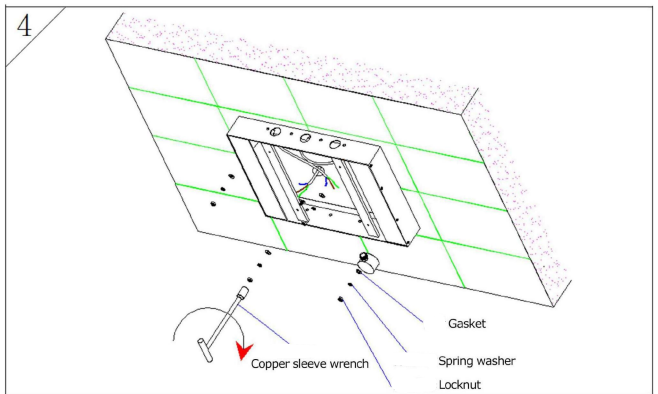
2. Use a hammer to break four explosive screws into the drilled hole.



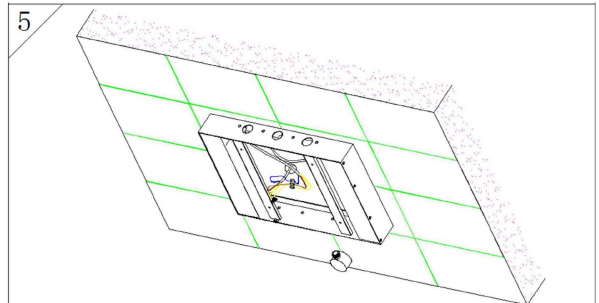
7. Use your hand to support the components on the bracket, then use the hexagon wrench to tighten the screw.



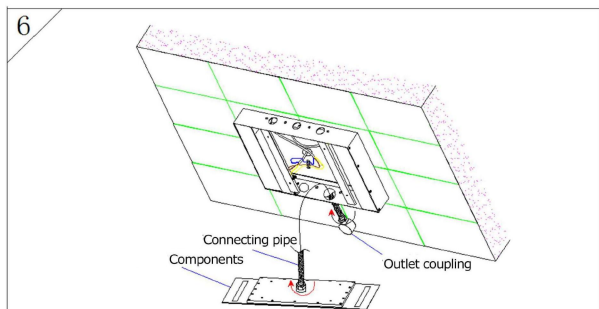
3. Hold the bracket with your hand and fix it on the 4 explosion screws.



4. The gasket and spring washer are fitted with explosive screws, then use the copper sleeve wrench to lock the bracket with nuts.



5. Pick up the wires correspondingly.



6. Use the 60cm connecting pipe to connect the water inlet connector and the outlet joint.

Right of product modification such as dimension without notice is reserved.

Contact Phone Number: (951) 213-4742  
Service Contact: contactus24service@gmail.com

# LUXURY SHOWER SET

## ◆ Remote instruction:

Main parameter:

Panel controller:

Working Temp.: -20~60

Supply Voltage: DC12-24V

Size: L50\*W35\*H23mm

115/16"\*16/16"\*14/16"

Output: 3Channel

Output Current: <2A(each channel)

Connection mode: common anode

Touch Remote:

Working voltage: 1.5V\*3V

Emission current: 10mA

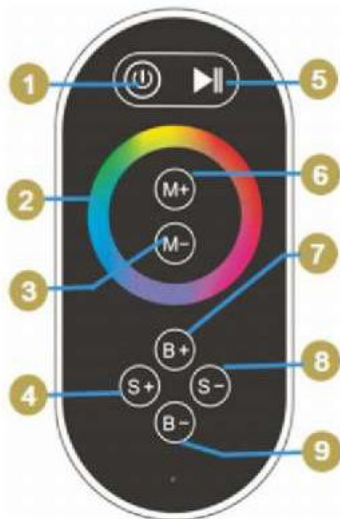
Working Current: 300uA

Standby Current: 3uA

Standby time: 6 months

Control distance: L20M

Color pulley point: 60



- ① ON/OFF
- ⑤ Mode Switch
- ② Color Touch Ring
- ③/⑥ Color Temperature adjusting
- ④/⑧ Dynamic Speed adjusting
- ⑦/⑨ Dynamic Brightness adjusting

1. Remote has 64 touch key, each key's function below: Pause on the dynamic mode, you can make the controller stop the current state now.

2. Power supply management: Stop to using the remote more than 20s, the remote will enter the standby mode, slightly shake once, then the remote will come back to the normal working mode

3. Indicator light instruction:

3.1. The remote is idle or sent signal when the PWR is bright, PWR is off, then means the remote is in standby

3.2. RF is bright, that means remote is sending signal, off means there is no signal sending

Right of product modification such as dimension without notice is reserved.

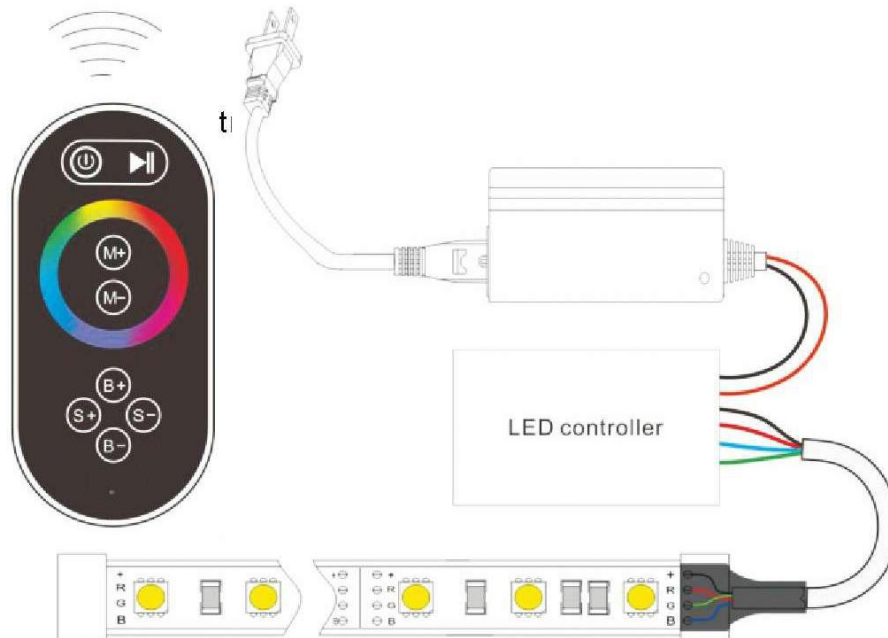
Contact Phone Number: (951)213-4742

Service Contact: contactus24service@gmail.com

## ◆ USER MANUAL

Mode:

NO.	FUNCTION	REMOTE
1	Static red	Brightness is adjustable Speed is unadjustable
2	Static green	
3	Static blue	
4	Static purple	
5	Static blue-green	
6	Static yellow	
7	Static white	
8	R G B Jumping	Brightness is adjustable Speed is adjustable
9	R G B Gradual	
10	7-Colors Jumping	
11	7-Colors Gradual	



- 1.This product should be installed by qualified personnel.
- 2.This product is not waterproof, avoid rain and sunlight, if installed outdoors, please use waterproof box.
- 3.Good heat dissipation will extend the life of the LED controller, please install the product in a well - ventilated area.
- 4.Please do not install or use this product in lightning,thunder, strong magnetic or high voltage applications.
- 5.Please check whether the output voltage of the LED power supply used meets the product voltage range requirements.
- 6.The diameter of the wire used must be sufficient to load the connected LED luminaire,and ensure that the wiring is firm,to avoid the wire overheating or poor contact triggers an accident.
- 7.Before power-on debugging,ensure that all wiring is correct to avoid damage to the luminaire due to wiring errors.

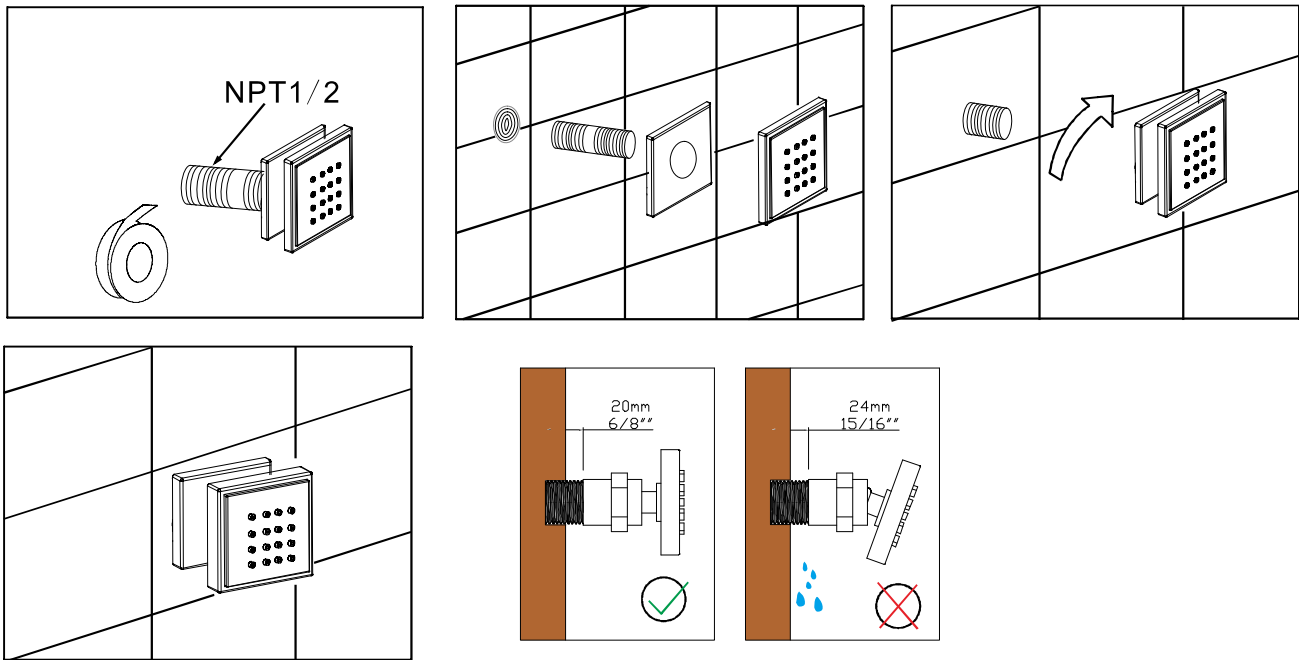
Right of product modification such as dimension without notice is reserved.

Contact Phone Number:(951)213-4742

Service Contact:contactus24service@gmail.com

# LUXURY SHOWER SET

## ◆ Body jet installation



Step 1: Wrap the threads of the 1/2" nipple with teon tape.

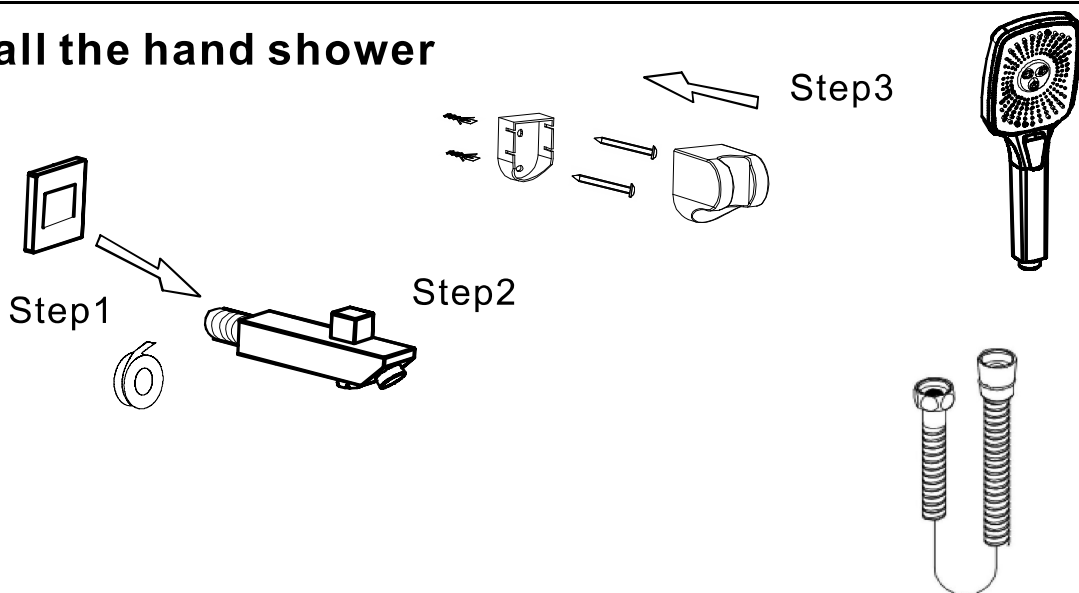
Step 2: Screw the nipple into the wall connection.

Step 3: Screw the bodyjet onto the wall connection.

Step 4: The installation is complete

**⚠ Warning:** If the installation depth is (15/16"), it will cause the the body jet to spin, not tighten and leak.

## ◆ Install the hand shower



1. Wrap telon tape around the threads of the hand shower arm.
2. Screw the hand shower arm into the wall connection and tighten securely.
3. Connect one end of the shower hose to the hand shower and the opposite end to the hand shower arm. Secure the shower arm bracket and insert the hand shower into the hand shower arm bracket.

Right of product modification such as dimension without notice is reserved.

Contact Phone Number:(951)213-4742  
Service Contact:contactus24service@gmail.com

## Care and Maintenance

---

Rinse faucet with clean water and wipe with soft cotton cloth

Avoid using cleaning powders, harsh cleaning chemicals, coarse brushes, a cloth with an abrasive surface to prevent scratching and corrosion

Do not use an acidic cleaner to clean the faucet as it may cause surface corrosion on the faucet.  
If the faucet comes into contact with harmful acidic substances, please rinse it with water immediately.



### **If a large-scale clean-up is necessary, follow these procedures:**

- 1: Use clean water and a soft cloth to remove dirt on the surface.
2. Use one of the following cleaners to remove dirt on the surface: Mild liquid cleaner, colorless glass cleaner, powder cleaner which is not abrasive and can be dissolved completely and a polish liquid which is not abrasive.
- 3: After cleaning, remove the cleansing agent with clean water and wipe with soft cotton cloth.