

SHOWER FAUCET

Installation Manual



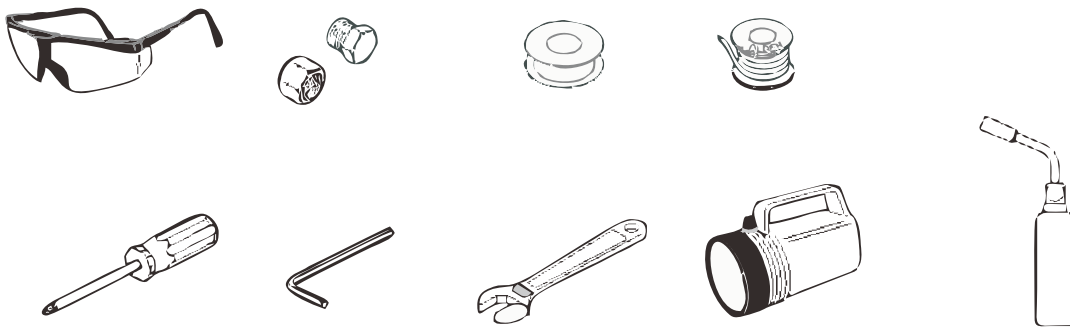
CA-A4383-BN/MB/CP/BG/MW/ORB

LUXURY SHOWER SET

◆ INSTALLATION

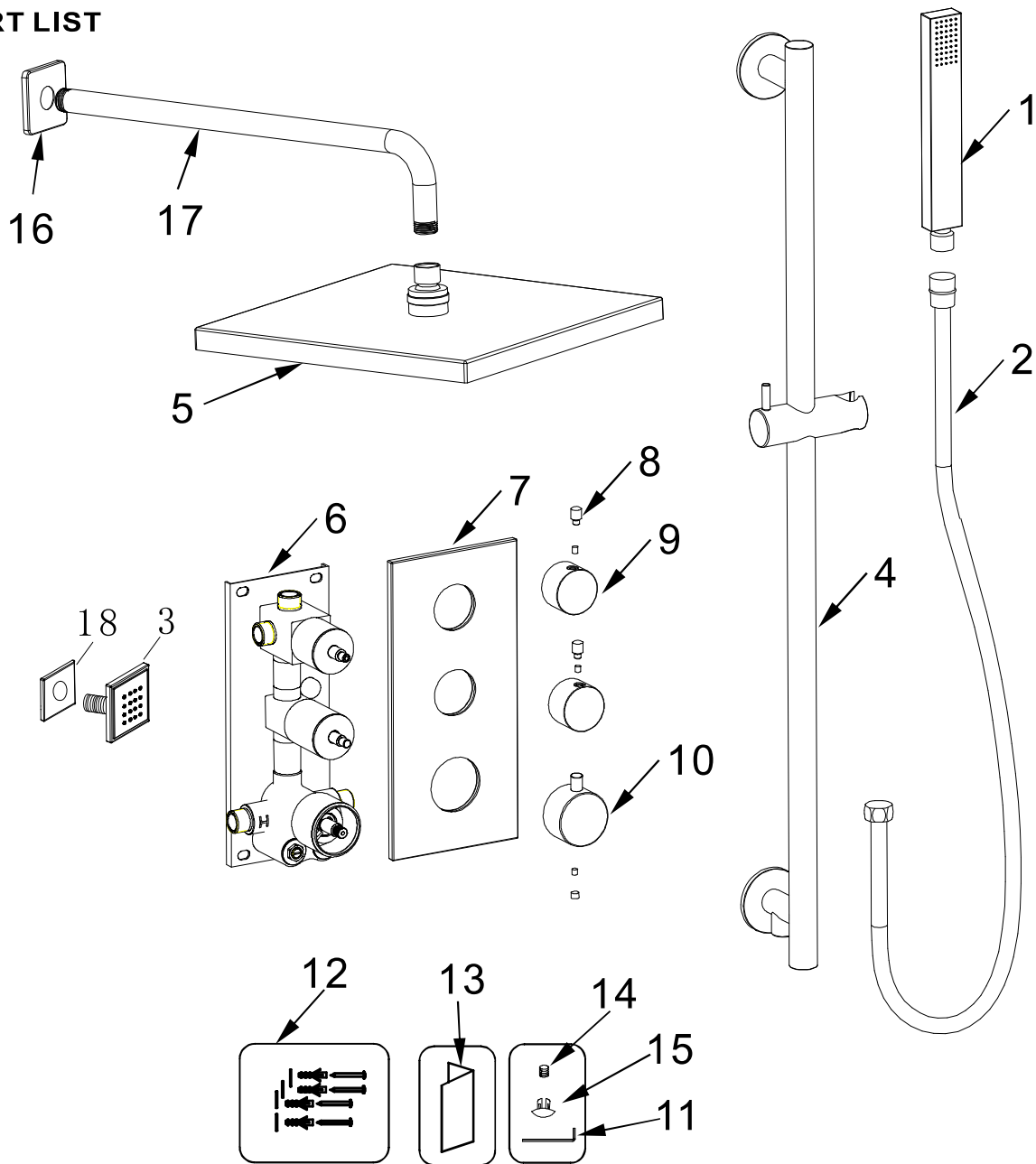
1. Refer to the «Standard Part List» when unpacking , check that all parts are present .
2. Do not disassemble the valve body.
3. Connect inlet hoses to the supply valves .
4. Make sure to flush out the supply lines to clear any possible debris before installation.
5. After installation , check all joints for possible leaks.

YOU MAY NEED:



LUXURY SHOWER SET

◆ PART LIST



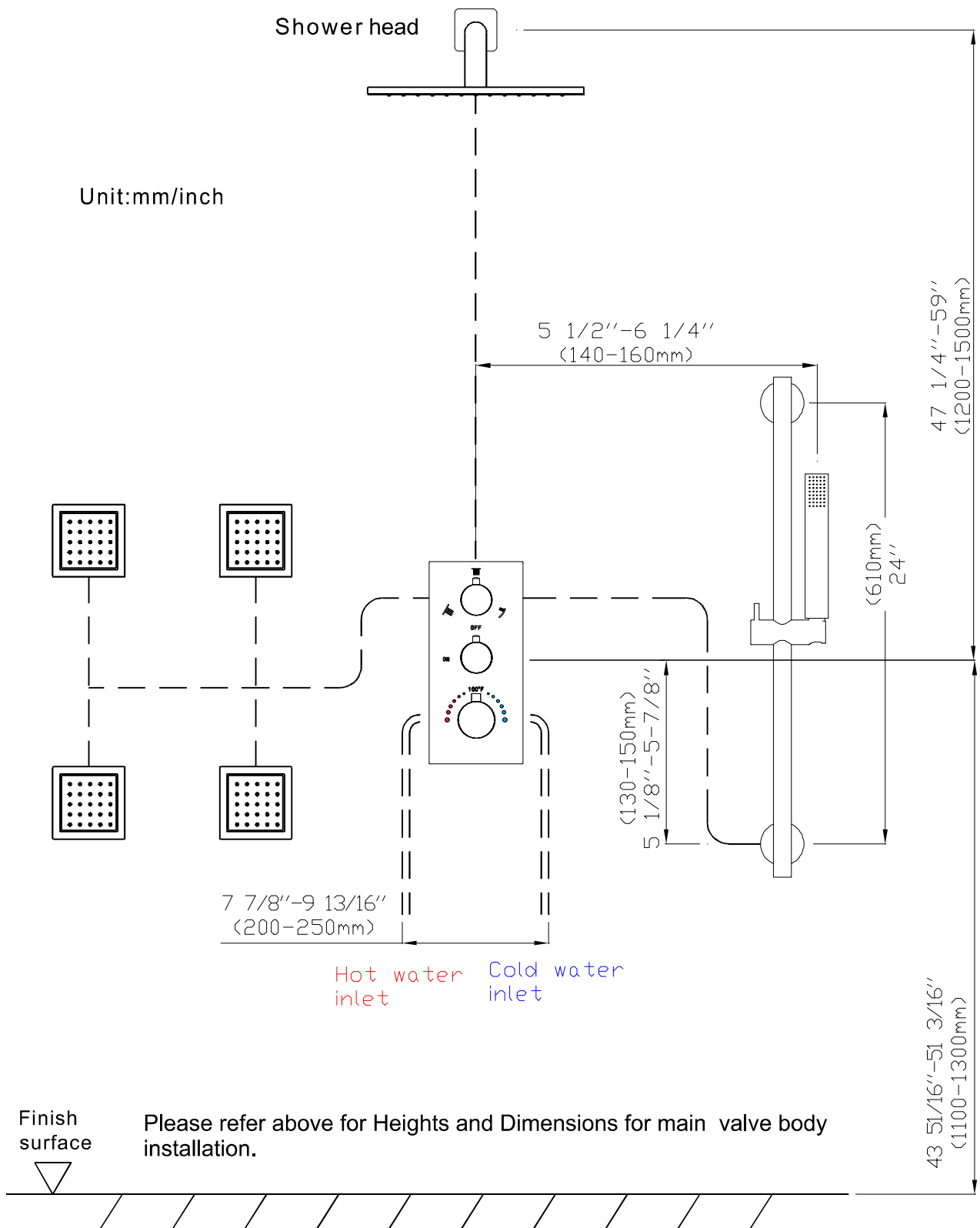
NO.	Part name	Qty	NO.	Part name	Qty	NO.	Part name	Qty
1	Hand shower	1	7	Trim plate	1	13	Manual	1
2	Shower hose	1	8	Knob handles	2	14	Set screw	3
3	Body jet	4	9	Diverter knobs	2	15	Cap	1
4	Slide bar	1	10	Temperature knob	1	16	Shower arm escutcheon	1
5	Shower head	1	11	Allen wrench	1	17	Shower arm	1
6	Valve body	1	12	Anchor kit	1	18	Body jet escutcheon	4

Right of product modification such as dimension without notice is reserved.

Contact Phone Number:(951)213-4742
Service Contact:contactus24service@gmail.com

LUXURY SHOWER SET

◆ INSTALLATION HEIGHTS AND DIMENSIONS



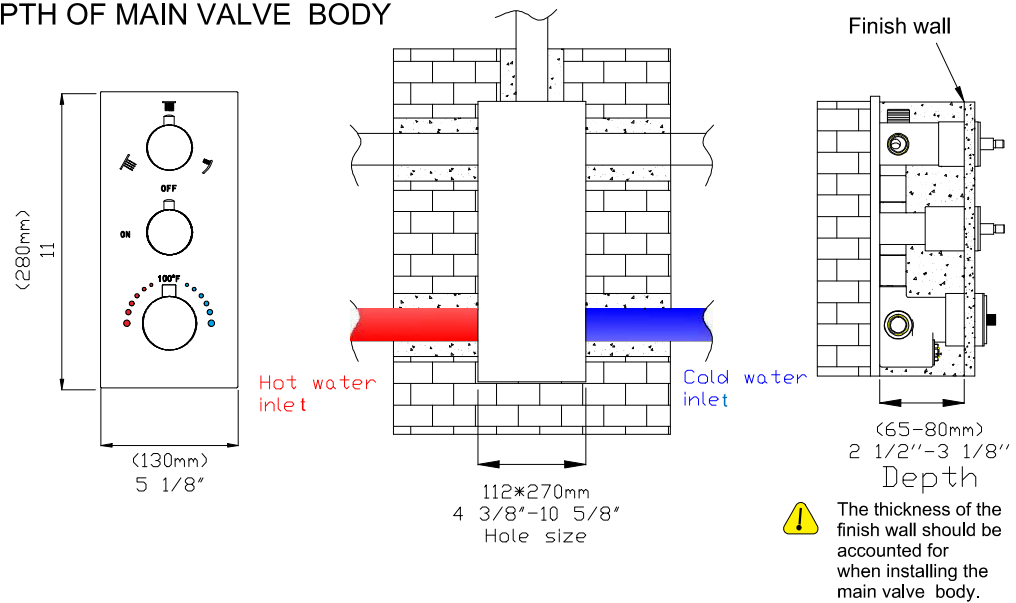
Right of product modification such as dimension without notice is reserved.

Contact Phone Number:(951)213-4742
Service Contact:contactus24service@gmail.com

LUXURY SHOWER SET

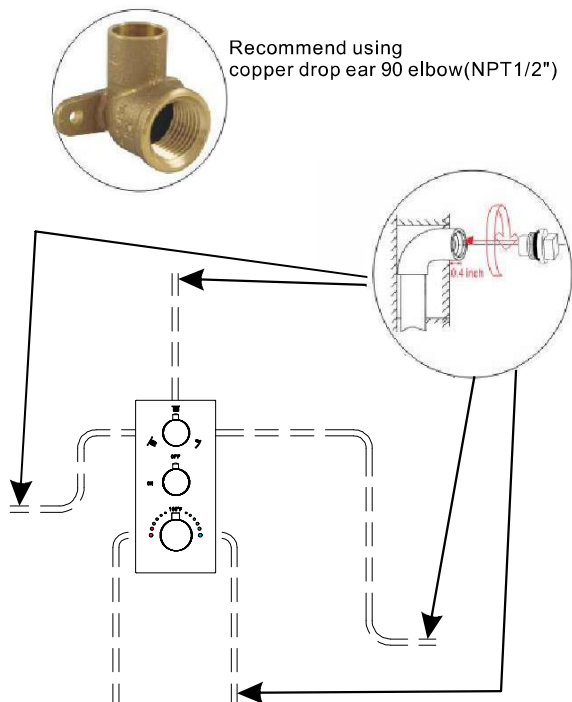
◆ INSTALLATION DEPTH OF MAIN VALVE BODY

Unit:mm/inch



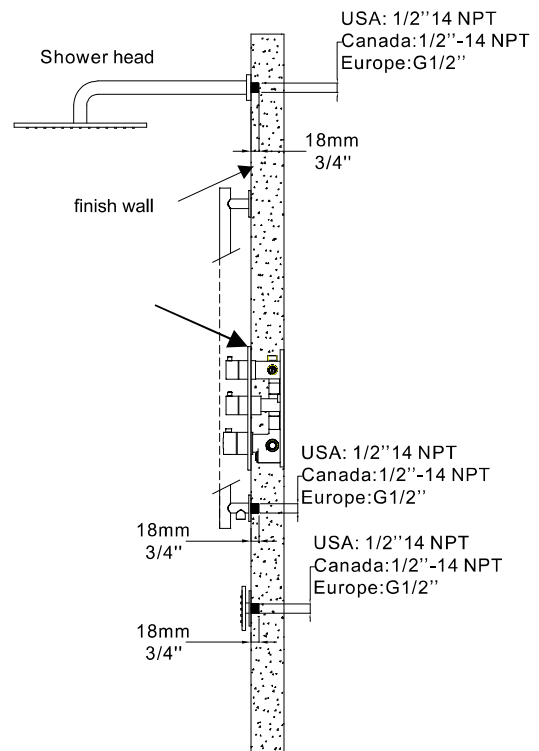
1. Including the thickness of the ceramic tile it is less than or equal to the thickness of valve 3 1/8" (80mm) so the thickness of tile must be calculated before installation.
2. Installation of the main valve body should be 2 1/2" (65mm)min and not more than 3 1/8" (80mm)Max, or the valve components will not fit properly or work correctly.
3. The hole size of the main body after tiling is smaller than the size of the panel.

◆ WALL MOUNTED/CEILING MOUNTED INSTALLATION



Recommend using Copper drop ear 90 elbow (NPT 1/2")
USA: 1/2"-14 NPT
Canada: 1/2"-14 NPT
Europe: G1/2"

◆ INSTALLATION DEPTH OF THE SHOWER HEAD, SLIDE BAR & BODYJET



The thickness of the finish wall must be calculated before installation.

Right of product modification such as dimension without notice is reserved.

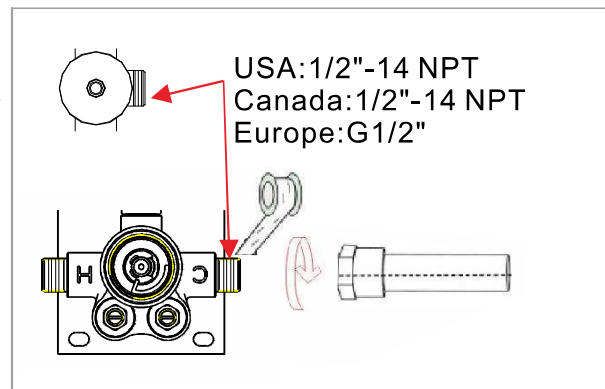
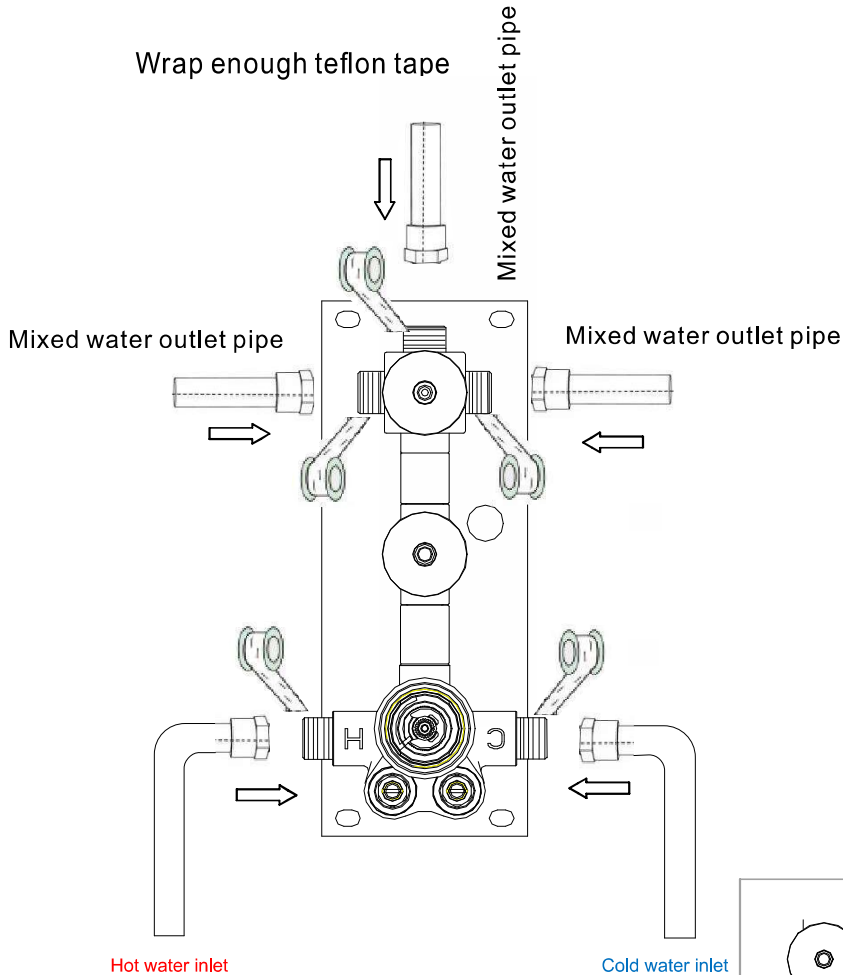
Contact Phone Number:(951)213-4742
Service Contact:contactus24service@gmail.com

LUXURY SHOWER SET

◆ MAIN BODY PIPING DIAGRAM



Warning: pipe all water inlets and outlets as shown.



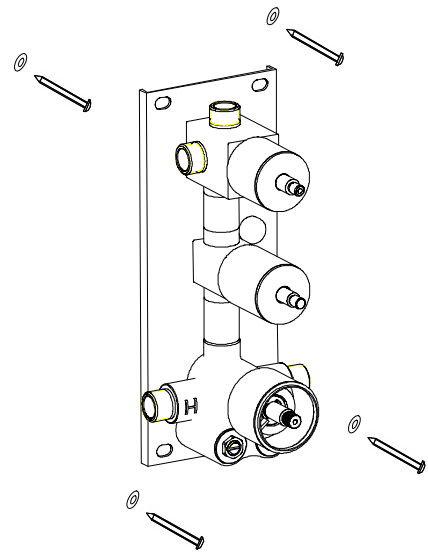
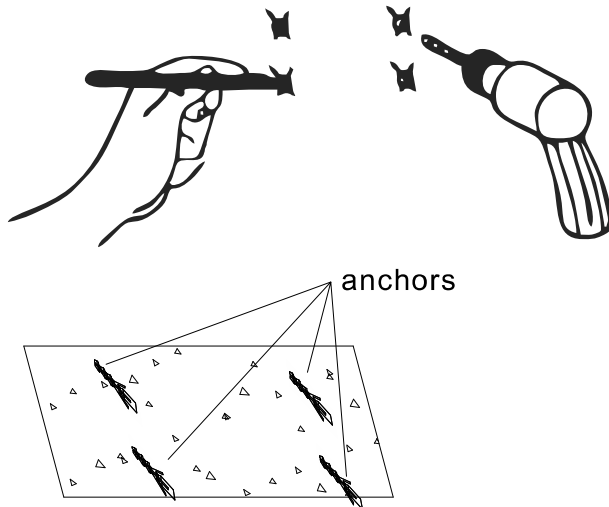
1. As shown in the image, pay attention to the correct direction when installing the main body, and make sure that the mark level on the top of the installation box is facing upward.
2. Install the hot and cold water inlet pipes, shower head and hand shower outlet pipes.
3. Turn on the water to test whether the left and right inlet pipes are tightly connected without leakage. After the test, adjust the flow switch to be on to test whether the mixed outlet pipe connection is tight and there is no leakage.

Right of product modification such as dimension without notice is reserved.

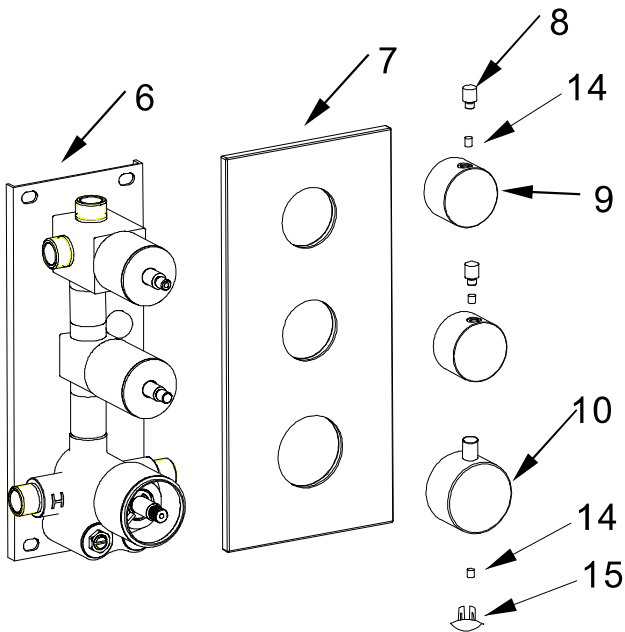
Contact Phone Number:(951)213-4742
Service Contact:contactus24service@gmail.com

LUXURY SHOWER SET

◆ MAIN VALVE BODY INSTALLATION

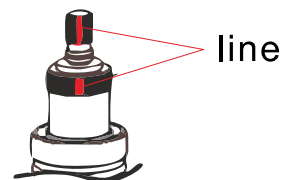


1. Make marks according to the size of the main body valve, and then drill anchors into the wall (concrete wall).
2. Lock the main body to wood directly with screws (wood wall).
3. When installing the main body, please install the UP side up and do not install it upside down.

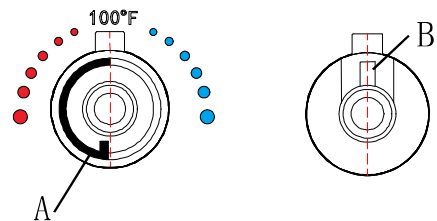


Install (7) Panel (10) Knob (15) cap (14) screw (9) diverter knob (8) diverter knob handle in the correct order.

Precautions for the knob Installation
1. The line can't be uneven; it should be kept in line. Otherwise, the water temperature of 100°F will not be correct.



2. Please ensure that the plastic locating ring (A) and knob locating pin (B) are kept in the same line with 100°F. Otherwise, the water temperature will be incorrect.

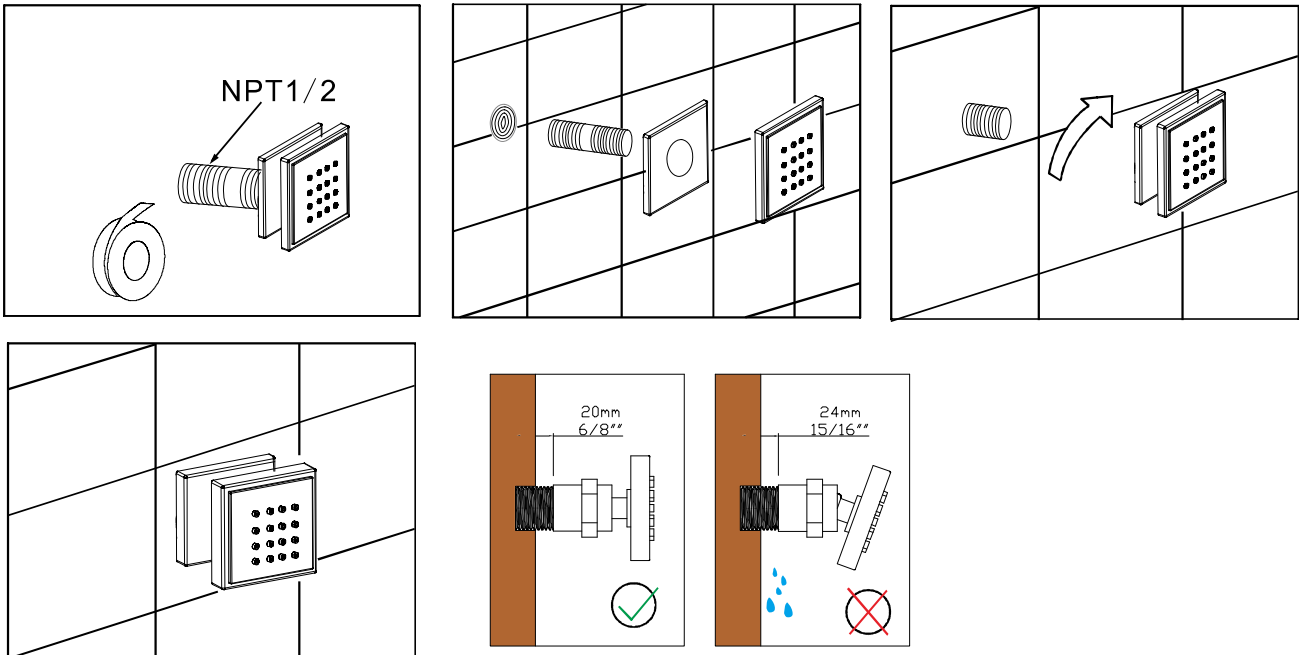


Right of product modification such as dimension without notice is reserved.

Contact Phone Number: (951) 213-4742
Service Contact: contactus24service@gmail.com

LUXURY SHOWER SET

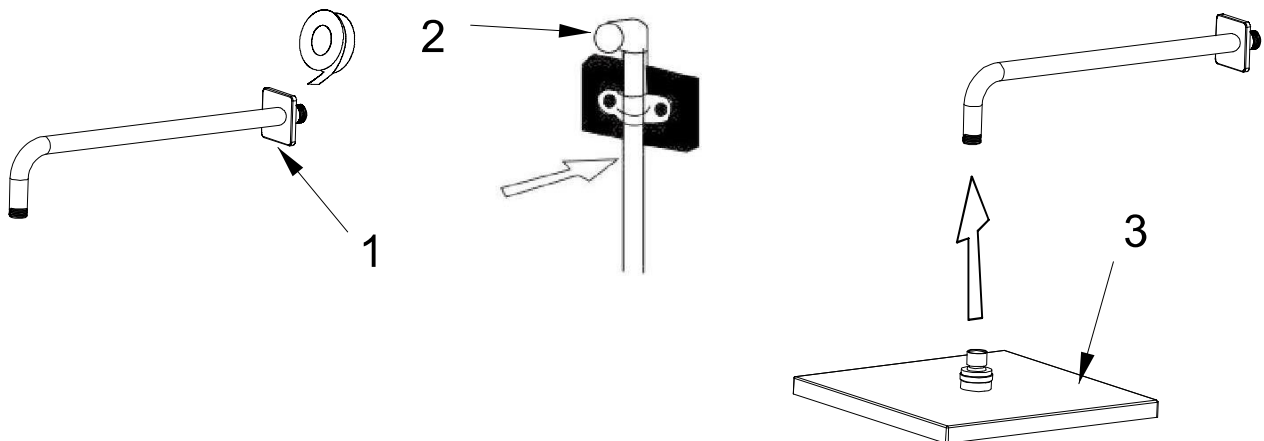
◆ Body jet installation



- Step 1: Wrap the threads of the 1/2" nipple with teflon tape.
- Step 2: Screw the nipple into the wall connection.
- Step 3: Screw the body jet onto the wall connection.
- Step 4: The installation is complete

⚠ Warning: If the installation depth is (15/16"), it will cause the the body jet to spin, not tighten and leak.

◆ INSTALLATION OF SHOWER HEAD & SHOWER ARM



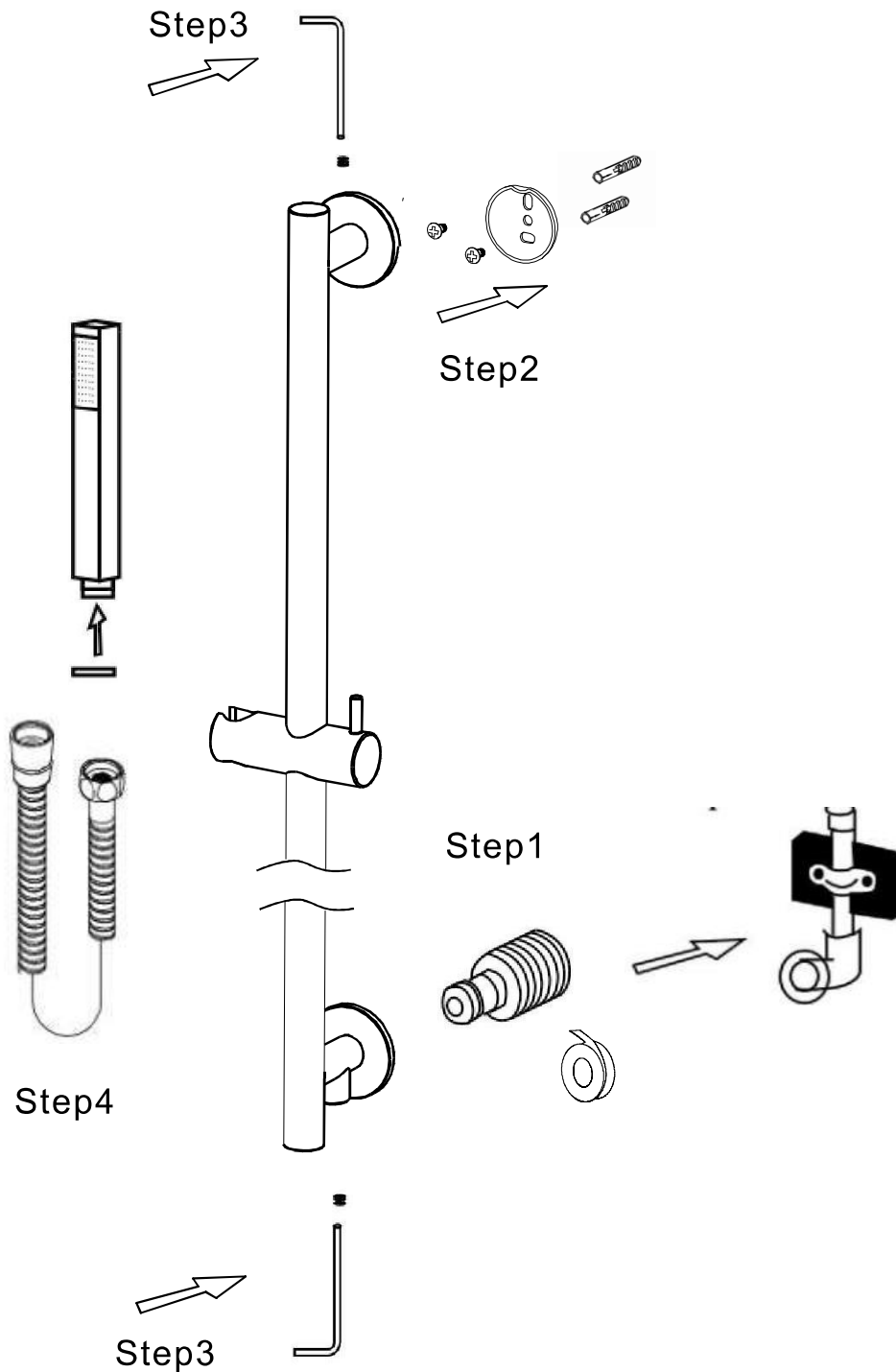
1. Slide the shower arm escutcheon onto the shower arm, apply teflon tape to both ends of the shower arm.
 2. Screw the shower arm into the wall connection, ensuring it is secure and in the proper position.
 3. Screw the shower head onto the shower arm.
- NOTE: Do not overtighten as it may cause damage to the fitting in the wall.

Right of product modification such as dimension without notice is reserved.

Contact Phone Number:(951)213-4742
Service Contact:contactus24service@gmail.com

LUXURY SHOWER SET

◆ Install the slide bar & hand shower



- Step1. Wrap the threads with teflon tape, then screw the adapter into the wall connection.
Step2. Screw the mounting plate onto the wall.
Step3. Screw the main body into the thread.
Step4. Secure the slide bar with the Allen wrench.
Step5. Connect the hand shower and hose

Right of product modification such as dimension without notice is reserved.

Contact Phone Number:(951)213-4742
Service Contact:contactus24service@gmail.com

Care and Maintenance

Rinse faucet with clean water and wipe with soft cotton cloth

Avoid using cleaning powders, harsh cleaning chemicals, coarse brushes, a cloth with an abrasive surface to prevent scratching and corrosion

Do not use an acidic cleaner to clean the faucet as it may cause surface corrosion on the faucet.
If the faucet comes into contact with harmful acidic substances, please rinse it with water immediately.



If a large-scale clean-up is necessary, follow these procedures:

- 1: Use clean water and a soft cloth to remove dirt on the surface.
2. Use one of the following cleaners to remove dirt on the surface: Mild liquid cleaner, colorless glass cleaner, powder cleaner which is not abrasive and can be dissolved completely and a polish liquid which is not abrasive.
- 3: After cleaning, remove the cleansing agent with clean water and wipe with soft cotton cloth.