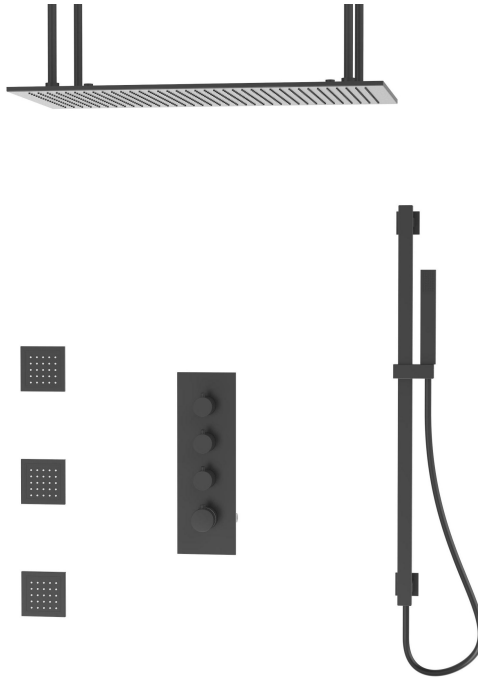


SHOWER FAUCET

Installation Manual



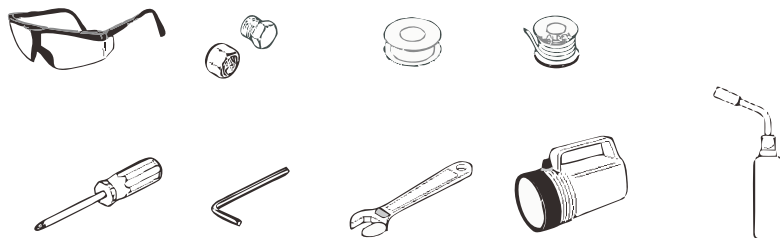
CA-A4382-BN/MB/CP/BG/MW/ORB

LUXURY SHOWER SET

◆ INSTALLATION

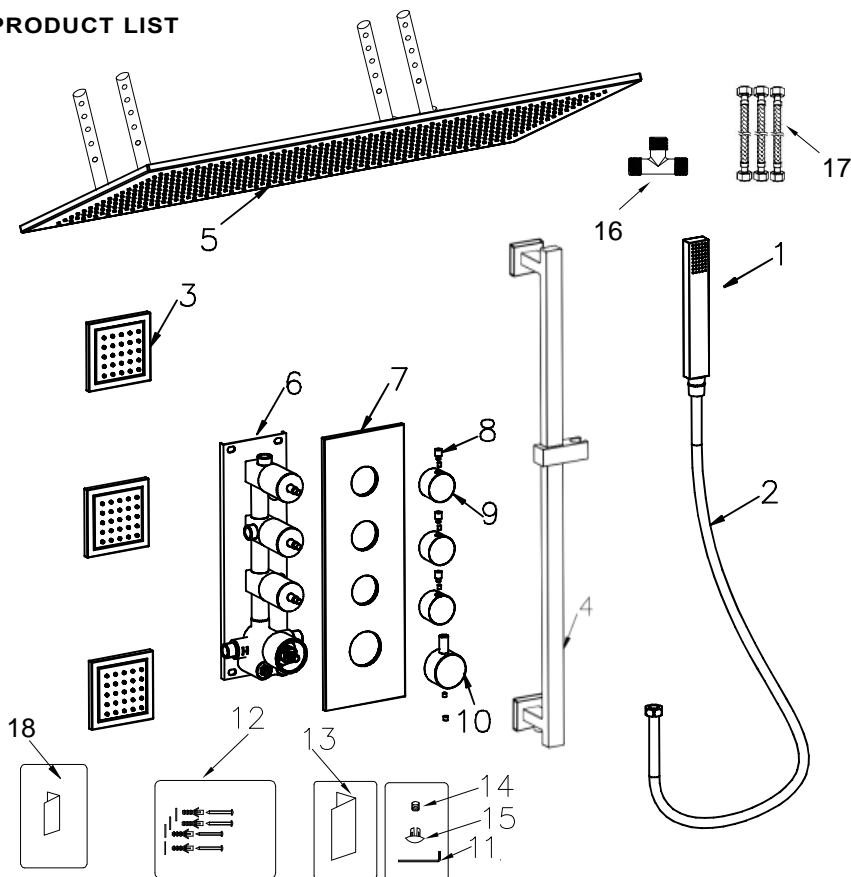
1. Refer to the《Standard Part List》 when unpacking , check that all parts are present.
2. Do not disassemble the valve body.
3. Connect inlet hoses to the supply valves.
4. Make sure to flush out the supply lines to clear any possible debris before installation.
5. After installation , check all joints for possible leaks.

YOU MAY NEED:



LUXURY SHOWER SET

◆ PRODUCT LIST



NO.	Part name	Qty	NO.	Part name	Qty	NO.	Part name	Qty
1	Hand shower	1	7	Valve trim panel	1	13	Manual	1
2	Shower hose	1	8	Knob handle	1	14	Set screw	1
3	Body jet	3	9	Diverter knobs	1	15	Knob screw cap	1
4	Slide bar	1	10	Temperature knob	1	16	Tee fitting	1
5	Shower head	1	11	Allen wrench	3	17	Supply line	3
6	Valve body	1	12	Anchor kit	1	18	Manual	1

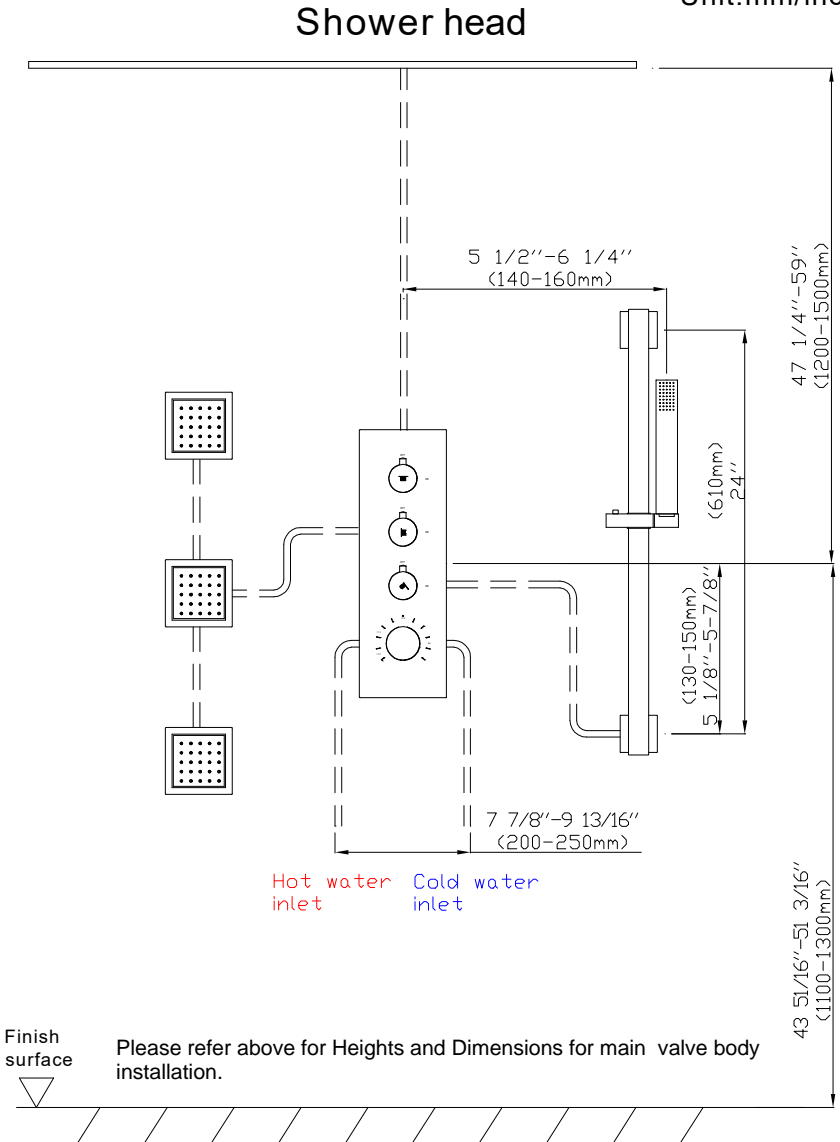
Right of product modification such as dimension without notice is reserved.

Contact Phone Number:(951)213-4742
Service Contact:contactus24service@gmail.com

LUXURY SHOWER SET

◆ INSTALLATION HEIGHTS AND DIMENSIONS

Unit:mm/inch



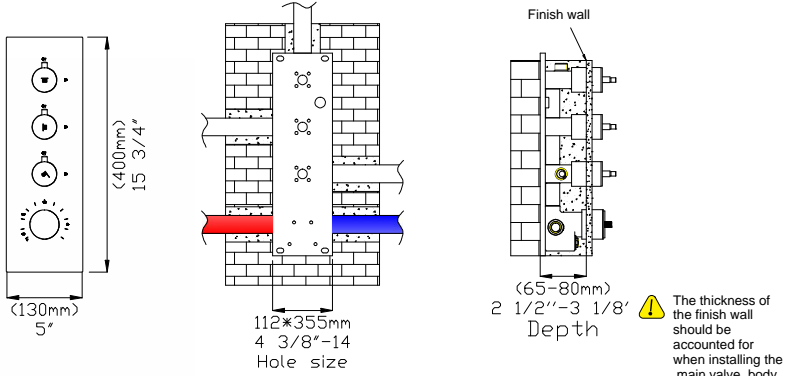
Right of product modification such as dimension without notice is reserved.

Contact Phone Number:(951)213-4742
Service Contact:contactus24service@gmail.com

LUXURY SHOWER SET

◆ INSTALLATION DEPTH OF MAIN VALVE BODY

Unit:mm/inch

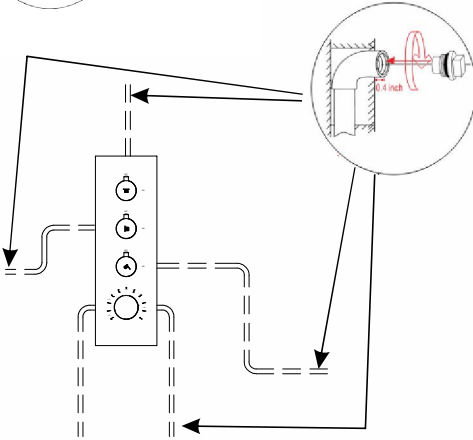


1. Including the thickness of the ceramic tile it is less than or equal to the thickness of valve 3 1/8" (80mm) so the thickness of tile must be calculated before installation.
2. Installation of the main valve body should be 2 1/2" (65mm)min and not more than 3 1/8" (80mm)Max, or the valve components will not fit properly or work correctly.
3. The hole size of the main body after tilling is smaller than the size of the panel.

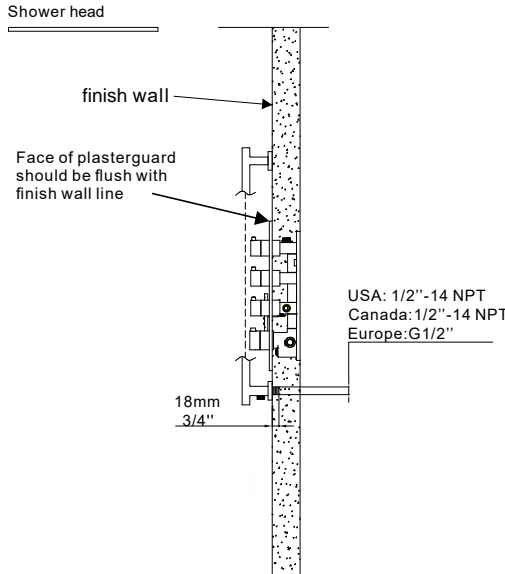
◆ WALL MOUNTED/CEILING MOUNTED INSTALLATION



Recommend using copper drop ear 90 elbow (NPT 1/2")



◆ INSTALLATION DEPTH OF VALVE BODY




The thickness of the finish wall must be calculated before installation

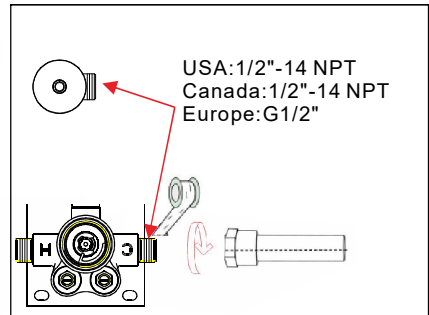
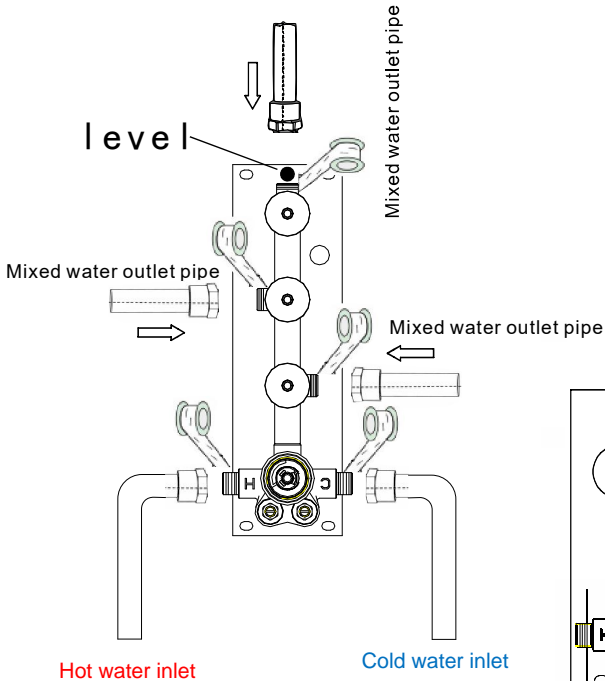
Right of product modification such as dimension without notice is reserved.

Contact Phone Number: (951) 213-4742
Service Contact: contactus24service@gmail.com

LUXURY SHOWER SET

◆ MAIN BODY PIPING DIAGRAM

-  Warning: pipe hot and cold water inlets as shown
Wrap enough teflon tape



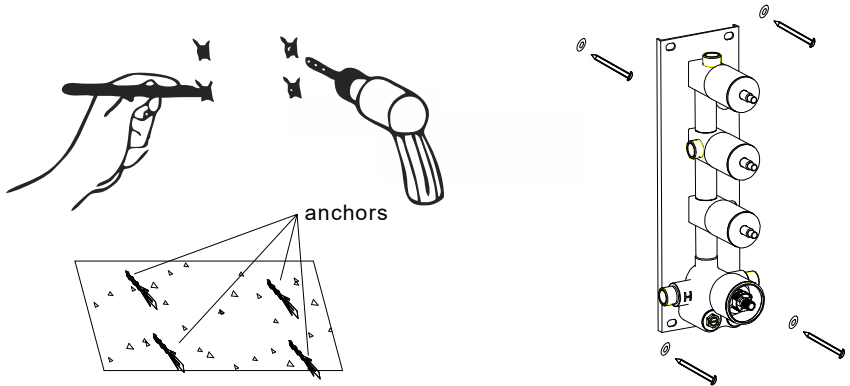
1. As shown in the image, pay attention to the correct direction when installing the main body, and make sure that the mark level on the top of the installation box is facing upward.
2. Install the hot and cold water inlet pipes, shower head and hand shower outlet pipes.
3. Turn on the water to test whether the left and right inlet pipes are tightly connected without leakage. After the test, adjust the flow switch to be on to test whether the mixed outlet pipe. The connection is tight and there is no leakage.

Right of product modification such as dimension without notice is reserved.

Contact Phone Number: (951) 213-4742
Service Contact: contactus24service@gmail.com

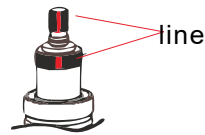
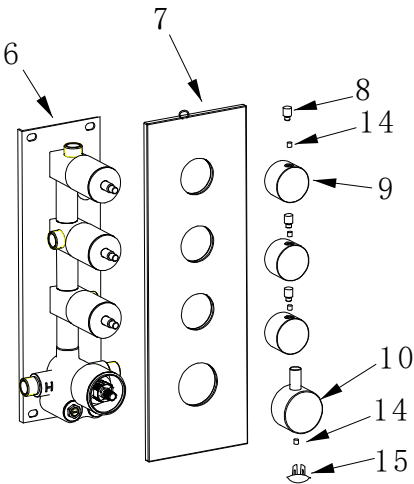
LUXURY SHOWER SET

◆ MAIN VALVE BODY INSTALLATION

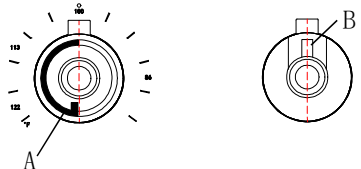


1. Make marks according to the size of the main body valve, and then drill anchors into the wall (concrete wall).
2. Lock the main body to wood directly with screws (wood wall).
3. When installing the main body, please install it the UP side up and do not install it upside down.

Precautions for the knob Installation
1. The line can't be uneven; it should be kept in line. Otherwise, the water temperature of 100°F will not be correct.



2. Please ensure that the plastic locating ring (A) and knob locating pin (B) are kept in the same line with 100°F. Otherwise, the water temperature will be incorrect.



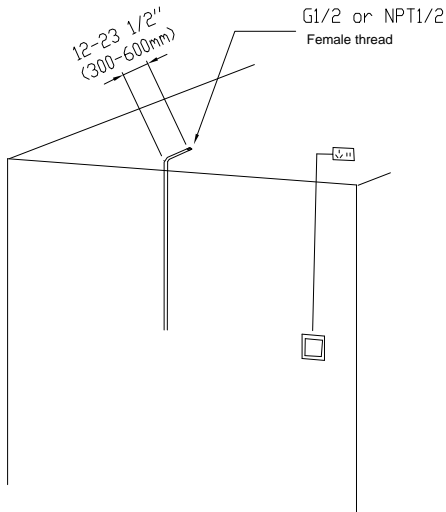
Install (7) Panel (10) Handle (15) cap (14) screw (9) diverter knob (8) diverter knob handle in the correct order.

Right of product modification such as dimension without notice is reserved.

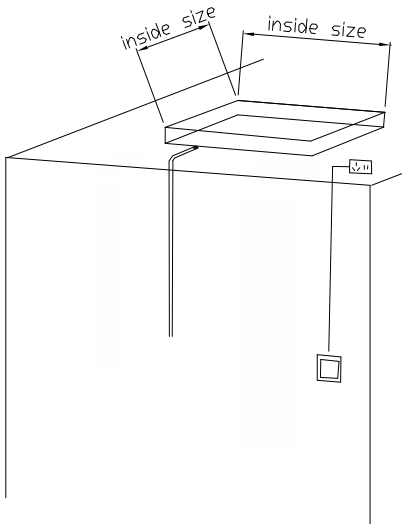
Contact Phone Number: (951) 213-4742
Service Contact: contactus24service@gmail.com

LUXURY SHOWER SET

◆ Shower head power/water pipe-layout



◆ Shower head hole dimensions



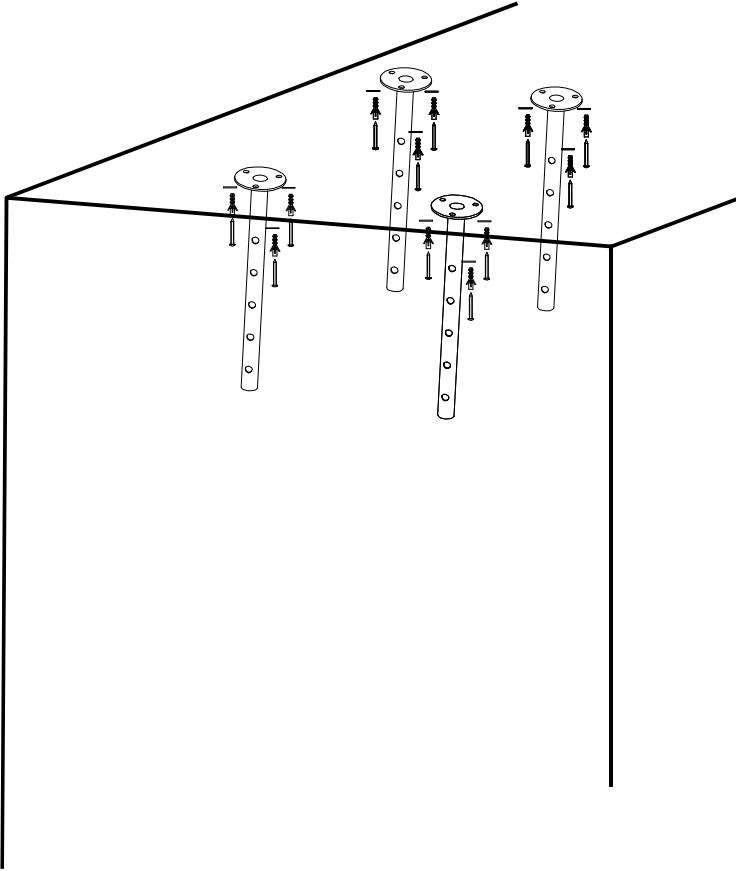
Shower head hole measurement:
(31 3/4" - 16)

Right of product modification such as dimension without notice is reserved.

Contact Phone Number:(951)213-4742
Service Contact:contactus24service@gmail.com

LUXURY SHOWER SET

◆ Shower head fixed frame installation



Secure the rod brackets to the ceiling, use anchor screws if needed.

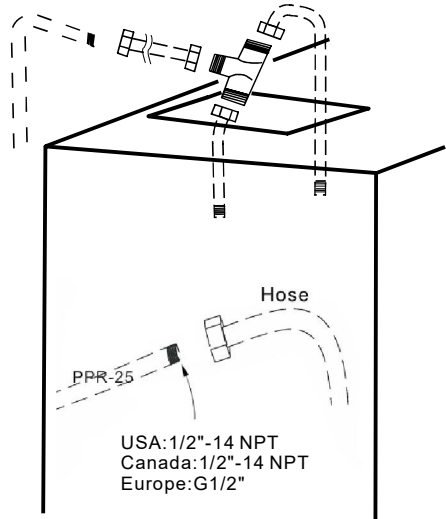
Right of product modification such as dimension without notice is reserved.

Contact Phone Number:(951)213-4742
Service Contact:contactus24service@gmail.com

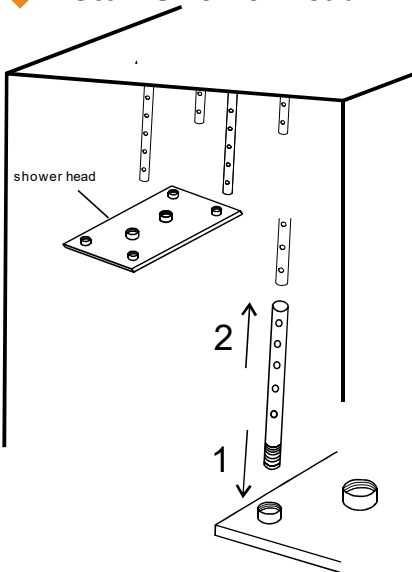
LUXURY SHOWER SET

◆ Layout for water pipe

Connect one end of the flexible supply line with the embedded water line and the other end connect with the Tee fitting.

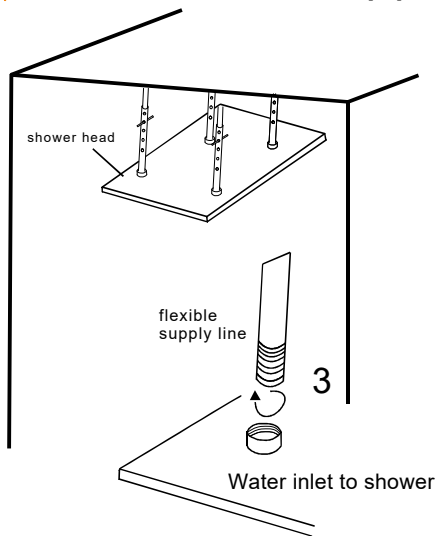


◆ Install Shower head



1. Install the extension tube into the shower head
2. Insert the extension tube into the bracket rod
3. Install the flexible supply line into the shower head

◆ Connect the water inlet pipe

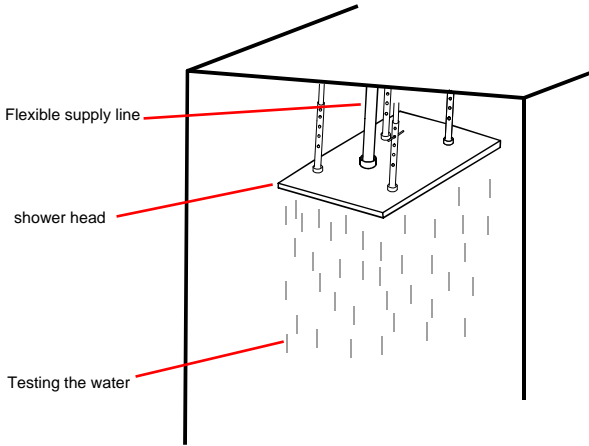


Right of product modification such as dimension without notice is reserved.

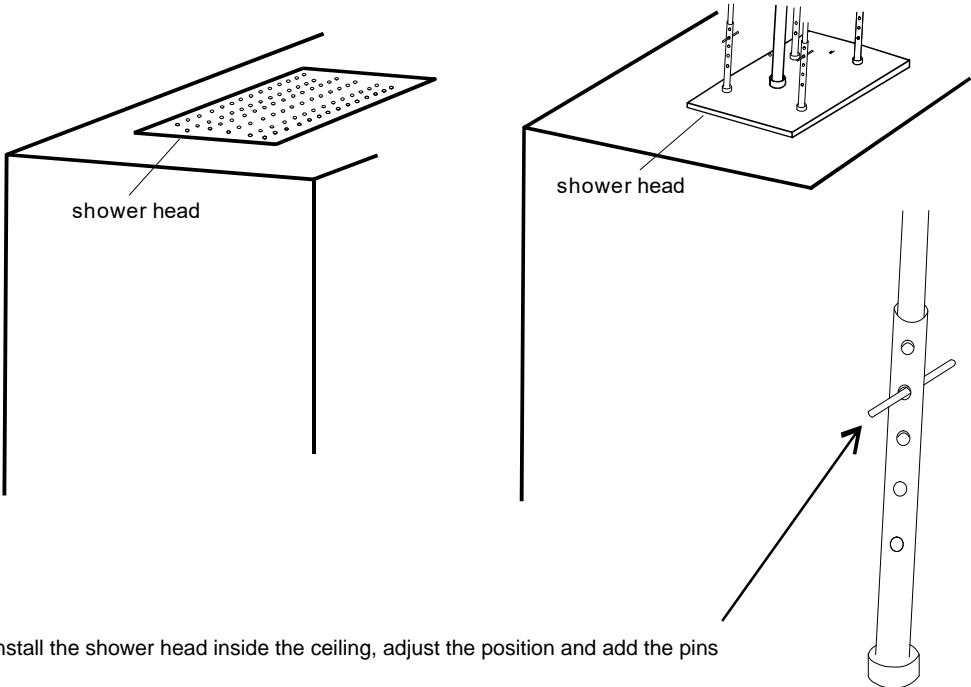
Contact Phone Number: (951)213-4742
Service Contact: contactus24service@gmail.com

LUXURY SHOWER SET

◆ Testing the water



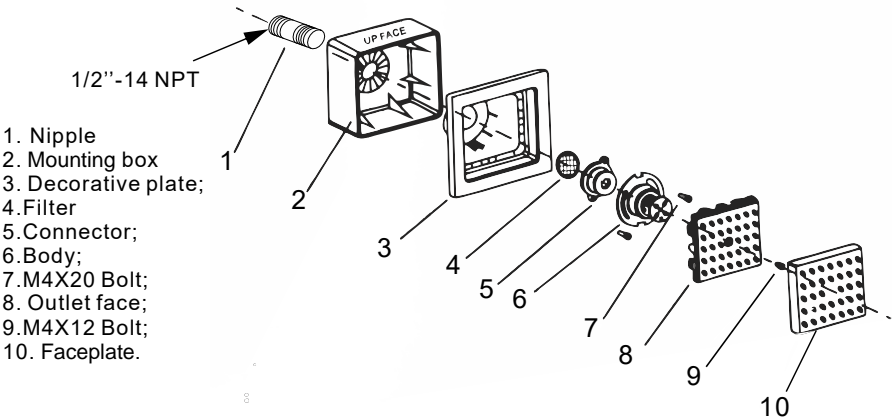
◆ Shower installation




Right of product modification such as dimension without notice is reserved.

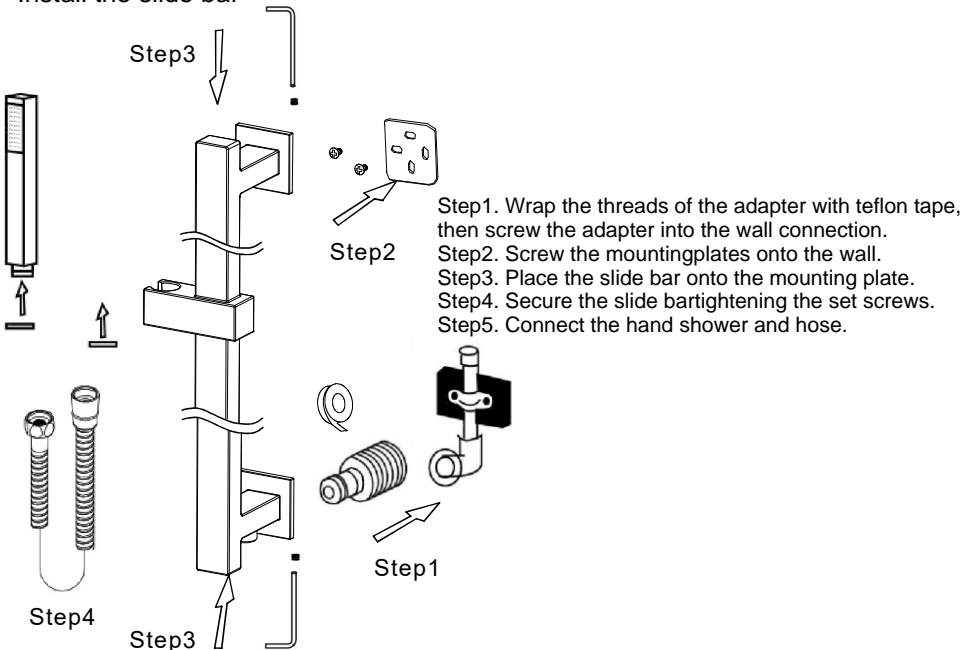
Contact Phone Number:(951)213-4742
Service Contact:contactus24service@gmail.com

◆ Body jet installation



 Please refer to the separate body jet installation manual for detailed installation methods

◆ Install the slide bar



Care and Maintenance

Rinse faucet with clean water and wipe with soft cotton cloth

Avoid using cleaning powders, harsh cleaning chemicals, coarse brushes, a cloth with an abrasive surface to prevent scratching and corrosion

Do not use an acidic cleaner to clean the faucet as it may cause surface corrosion on the faucet. If the faucet comes into contact with harmful acidic substances, please rinse it with water immediately.



If a large-scale clean-up is necessary, follow these procedures:

- 1: Use clean water and a soft cloth to remove dirt on the surface.
2. Use one of the following cleaners to remove dirt on the surface: Mild liquid cleaner, colorless glass cleaner, powder cleaner which is not abrasive and can be dissolved completely and a polish liquid which is not abrasive.
- 3: After cleaning, remove the cleansing agent with clean water and wipe with soft cotton cloth.