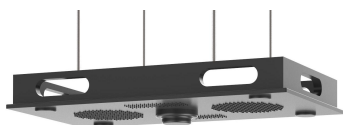


# SHOWER FAUCET

## Installation Manual



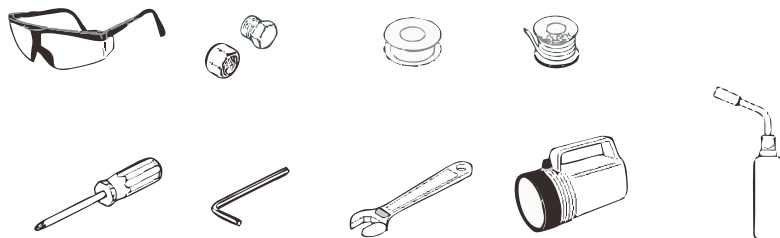
CA-A4381-BN/MB/CP/BG/MW/ORB

# LUXURY SHOWER SET

## ◆ INSTALLATION

1. Refer to the «Standard Part List» when unpacking , check that all parts are present.
2. Do not disassemble the valve body.
3. Connect inlet hoses to the supply valves.
4. Make sure to flush out the supply lines to clear any possible debris before installation.
5. After installation , check all joints for possible leaks.

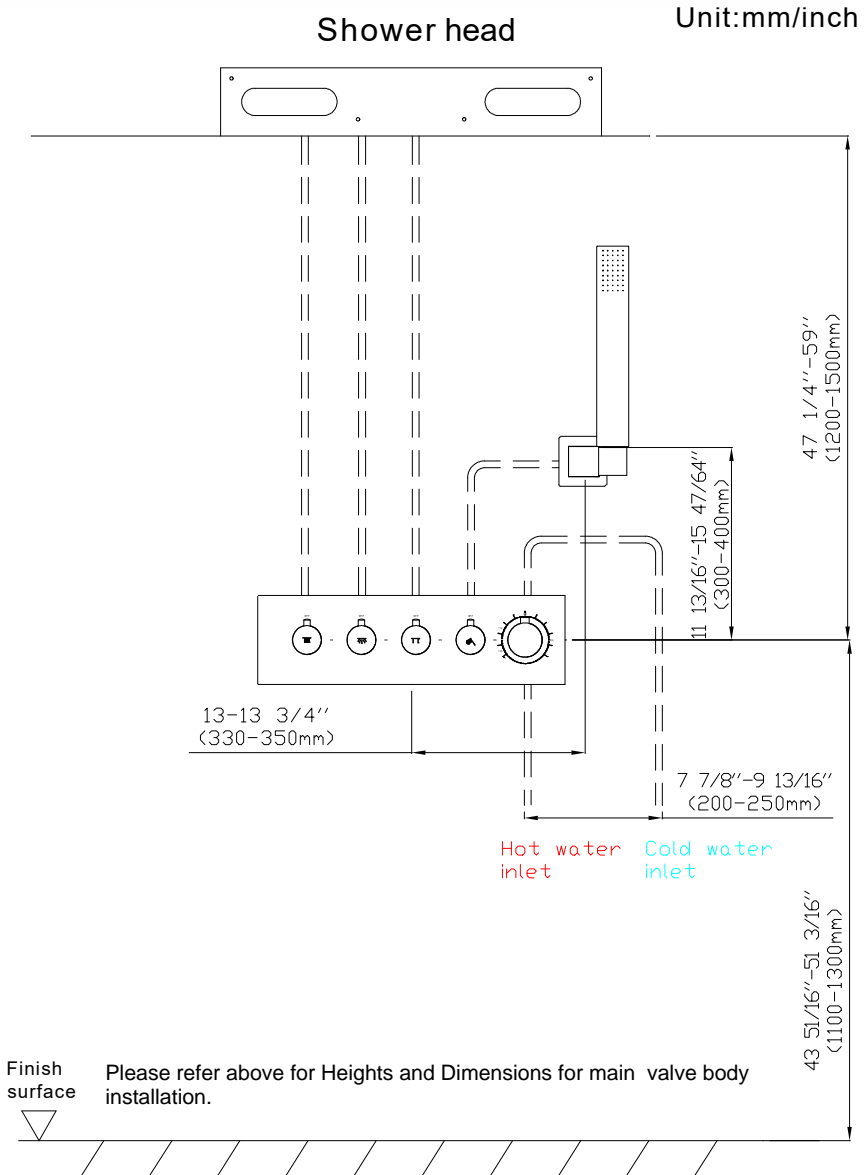
### YOU MAY NEED:





# LUXURY SHOWER SET

## ◆ INSTALLATION HEIGHTS AND DIMENSIONS



Right of product modification such as dimension without notice is reserved.

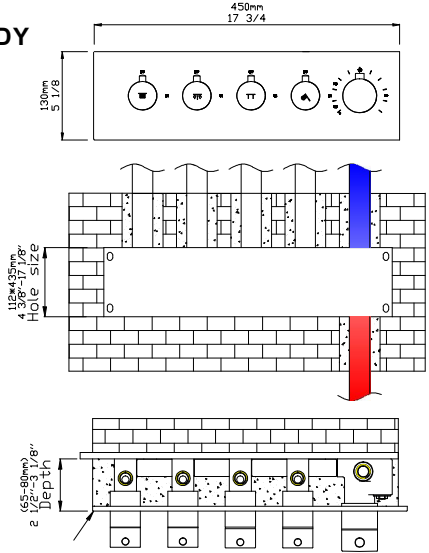
Contact Phone Number:(951)213-4742  
Service Contact:contactus24service@gmail.com

# LUXURY SHOWER SET

## ◆ INSTALLATION DEPTH OF MAIN VALVE BODY

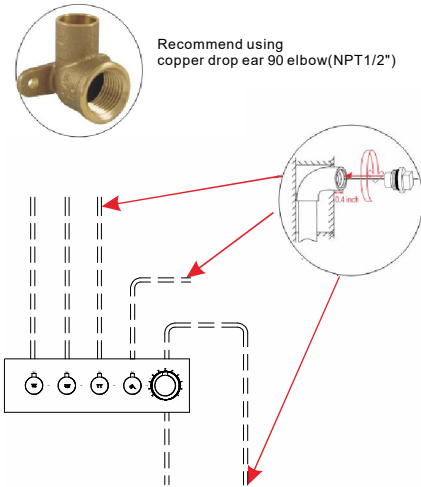
Unit:mm/inch

1. Including the thickness of the ceramic tile it is less than or equal to the thickness of valve  $3\frac{1}{8}"$  (80mm) so the thickness of tile must be calculated before installation.
2. Installation of the main valve body should be  $2\frac{1}{2}"$  (65mm)min and not more than  $3\frac{1}{8}"$  (80mm)Max, or the valve components will not fit properly or work correctly.
3. The hole size of the main body after tiling is smaller than the size of the panel.



**⚠** The thickness of the finish wall should be accounted for when installing the main valve body.

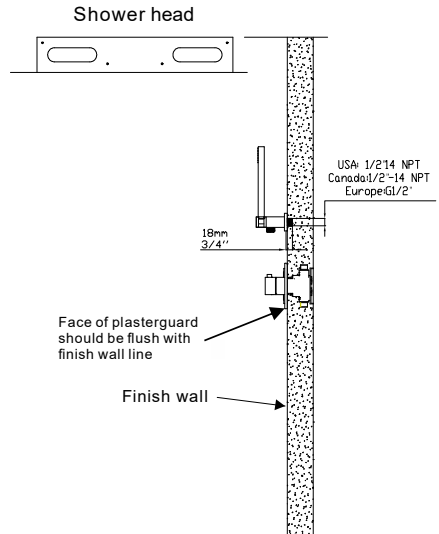
## ◆ WALL MOUNTED/CEILING MOUNTED INSTALLATION



Recommend using copper drop ear 90 elbow(NPT1/2")

1: Recommend using Copper drop ear 90 elbow(NPT 1/2")  
USA: 1/14 NPT2-Canada: 1/2"-14 NPT Europe: G1/2"

## ◆ INSTALLATION DEPTH OF MAIN VALVE BODY



The thickness of the finish wall must be calculated before installation

Right of product modification such as dimension without notice is reserved.

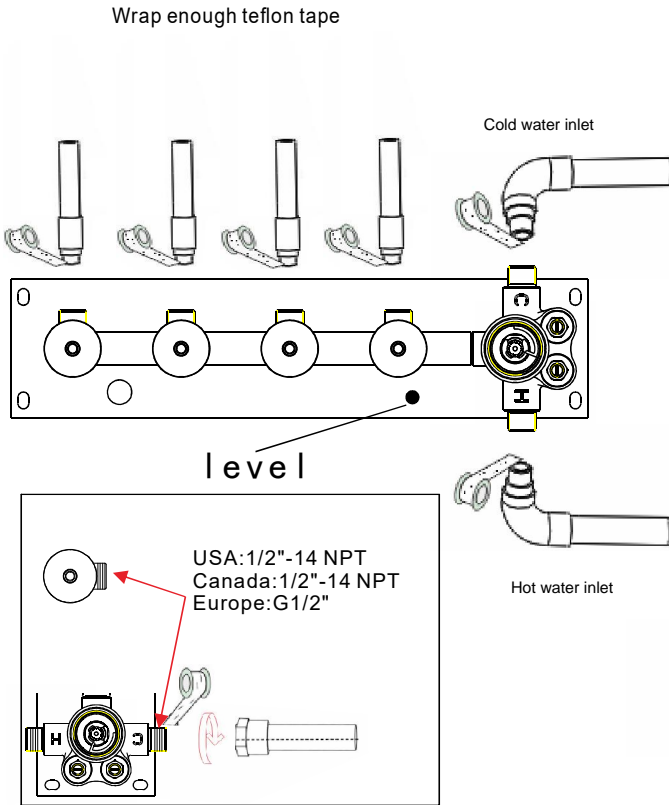
Contact Phone Number:(951)213-4742  
Service Contact:contactus24service@gmail.com

# LUXURY SHOWER SET

## ◆ MAIN BODY PIPING DIAGRAM



Warning: pipe all water inlets and outlets as shown.



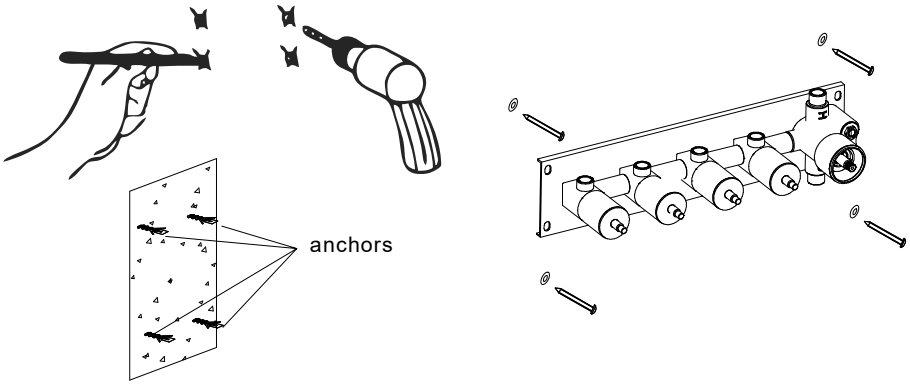
1. As shown in the image, pay attention to the correct direction when installing the main body, and make sure that the mark level on the top of the installation box is facing upward.
2. Install the hot and cold water inlet pipes, shower head and hand shower outlet pipes.
3. Turn on the water to test whether the left and right inlet pipes are tightly connected without leakage. After the test, adjust the flow switch to be on to test whether the mixed outlet pipe. The connection is tight and there is no leakage.

Right of product modification such as dimension without notice is reserved.

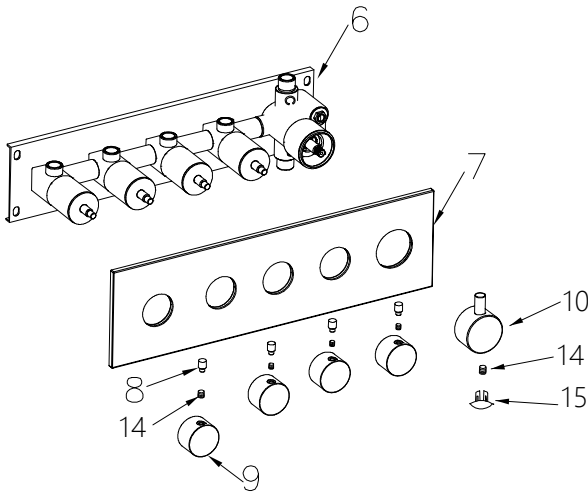
Contact Phone Number: (951) 213-4742  
Service Contact: [contactus24service@gmail.com](mailto:contactus24service@gmail.com)

# LUXURY SHOWER SET

## ◆ MAIN VALVE BODY INSTALLATION



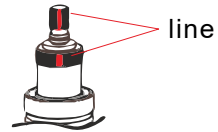
1. Make marks according to the size of the main body valve, and then drill anchors into the wall (concrete wall).
2. Lock the main body to wall directly with screws (wood wall).
3. When installing the main body, please install it the UP side up and do not install it upside down.



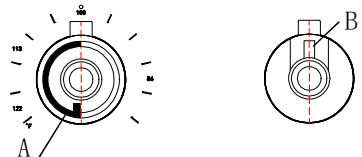
Install (7) Panel (10) Handle (15) cap (14) screw (9) diverter knob (8) diverter knob handle in the correct order.

### Precautions for the knob Installation

1. The line can't be uneven; it should be kept in line. Otherwise, the water temperature of 100°F will not be correct.



2. Please ensure that the plastic locating ring (A) and knob locating pin (B) are kept in the same line with 100°F. Otherwise, the water temperature will be incorrect.

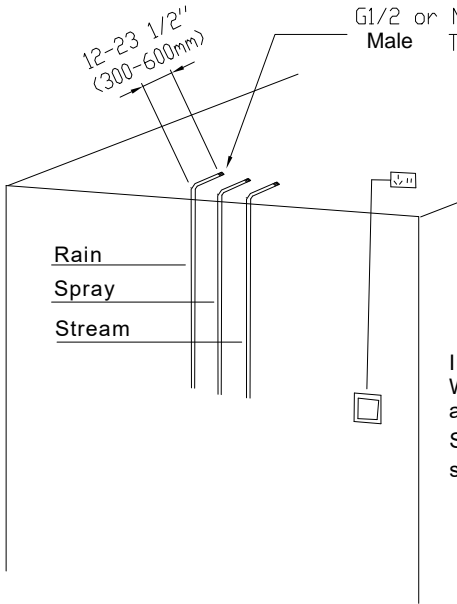


Right of product modification such as dimension without notice is reserved.

Contact Phone Number: (951) 213-4742  
Service Contact: contactus24service@gmail.com

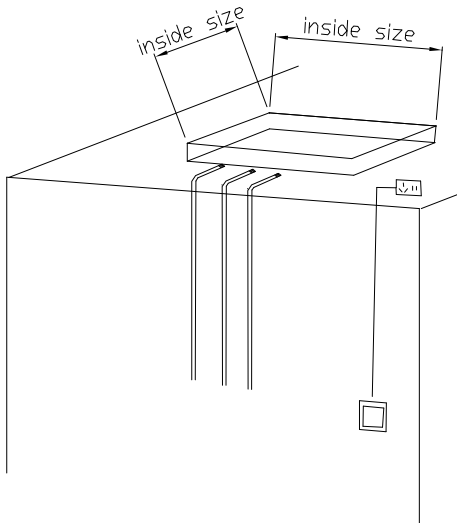
# LUXURY SHOWER SET

## ◆ Shower head power/water pipe-layout



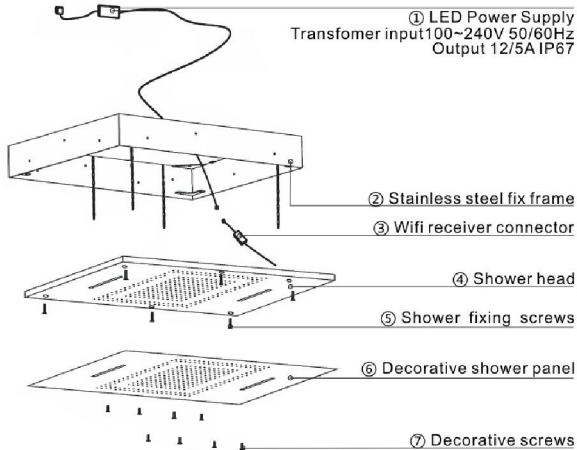
Install the power switch in the appropriate position  
Water pipes should be arranged according to the showerhead function  
Shower head inlet pipes need to be laid out, spray, stream and rain.

## ◆ Shower head hole dimensions



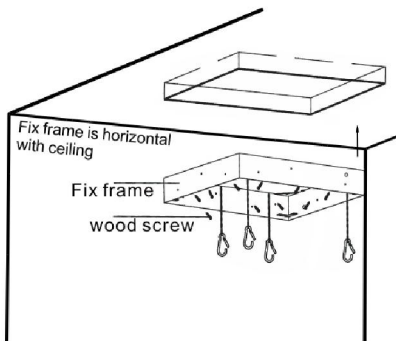
Shower head hole measurement:  
(15 1/8" - 27 3/4" )

## Shower head overview

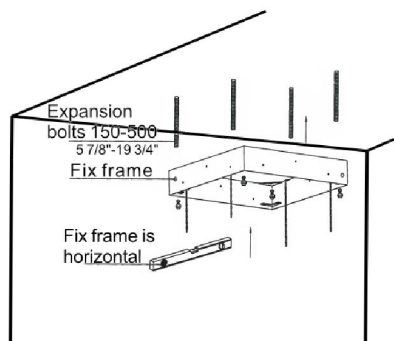


Respectively to unscrew ⑦ Decorative screws, separate ⑥ Decorative shower panel and ④ Shower head; Respectively to unscrew ⑤ Shower fixing screws, separate ④ Shower head and ② Stainless steel fix frame.

### ◆ Shower head installation fixed frame A:



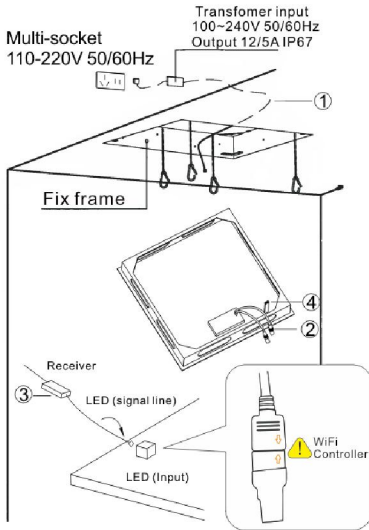
### ◆ Shower head installation fixed frame B:



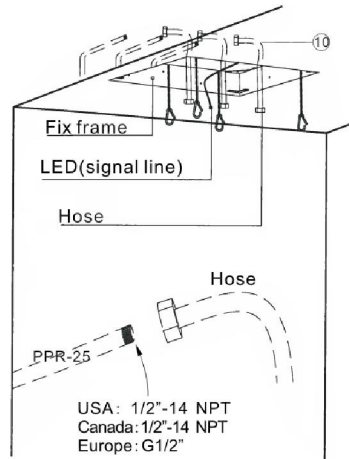
There are two methods to fix ② Stainless steel fix frame.  
A: Use screws to fix directly;  
B: Use of expansion bolts 150-500mm 5 7/8"-19 3/4".

# LUXURY SHOWER SET

## ◆ Layout for power



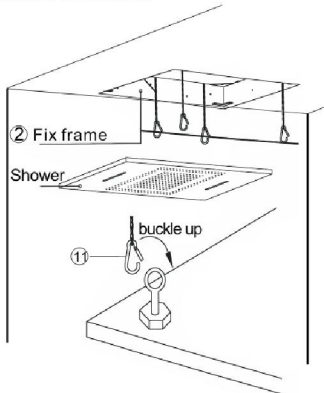
## ◆ Layout for water pipe



Connect ① LED Power Supply with ③ WiFi Receiver Connector and ② Shower Music Connector respectively; The Shower music connector has two connectors. Finally, connect the male connector of ③ WiFi receiver with the female connector of ② Shower head LED input. (Attention: the male connector is matched to the female connector each other, do not connect wrongly, otherwise it will cause damage to the receiver).

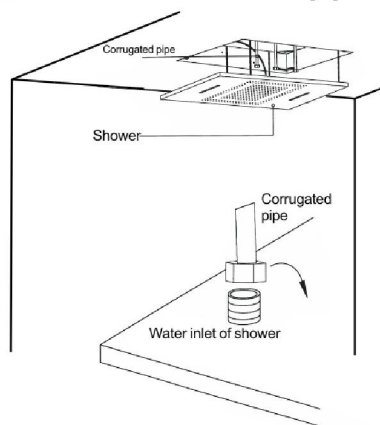
Connect one end of the three ① corrugated pipes with the embedded PPR water pipe respectively, the other end connect with the three water

## ◆ Install Shower



Hook ① Wires with a hook on ② Stainless steel fix frame, used to assist in easy installation of showerhead;

## ◆ Connect the water inlet pipe

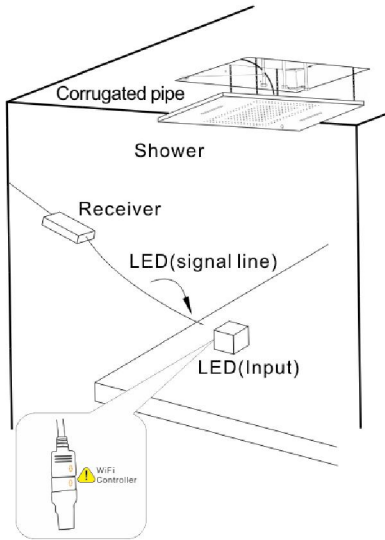


Right of product modification such as dimension without notice is reserved.

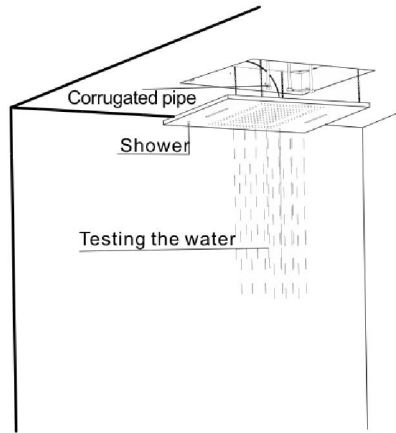
Contact Phone Number: (951) 213-4742  
Service Contact: contactus24service@gmail.com

# LUXURY SHOWER SET

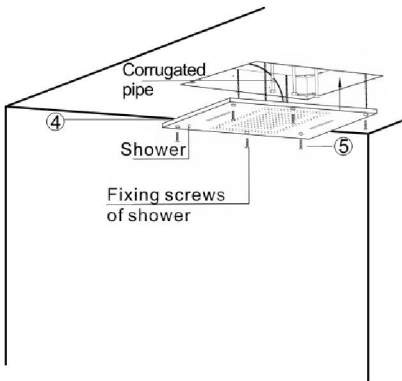
## ◆ Connect LED(signal line)



## ◆ Testing the water

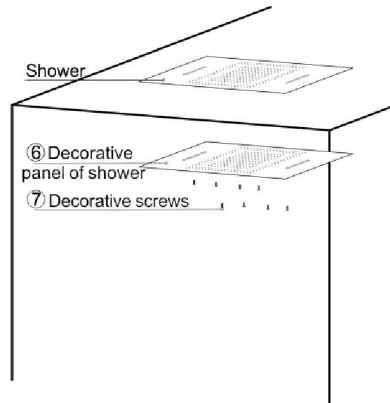


## ◆ Shower installation



⑤ Shower fixing screws are fitted with ④ Shower head.

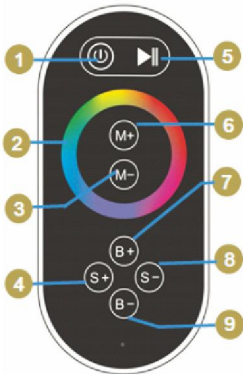
## ◆ Fix the decorative panel of shower



⑦ Decorative screws are fitted with ⑥ Decorative shower panel.

## ◆ Remote instruction:

**Main parameter:**  
**Panel controller:**  
 Working Temp.: -20~60  
 Supply Voltage: DC12-24V  
 Size: L50\*W35\*H23mm  
 115/16"\*16/16"\*14/16"  
 Output: 3Channel  
 Output Current: <2A(each channel)  
 Connection mode: common anode  
**Touch Remote:**  
 Working voltage: 1.5V\*3V  
 Emission current: 10mA  
 Working Current: 300uA  
 Standby Current: 3uA  
 Standby time: 6 mouths  
 Controldistance L20M  
 Color pulley point: 60



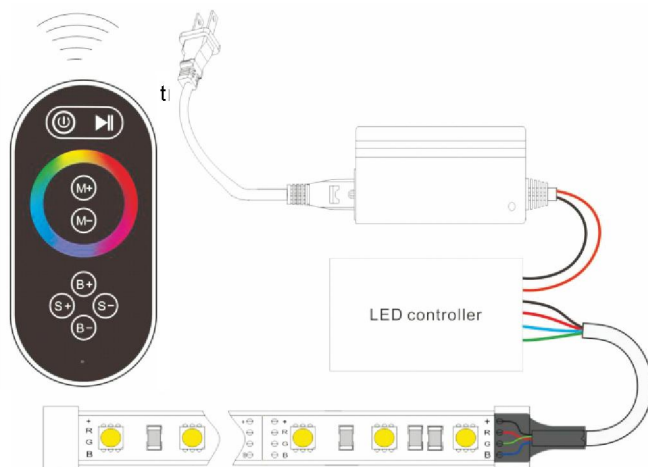
- ① ON/OFF
- ⑤ Mode Switch
- ② Color Touch Ring
- ③/⑥ Color Temperature adjusting
- ④/⑧ Dynamic Speed adjusting
- ⑦/⑨ Dynamic Brightness adjusting

1. Remote has 64 touch key, each key's function below: Pause on the dynamic mode, you can make the controller stop the current state now.
2. Power supply management: Stop to using the remote more than 20s, the remote will enter the standby mode, slightly shake once, then the remote will come back to the normal working mode
3. Indicator light instruction:
  - 3.1. The remote is idle or sent signal when the PWR is bright, PWR is off, then means the remote is in standby
  - 3.2. RF is bright, that means remote is sending signal, off means there is no signal sending

## ◆ USER MANUAL

Mode:

NO.	FUNCTION	REMOTE
1	Static red	Brightness is adjustable Speed is unadjustable
2	Static green	
3	Static blue	
4	Static purple	
5	Static blue-green	
6	Static yellow	
7	Static white	
8	R G B Jumping	Brightness is adjustable Speed is adjustable
9	R G B Gradual	
10	7-Colors Jumping	
11	7-Colors Gradual	

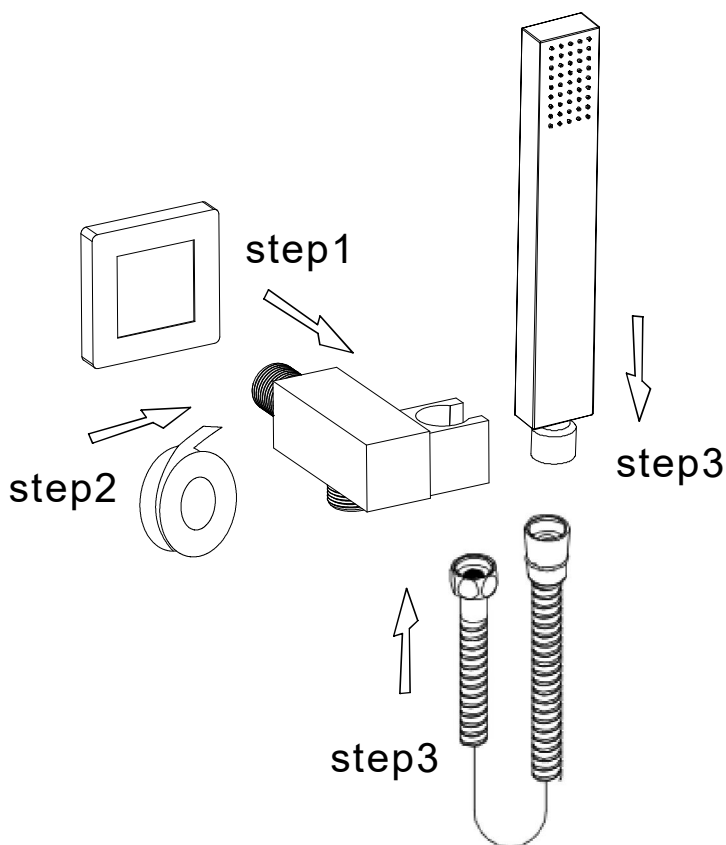


- 1.This product should be installed by qualified personnel.
- 2.This product is not waterproof, avoid rain and sunlight, if installed outdoors, please use waterproof box.
- 3.Good heat dissipation will extend the life of the LED controller, please install the product in a well-ventilated area.
- 4.Please do not install or use this product in lightning,thunder, strong magnetic or high voltage applications.
- 5.Please check whether the output voltage of the LED power supply used meets the product voltage range requirements.
- 6.The diameter of the wire used must be sufficient to load the connected LED luminaire,and ensure that the wiring is firm,to avoid the wire overheating or poor contact triggers an accident.
- 7.Before power-on debugging,ensure that all wiring is correct to avoid damage to the luminaire due to wiring errors.

Right of product modification such as dimension without notice is reserved.

Contact Phone Number:(951)213-4742  
Service Contact:contactus24service@gmail.com

## ◆ Install the hand shower



1. Wrap telon tape around the threads of the hand shower arm.
2. Screw the hand shower arm into the wall connection and tighten securely.
3. Connect one end of the shower hose to the hand shower and the opposite end to the hand shower arm, insert the hand shower into the hand shower arm bracket.

## Care and Maintenance

---

Rinse faucet with clean water and wipe with soft cotton cloth

Avoid using cleaning powders, harsh cleaning chemicals, coarse brushes, a cloth with an abrasive surface to prevent scratching and corrosion

Do not use an acidic cleaner to clean the faucet as it may cause surface corrosion on the faucet. If the faucet comes into contact with harmful acidic substances, please rinse it with water immediately.



### **If a large-scale clean-up is necessary, follow these procedures:**

- 1: Use clean water and a soft cloth to remove dirt on the surface.
2. Use one of the following cleaners to remove dirt on the surface: Mild liquid cleaner, colorless glass cleaner, powder cleaner which is not abrasive and can be dissolved completely and a polish liquid which is not abrasive.
- 3: After cleaning, remove the cleansing agent with clean water and wipe with soft cotton cloth.