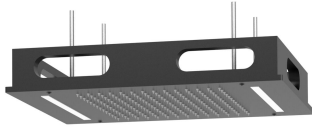


SHOWER FAUCET

Installation Manual



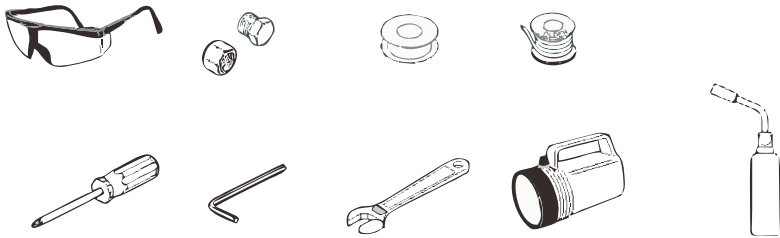
CA-A4371-BN/MB/CP/BG/MW/ORB

LUXURY SHOWER SET

◆ INSTALLATION

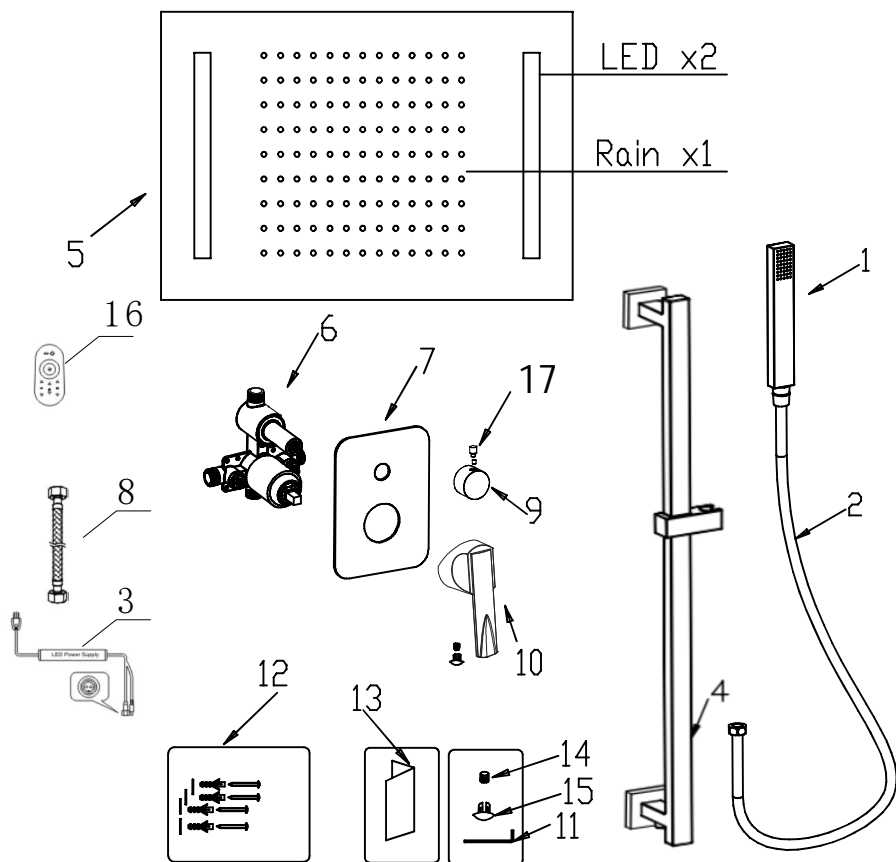
1. Refer to the «Standard Part List» when unpacking , check that all parts are present.
2. Do not disassemble the valve body.
3. Connect inlet hoses to the supply valves.
4. Make sure to flush out the supply lines to clear any possible debris before installation.
5. After installation , check all joints for possible leaks.

YOU MAY NEED:



LUXURY SHOWER SET

◆ PART LIST



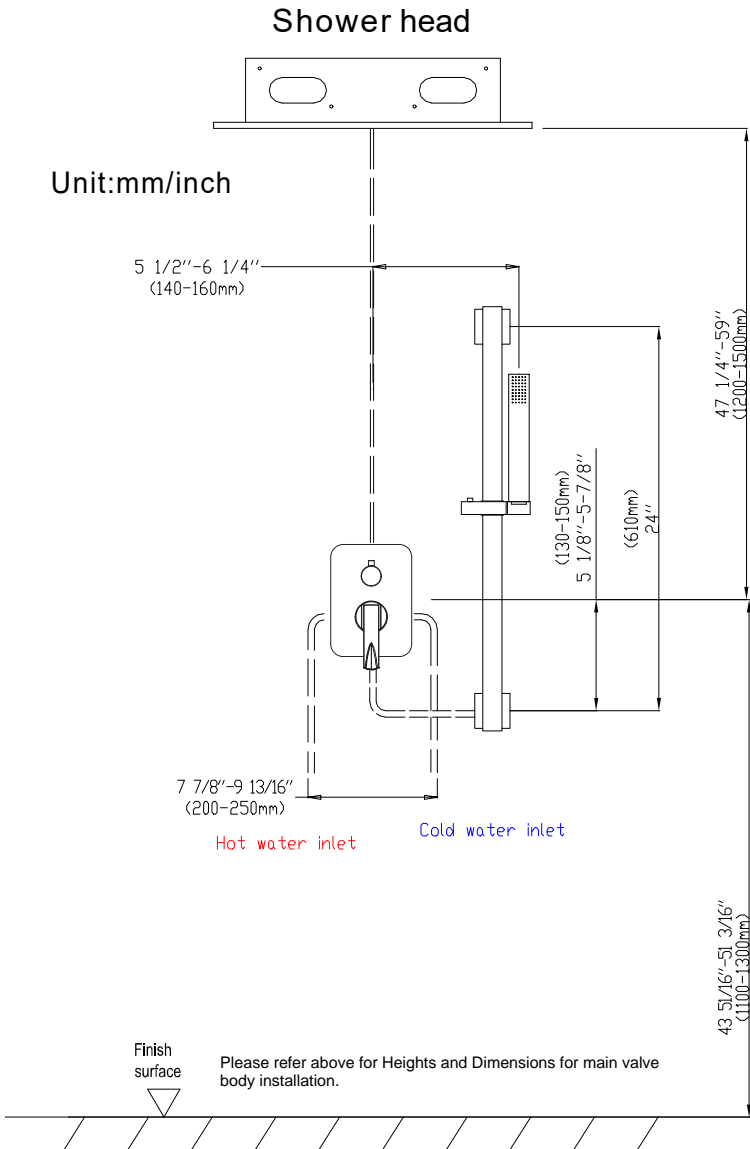
NO.	Part name	Qty	NO.	Part name	Qty	NO.	Part name	Qty
1	Hand shower	1	7	Trim plate	1	13	Manual	1
2	Shower hose	1	8	Flexible supply	1	14	Set screw	2
3	Power supply	1	9	Diverter knob	1	15	Knob screw cap	2
4	Slide bar	1	10	Temperature handle	1	16	Remote	1
5	Shower head	1	11	Allen wrench	1	17	Knob handles	1
6	Valve body	1	12	Anchor kit	1			

Right of product modification such as dimension without notice is reserved.

Contact Phone Number:(951)213-4742
Service Contact:contactus24service@gmail.com

LUXURY SHOWER SET

◆ INSTALLATION HEIGHTS AND DIMENSIONS

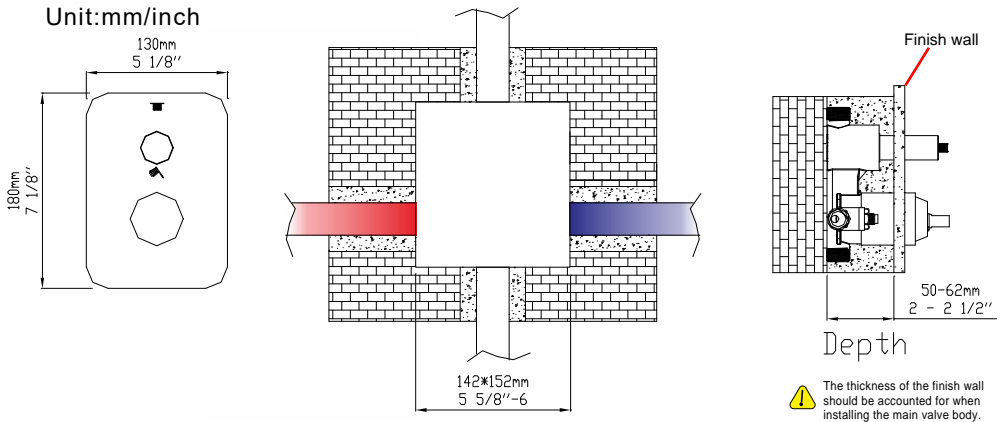


Right of product modification such as dimension without notice is reserved.

Contact Phone Number:(951)213-4742
Service Contact:contactus24service@gmail.com

LUXURY SHOWER SET

◆ INSTALLATION DEPTH OF THE MAIN VALVE BODY

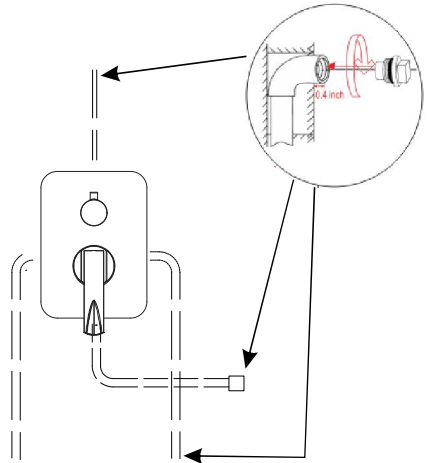


- 1.Including the thickness of the ceramic tile it is less than or equal to the thickness of valve 2 1/2" (62mm) so the thickness of tile must be calculated before installation.
2. Installation of the main valve body should be 1 15/16"(50mm)min and not more than 2 1/2" (62mm)Max, or the valve components will not fit properly or work correctly.
- 3.The hole size of the main body after tiling is smaller than the size of the panel.

◆ INSTALLATION WALL MOUNTED/ CEILING MOUNTED



Recommend using
copper drop ear 90 elbow(NPT1/2")

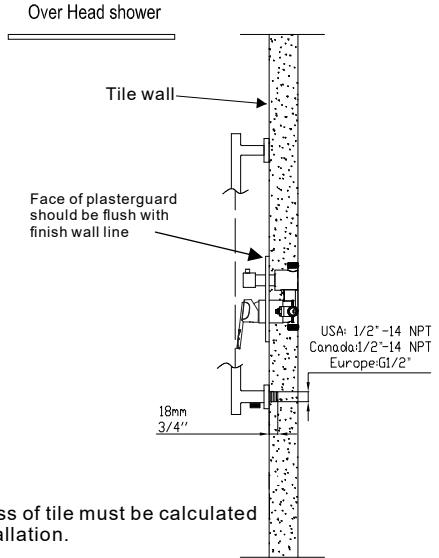


1:Recommend using Copper drop ear 90 elbow(NPT 1/2)
USA:1/14 NPT 2 -Canada:1/2"-14 NPT Europe:G1/2"

Right of product modification such as dimension without notice is reserved.

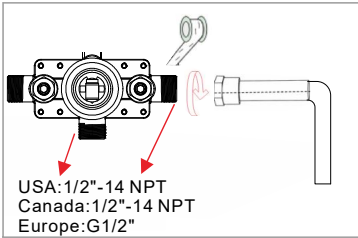
Contact Phone Number:(951)213-4742
Service Contact:contactus24service@gmail.com

◆ INSTALLATION DEPTH OF SHOWER HOLDER

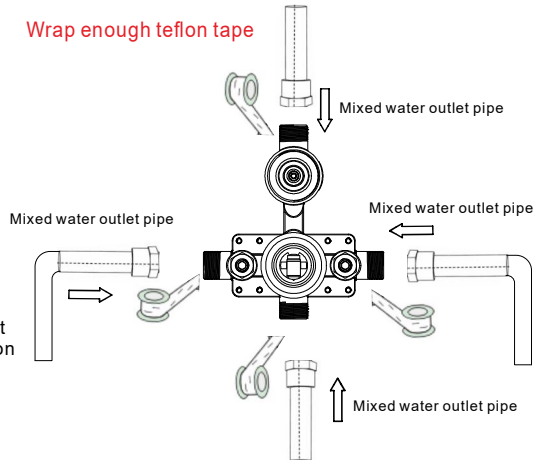


◆ MAIN BODY CONNECTING PIPE SCHEMATIC DIAGRAM

Warning: must install hot water and cold water inlet strictly as instructions



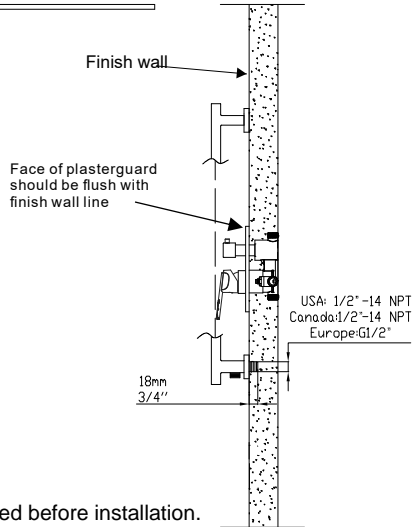
1. As shown in the figure, the inlet and outlet pipes are pre-buried, pay attention to the correct direction of installing the pre-buried main body, and make sure that the mark level on the top of the installation box is facing upward.
2. Install the hot and cold water inlet pipes, Shower head and hand shower holder body inlet pipes Turn on the water source to test whether the left and right inlet pipes are tightly connected without leakage. After the test, adjust the flow switch to be on to test whether the mixed outlet pipe. The connection is tight and there is no leakage.



LUXURY SHOWER SET


◆ INSTALLATION DEPTH OF THE SLIDEBAR

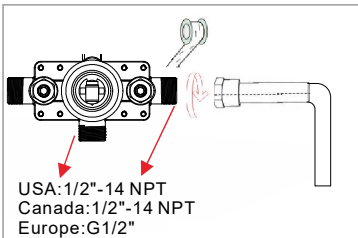
Shower head



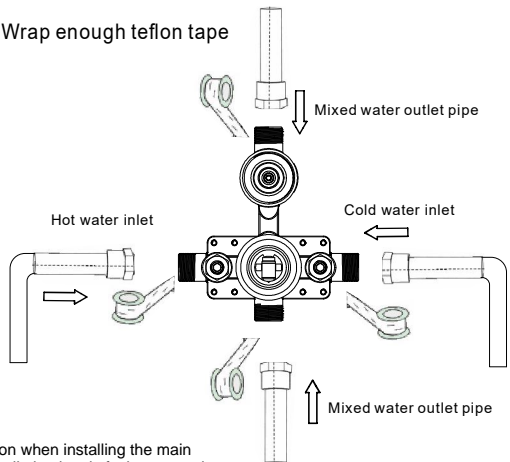
The thickness of the finish wall must be calculated before installation.

◆ MAIN VALVE BODY PIPING DIAGRAM

 Warning: pipe all water inlets and outlets as shown.



Wrap enough teflon tape



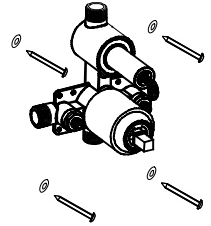
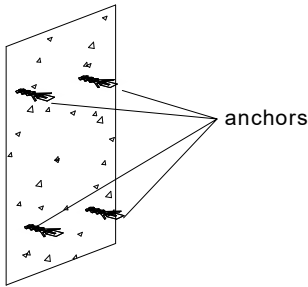
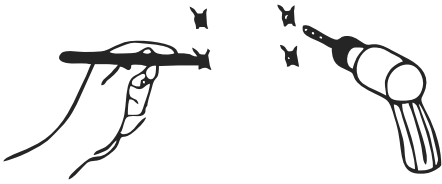
1. As shown in the image, pay attention to the correct direction when installing the main body, and make sure that the mark level on the top of the installation box is facing upward.
2. Install the hot and cold water inlet pipes, shower head and hand shower outlet pipes.
3. Turn on the water to test whether the left and right inlet pipes are tightly connected without leakage. After the test, adjust the flow switch to be on to test whether the mixed outlet pipe. The connection is tight and there is no leakage.

Right of product modification such as dimension without notice is reserved.

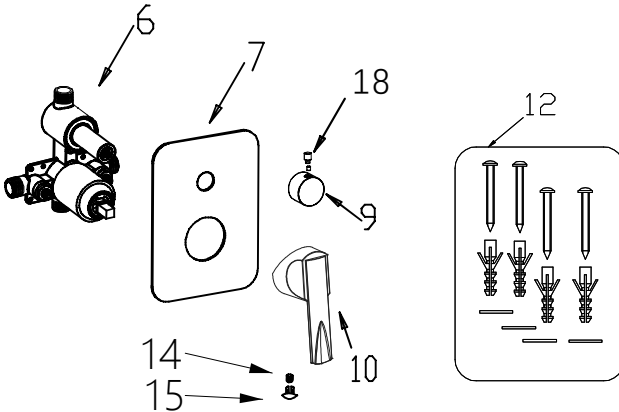
Contact Phone Number: (951) 213-4742
Service Contact: contactus24service@gmail.com

LUXURY SHOWER SET

◆ MAIN VALVE BODY INSTALLATION



1. Make marks according to the size of the main body valve, and then drill anchors into the wall (concrete wall).
2. Lock the main body to wood directly with screws (wood wall).
3. When installing the main body, please install the UP side up and do not install it upside down.



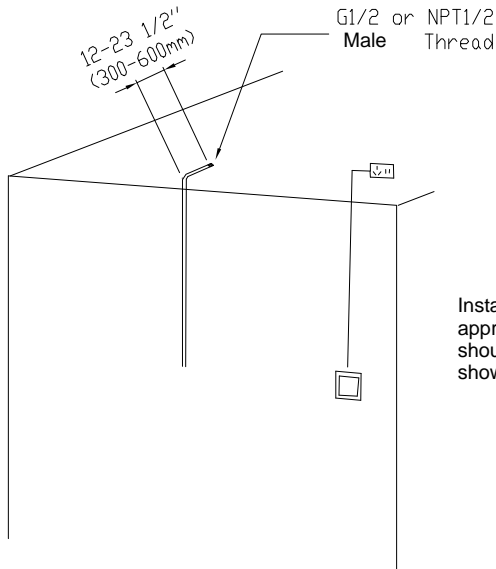
install (7) Panel (10) Handle (15) color button and (14) screw (18) Knob handles (9) Water diverter in the correct order.

Right of product modification such as dimension without notice is reserved.

Contact Phone Number: (951) 213-4742
Service Contact: contactus24service@gmail.com

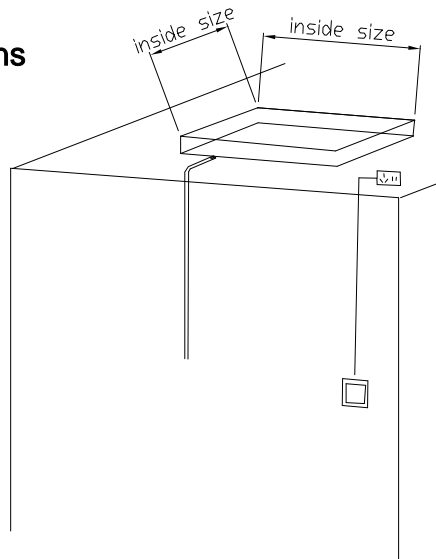
LUXURY SHOWER SET

◆ Shower head power/water pipe-layout



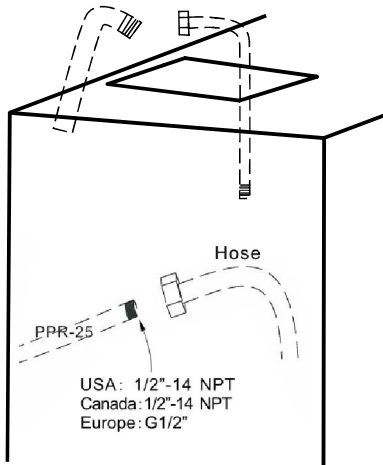
◆ Shower head hole dimensions

Shower head hole measurement:
(14"-19 7/8")



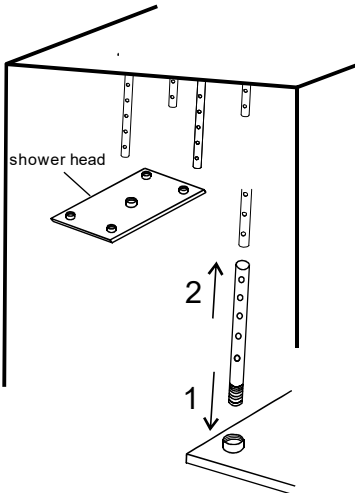
LUXURY SHOWER SET

◆ Layout for water pipe



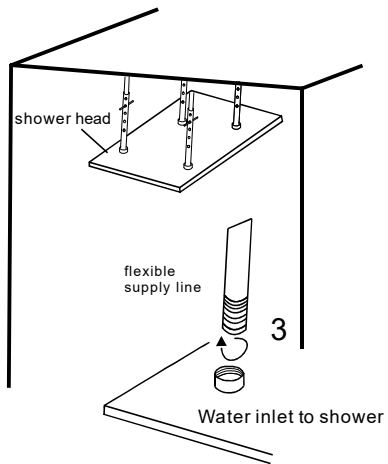
Connect one end of the flexible supply line with the embedded water line and the other end connect with the Tee fitting.

◆ Install Shower head



1. Install the extension tube into the shower.
2. Insert the extension tube into the bracket rod.
3. Install the water inlet pipe into the shower.

◆ Connect the water inlet pipe

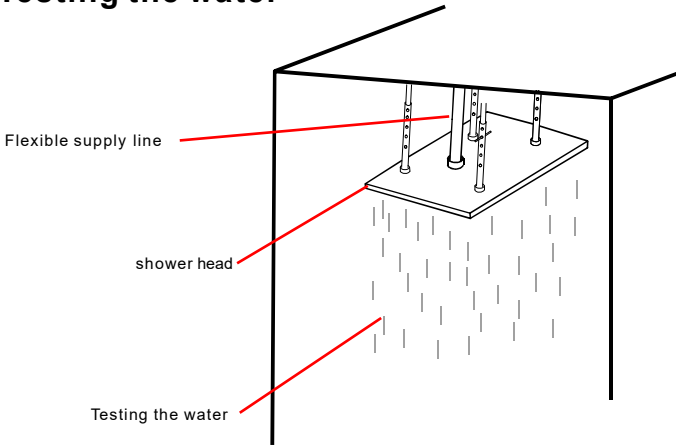


Right of product modification such as dimension without notice is reserved.

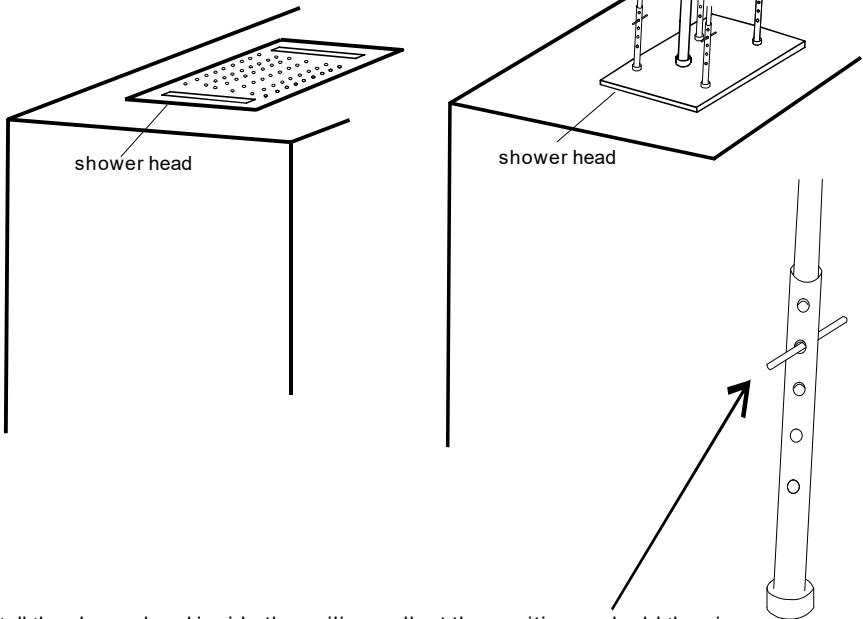
Contact Phone Number:(951)213-4742
Service Contact:contactus24service@gmail.com

LUXURY SHOWER SET

◆ Testing the water



◆ Shower head installation



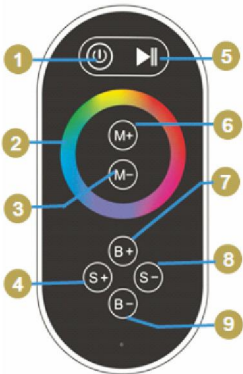
Install the shower head inside the ceiling, adjust the position and add the pins

Right of product modification such as dimension without notice is reserved.

Contact Phone Number:(951)213-4742
Service Contact:contactus24service@gmail.com

◆ Remote instruction:

Main parameter:
Panel controller:
 Working Temp.: -20~60
 Supply Voltage: DC12-24V
 Size: L50*W35*H23mm
 115/16"*16/16"*14/16"
 Output: 3Channel
 Output Current: <2A(each channel)
 Connection mode: common anode
Touch Remote:
 Working voltage: 1.5V*3V
 Emission current: 10mA
 Working Current: 300uA
 Standby Current: 3uA
 Standby time: 6 months
 Control distance: L20M
 Color pulley point: 60



- ① ON/OFF
- ⑤ Mode Switch
- ② Color Ring
- ③/⑥ Color Temperature adjusting
- ④/⑧ Dynamic Speed adjusting
- ⑦/⑨ Dynamic Brightness adjusting

1. Remote has 64 keys, each keys function is below: Pause on the dynamic mode, you can make the controller stop the current mode now.
2. Power supply management: Stop to using the remote more than 20s, the remote will enter the standby mode, slightly shake once, then the remote will come back to the normal working mode
3. Indicator light instruction:
 - 3.1. The remote is idle or sent signal when the PWR light, PWR is off, means the remote is in standby.
 - 3.2. RF light is bright, that means remote is sending signal. off means there is no signal sending.

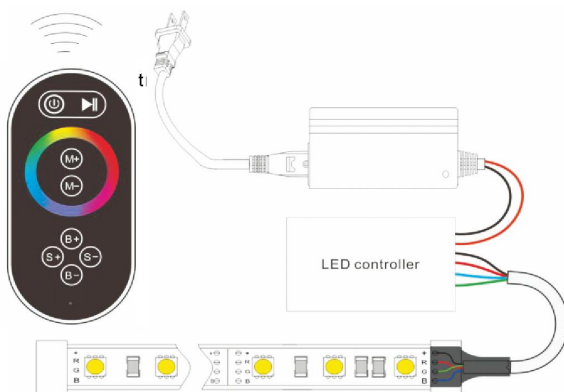
Right of product modification such as dimension without notice is reserved.

Contact Phone Number: (951) 213-4742 Service
 Contact: contactus24service@gmail.com

◆ USER MANUAL

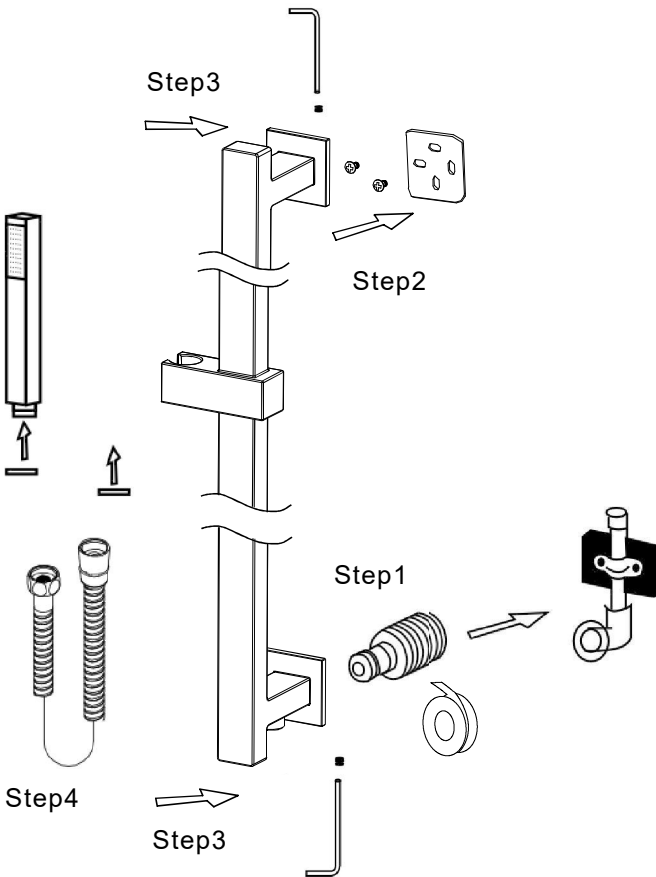
Mode:

NO.	FUNCTION	REMOTE
1	Static red	Brightness is adjustable Speed is unadjustable
2	Static green	
3	Static blue	
4	Static purple	
5	Static blue-green	
6	Static yellow	
7	Static white	
8	R G B Jumping	Brightness is adjustable Speed is adjustable
9	R G B Gradual	
10	7-Colors Jumping	
11	7-Colors Gradual	



1. This product should be installed by qualified personnel.
2. This product is not waterproof, avoid rain and sunlight, if installed outdoors, please use waterproof box.
3. Good heat dissipation will extend the life of the LED controller, please install the product in a well-ventilated area.
4. Please do not install or use this product in lightning, thunder, strong magnetic or high voltage applications.
5. Please check whether the output voltage of the LED power supply used meets the product voltage range requirements.
6. The diameter of the wire used must be sufficient to load the connected LED luminaire, and ensure that the wiring is firm, to avoid the wire overheating or poor contact triggers an accident.
7. Before power-on debugging, ensure that all wiring is correct to avoid damage to the luminaire due to wiring errors.

◆ Install the slide bar



Step1 .Wrap the threads with teflon tape, then screw the adapter into the wall connection.

Step2.Screw the mounting plate onto the wall.

Step3.Screw the main body into the thread.

Step4.Secure the slide bar with the Allen wrench

Step5.Connect the hand shower and hose.

Care and Maintenance

Rinse faucet with clean water and wipe with soft cotton cloth.

Avoid using cleaning powders, harsh cleaning chemicals, coarse brushes, a cloth with an abrasive surface to prevent scratching and corrosion.

Do not use an acidic cleaner to clean the faucet as it may cause surface corrosion on the faucet. If the faucet comes into contact with harmful acidic substances, please rinse it with water immediately.



If a large-scale clean-up is necessary, follow these procedures:

- 1: Use clean water and a soft cloth to remove dirt on the surface.
2. Use one of the following cleaners to remove dirt on the surface: Mild liquid cleaner, colorless glass cleaner, powder cleaner which is not abrasive and can be dissolved completely and a polish liquid which is not abrasive.
- 3: After cleaning, remove the cleansing agent with clean water and wipe with soft cotton cloth.