

SHOWER FAUCET

Installation Manual



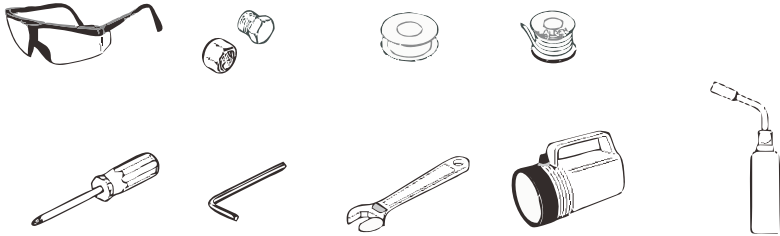
CA-A4351-BN/MB/CP/BG/MW/ORB

LUXURY SHOWER SET

◆ INSTALLATION

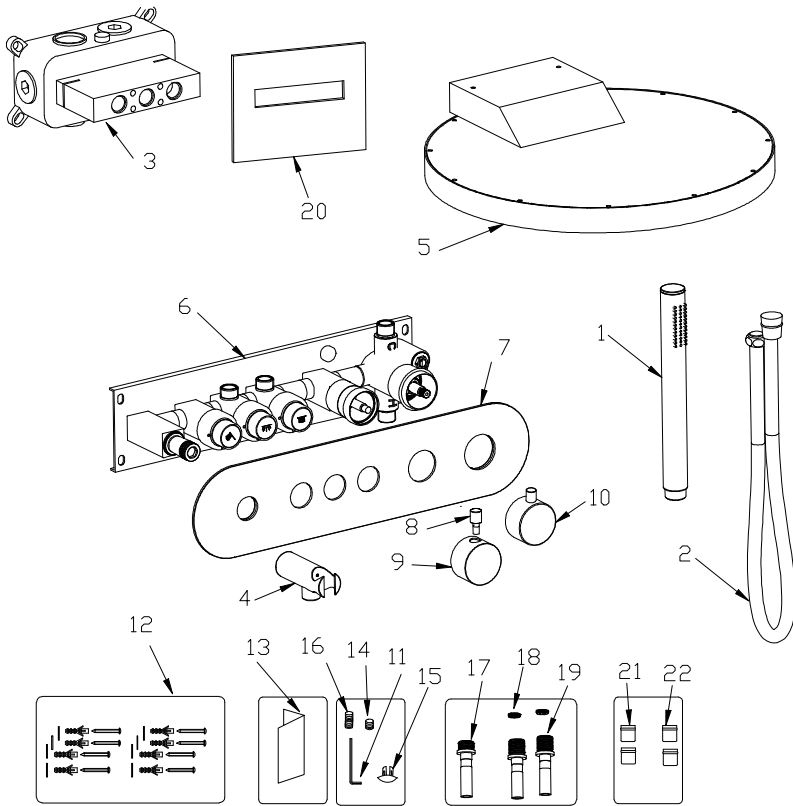
1. Refer to the «Standard Part List» when unpacking , check that all parts are present.
2. Do not disassemble the valve body.
3. Connect inlet hoses to the supply valves.
4. Make sure to flush out the supply lines to clear any possible debris before installation.
5. After installation , check all joints for possible leaks.

YOU MAY NEED:



LUXURY SHOWER SET

◆ PART LIST



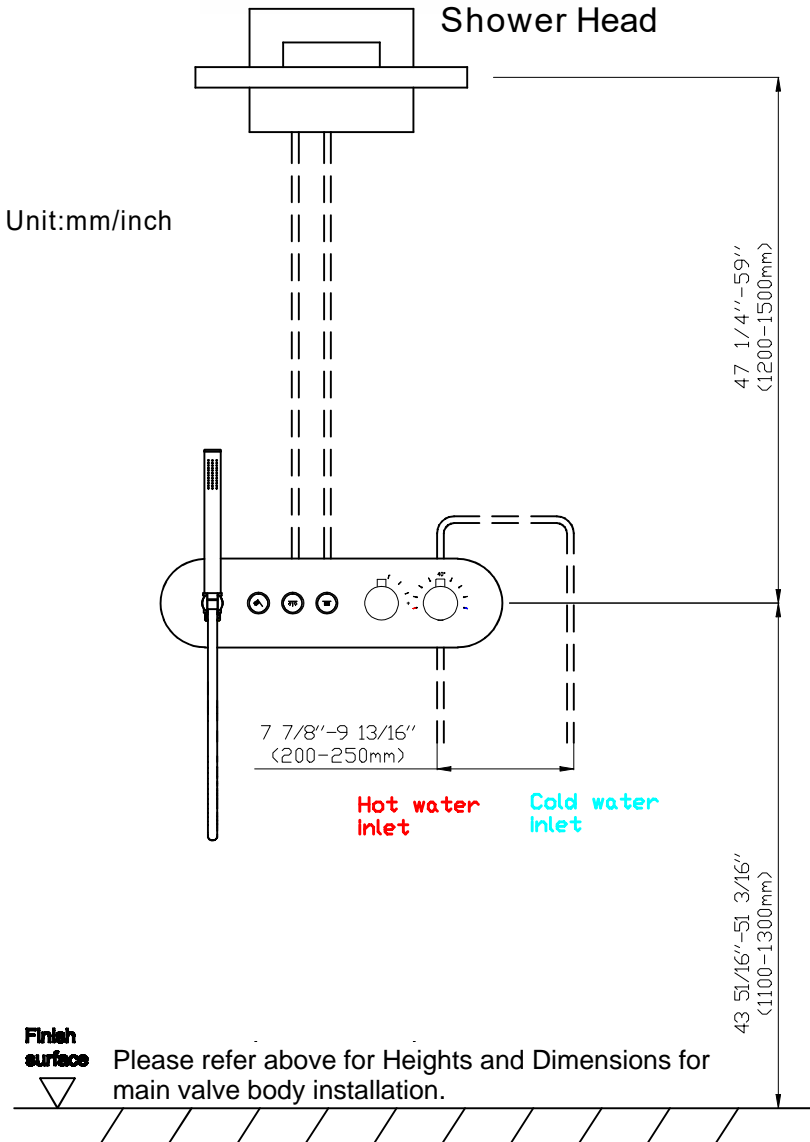
NO.	Part name	Qty	NO.	Part name	Qty	NO.	Part name	Qty
1	Hand Shower	1	9	On/Off knob	1	17	Adapter	1
2	Shower hose	1	10	Thermostat knob	1	18	Cap	2
3	Shower head embedded box	1	11	Allen wrench	1	19	Adapter	2
4	Hand shower arm	1	12	Anchor kit	1	20	Shower head trim plate	1
5	Shower head	1	13	Manual	1	21	Plug	2
6	Main valve body	1	14	Short set screw	1	22	Plug	2
7	Valve trim panel	1	15	Knob screw plug	2			
8	Knob handle	1	16	Long set screw	1			

Right of product modification such as dimension without notice is reserved.

Contact Phone Number:(951)213-4742
Service Contact:contactus24service@gmail.com

LUXURY SHOWER SET

◆ INSTALLATION HEIGHTS AND DIMENSIONS



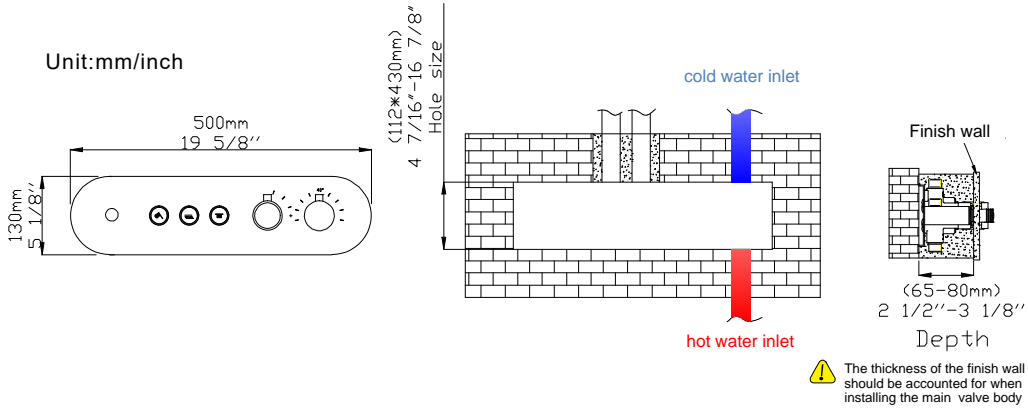
Right of product modification such as dimension without notice is reserved.

Contact Phone Number:(951)213-4742

Service Contact:contactus24service@gmail.com

LUXURY SHOWER SET

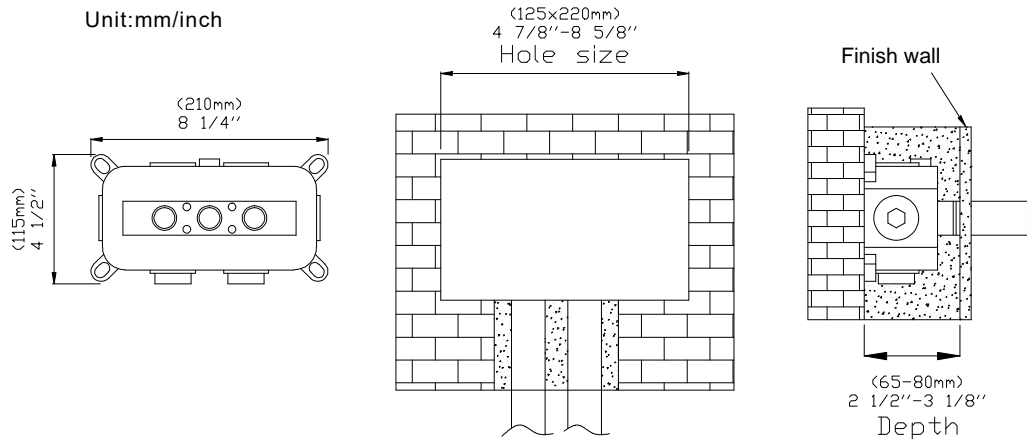
◆ INSTALLATION DEPTH OF THE MAIN VALVE BODY



1. Including the thickness of the ceramic tile it is less than or equal to the thickness of valve 3 1/8" (80mm) so the thickness of tile must be calculated before installation.
2. Installation of the main valve body should be 2 1/2" (65mm) min and not more than 3 1/8" (80mm) Max, or the valve components will not fit properly or work correctly.
3. The hole size of the main body after tiling is smaller than the size of the panel.

◆ INSTALLATION OF THE SHOWER HEAD EMBEDDED BOX

Unit:mm/inch



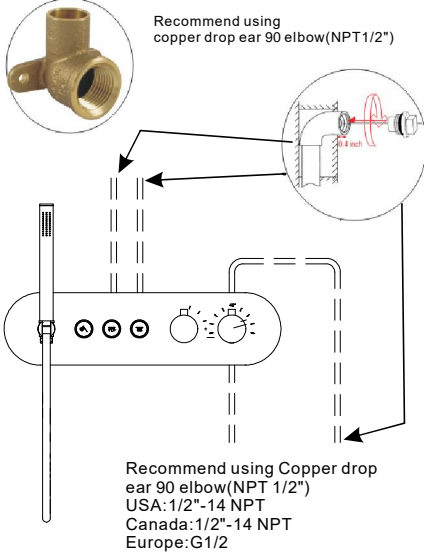
1. Including the thickness of the ceramic tile it is less than or equal to the thickness of valve 3 1/8" (80mm) so the thickness of tile must be calculated before installation.
2. Installation of the main valve body should be 2 1/2" (65mm) min and not more than 3 1/8" (80mm) Max, or the valve components will not fit properly or work correctly.
3. The hole size of the main body after tiling is smaller than the size of the panel.

Right of product modification such as dimension without notice is reserved.

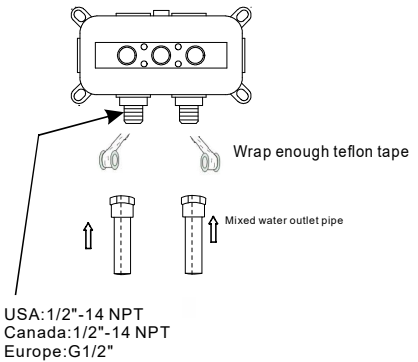
Contact Phone Number:(951)213-4742
Service Contact:contactus24service@gmail.com

LUXURY SHOWER SET


◆ WALL MOUNTED/CEILING MOUNTED INSTALLATION

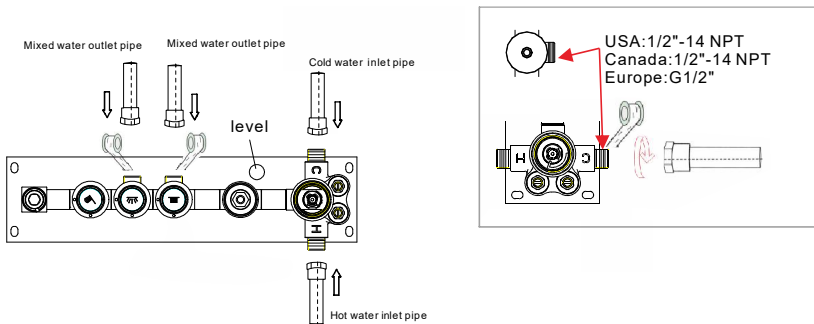


◆ SHOWER HEAD EMBEDDED BOX PIPE CONNECTION



◆ MAIN BODY PIPE CONNECTION DIAGRAM

 Warning: pipe all water inlets and outlets as shown.



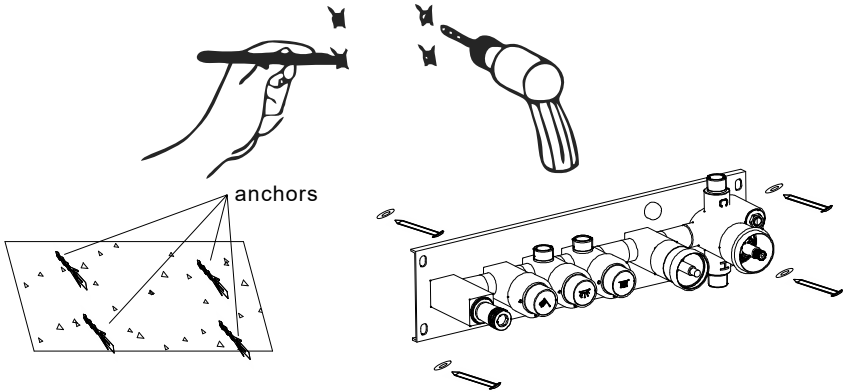
1. As shown in the image, pay attention to the correct direction when installing the main body, and make sure that the mark level on the top of the installation box is facing upward.
2. Install the hot and cold water inlet pipes, shower head, hand shower and body jet outlet pipes.
3. Turn on the water to test whether the left and right inlet pipes are tightly connected without leakage. After the test, adjust the flow switch to be on to test the mixed outlet pipe connection is tight and there is no leakage.

Right of product modification such as dimension without notice is reserved.

Contact Phone Number:(951)213-4742
 Service Contact:contactus24service@gmail.com

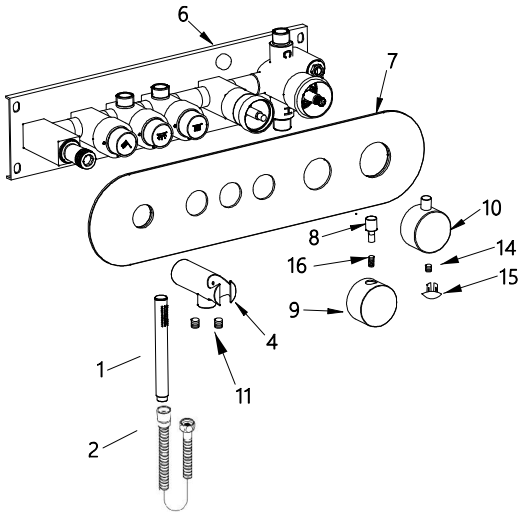
LUXURY SHOWER SET

◆ MAIN VALVE BODY INSTALLATION



1. Concrete wall: Make marks at the mounting hole locations on the valve body, next drill out the marks and place the plastic anchors into the holes, lastly secure the valve body to the wall with the anchor screws.
2. Wood wall: Make marks at the mounting hole locations on the valve body, lastly secure the valve body to the wall with corrosion resistant screws.

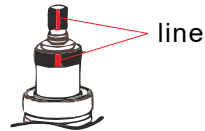
Note: For proper installation of the valve body, it needs to be level to the wall it is being installed.



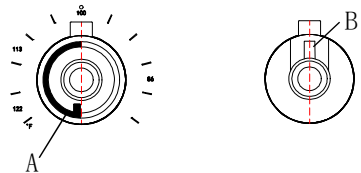
Install (7) Panel (10) thermostat knob (4) hand shower arm (16) screw-long (15) knob screw plug (14) screw-short (9) diverter knob (8) Water diverter handle in the correct order.

Precautions for the knob Installation

1. The line can't be uneven; it should be kept in line. Otherwise, the water temperature of 100°F will not be correct.



2. Please ensure that the plastic locating ring (A) and knob locating pin (B) are kept in the same line with 100°F otherwise, the water temperature will be incorrect.

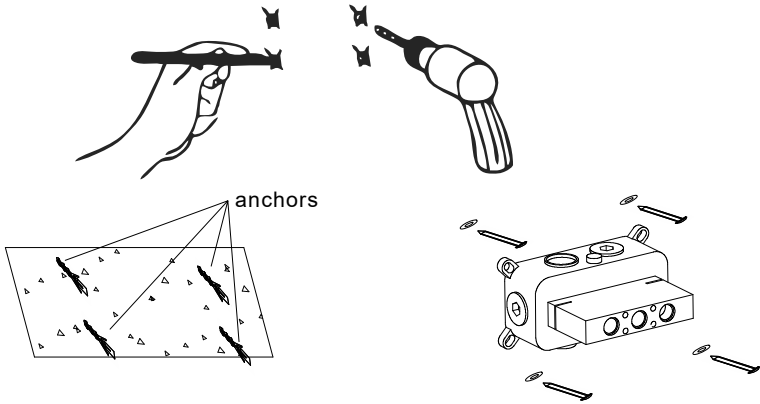


Right of product modification such as dimension without notice is reserved.

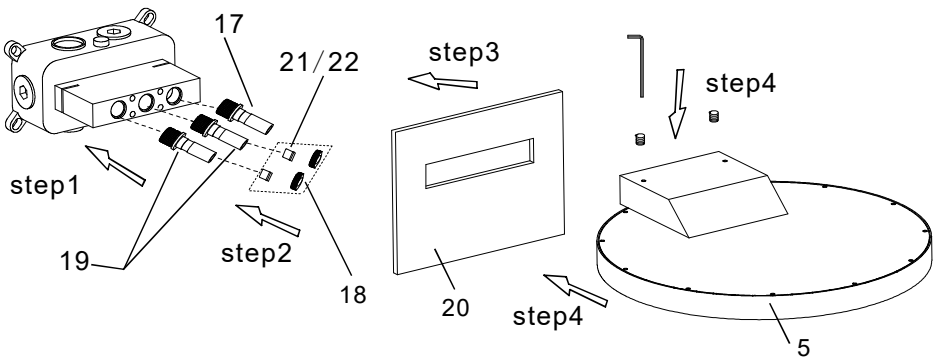
Contact Phone Number: (951) 213-4742
Service Contact: contactus24service@gmail.com

LUXURY SHOWER SET

◆ INSTALLATION OF RAIN SHOWER HEAD



1. Concrete wall: Make marks at the mounting hole locations on the valve body, next drill out the marks and place the plastic anchors into the holes, lastly secure the valve body to the wall with the anchor screws.
 2. Wood wall: Make marks at the mounting hole locations on the valve body, lastly secure the valve body to the wall with corrosion resistant screws.
- Note: For proper installation of the valve body, it needs to be level to the wall it is being installed.



1. Install the (19)Copper joint and (17)Stell joint into the embedded box and ensure that the hole position is not mistaken
2. Install the (21/22) restrictor and Fix it with (18)nuts (according to the customer's needs)
3. Insert the (20)shower head cup into the embedded box
4. Insert the (5) shower head body into the connecting rod and fix it with screws

Right of product modification such as dimension without notice is reserved.

Contact Phone Number:(951)213-4742
Service Contact:contactus24service@gmail.com

Care and Maintenance

Rinse faucet with clean water and wipe with soft cotton cloth

Avoid using cleaning powders, harsh cleaning chemicals, coarse brushes, a cloth with an abrasive surface to prevent scratching and corrosion

Do not use an acidic cleaner to clean the faucet as it may cause surface corrosion on the faucet. If the faucet comes into contact with harmful acidic substances, please rinse it with water immediately.



If a large-scale clean-up is necessary, follow these procedures:

- 1: Use clean water and a soft cloth to remove dirt on the surface.
2. Use one of the following cleaners to remove dirt on the surface: Mild liquid cleaner, colorless glass cleaner, powder cleaner which is not abrasive and can be dissolved completely and a polish liquid which is not abrasive.
- 3: After cleaning, remove the cleansing agent with clean water and wipe with soft cotton cloth.