

SHOWER FAUCET

Installation Manual



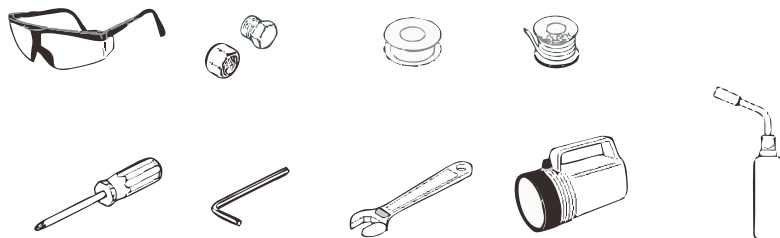
CA-A4346-BN/MB/CP/BG/MW/ORB

LUXURY SHOWER SET

◆ INSTALLATION

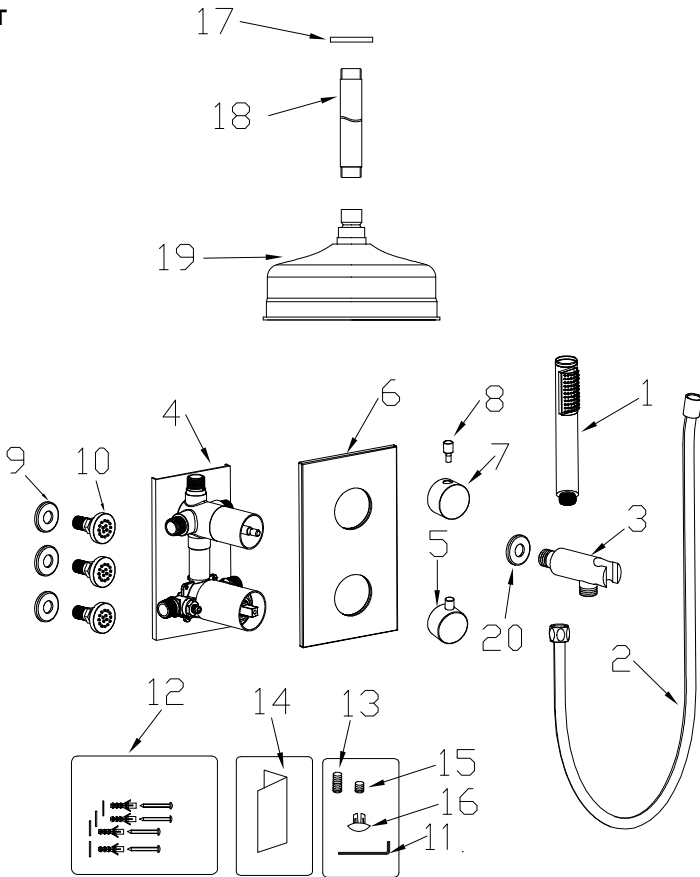
1. Refer to the «Standard Part List» when unpacking , check that all parts are present.
2. Do not disassemble the valve body.
3. Connect inlet hoses to the supply valves.
4. Make sure to flush out the supply lines to clear any possible debris before installation.
5. After installation , check all joints for possible leaks.

YOU MAY NEED:



LUXURY SHOWER SET

◆ PART LIST



NO.	Part name	Qty	NO.	Part name	Qty	NO.	Part name	Qty
1	Hand shower	1	8	knob handle	1	15	Short screw set	1
2	Shower hose	1	9	Body jet escutcheon	3	16	Knob screw cap	1
3	Mounting bracket	1	10	Body jets	3	17	Shower arm escutcheon	1
4	Valve body	1	11	Allen wrench	1	18	Shower arm	1
5	Tempreture knob	1	12	Anchor kit	1	19	Shower head	1
6	Trim plate	1	13	Long screw set	1	20	Hand shower escutcheon	1
7	Diverter knob	1	14	Manual	1			

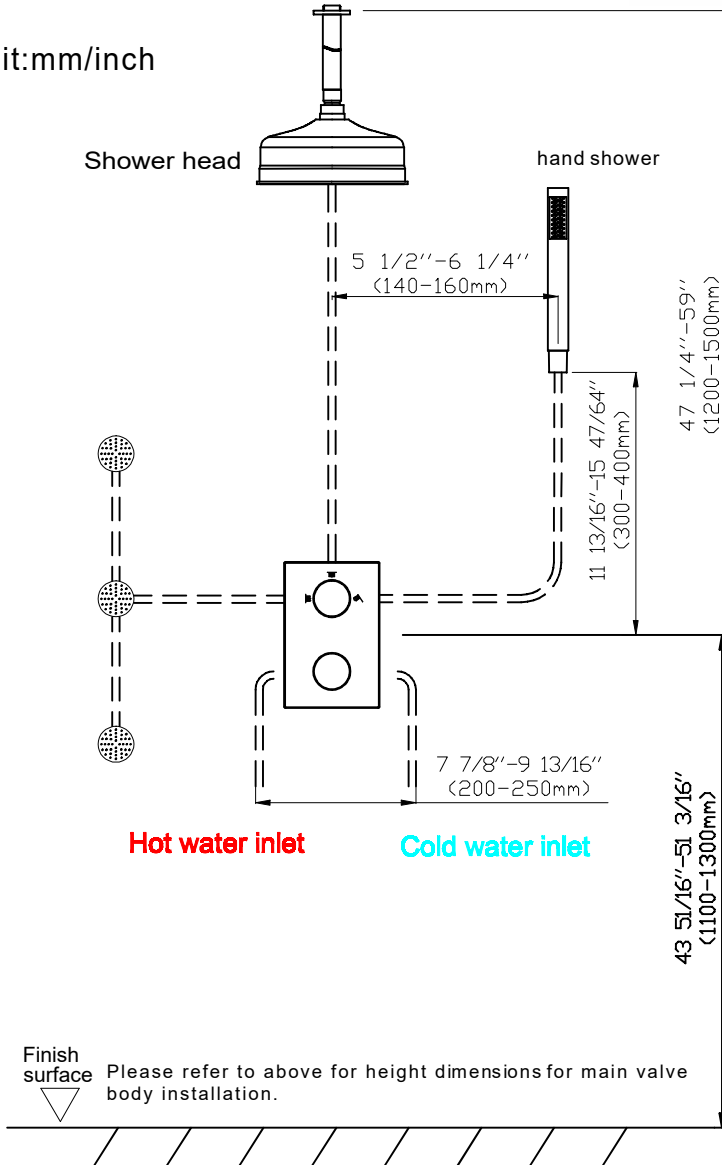
Right of product modification such as dimension without notice is reserved.

Contact Phone Number:(951)213-4742
Service Contact:contactus24service@gmail.com

LUXURY SHOWER SET

◆ INSTALLATION HEIGHTS AND DIMENSIONS

Unit:mm/inch



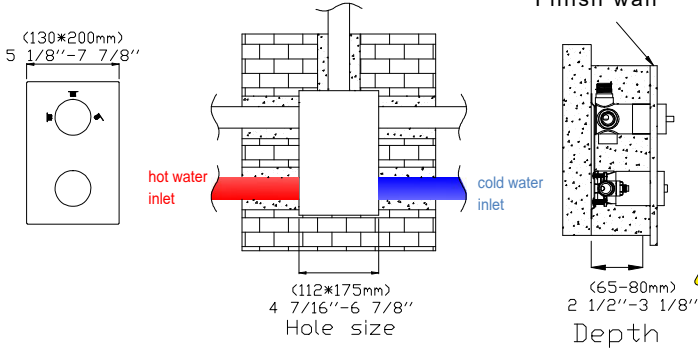
Right of product modification such as dimension without notice is reserved.

Contact Phone Number:(951)213-4742
Service Contact:contactus24service@gmail.com

LUXURY SHOWER SET

◆ INSTALLATION DEPTH OF MAIN VALVE BODY

Unit:mm/inch

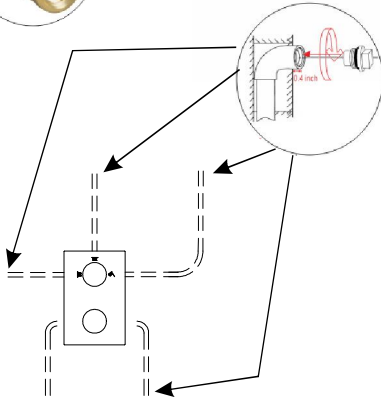


1. Including the thickness of ceramic, the tile is less than or equal to the thickness of valve 3 1/8"(80mm) so the thickness of tile must be calculated before installation.
2. Installation of the main valve body depth should be 2 1/2" (65mm)min and not more than 3 1/8"(80mm)Max, or the valve components will not fit properly.
3. The hole size of the main body after tiling is smaller than the size of the panel

◆ INSTALLATION WALL MOUNTED/CEILING MOUNTED

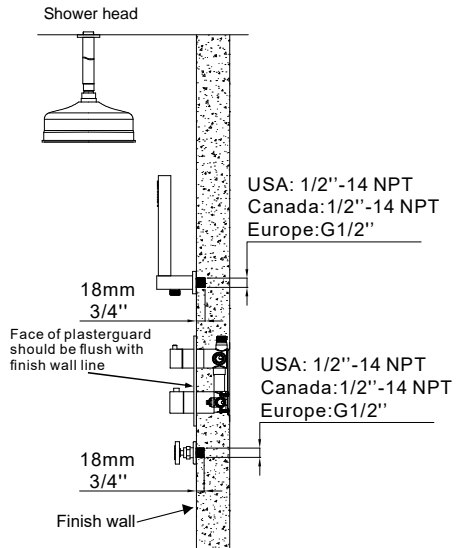


Recommended to use copper 90 drop ear elbow (NPT1/2")



- 1: Recommend using Copper drop ear pipe elbow(NPT 1/2)
USA: 1/14 NPT 2 -Canada: 1/2"-14 NPT Europe: G1/2"

◆ INSTALLATION DEPTH OF SHOWER ARM & HAND SHOWER BODY & BODY JET



The thickness of finish wall must be calculated before installation.

Right of product modification such as dimension without notice is reserved.

Contact Phone Number:(951)213-4742
Service Contact:contactus24service@gmail.com

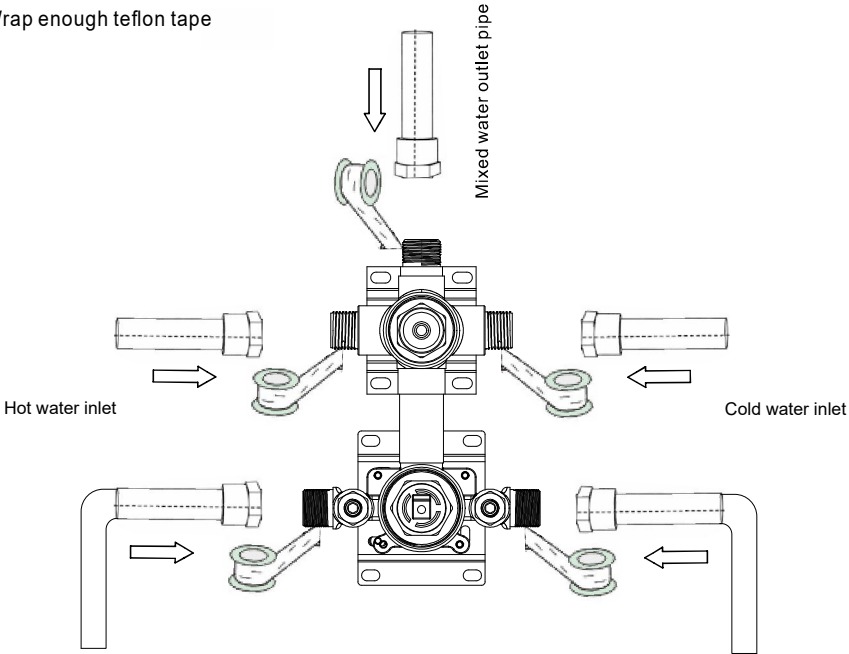
LUXURY SHOWER SET

◆ MAIN VALVE BODY PIPING DIAGRAM

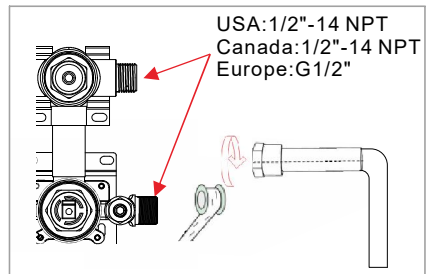


Warning: Pipe all water inlets and outlets as shown.

Wrap enough teflon tape



1. As shown in the image, pay attention to the correct direction of installing the main body, and make sure that the mark level on the top of the installation box is facing upward.
2. Install the hot and cold water inlet pipes, shower head and hand shower outlet pipes.
3. Turn on the water source to test whether the left and right inlet pipes are tightly connected without leakage. After the test, adjust the flow switch to be on to test whether the mixed outlet pipe. The connection is tight and there is no leakage.

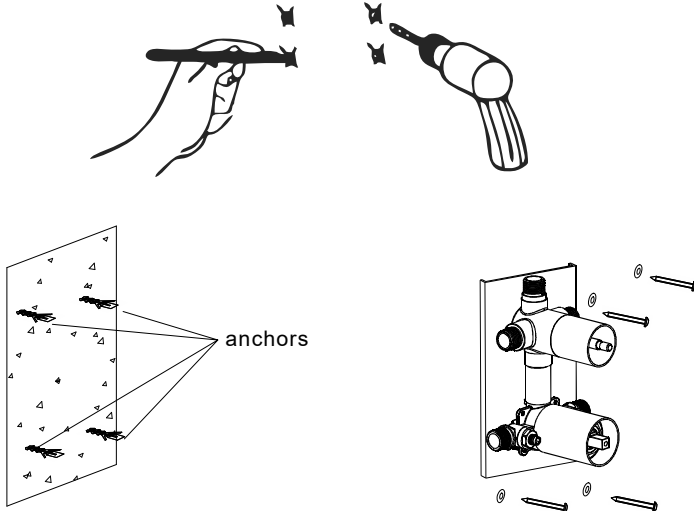


Right of product modification such as dimension without notice is reserved.

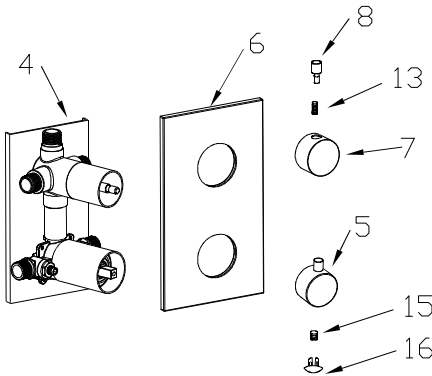
Contact Phone Number: (951) 213-4742
Service Contact: contactus24service@gmail.com

LUXURY SHOWER SET

◆ MAIN VALVE BODY INSTALLATION



1. Make marks according to the size of the main body valve, and then drill anchors into the wall (concrete wall).
2. Lock the main body to wood directly with screws (wood wall).
3. When installing the main body, please install the UP side up and do not install it upside down



install (8)diverter handle(7)diverter knob (13)long screw set (5) knob (16) knob screw cap and (15) short screw set in the correct order.

Precautions for Knob Installation

*1. The line can't be uneven; it should be kept in line. Otherwise, the water temperature of 100°F will not be correct



*2. Please ensure that the plastic locating ring (A) and knob locating pin (B) are kept in the same line with 100°F. Otherwise, the water temperature will be incorrect.

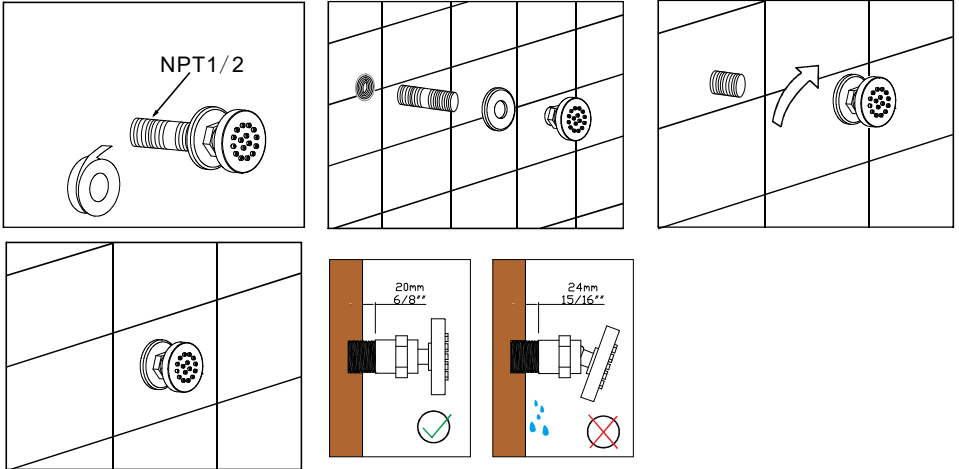


Right of product modification such as dimension without notice is reserved.

Contact Phone Number:(951)213-4742
Service Contact:contactus24service@gmail.com

LUXURY SHOWER SET

◆ Body jet installation



Step 1: Wrap the threads of the 1/2" nipple with teflon tape.

Step 2: Screw the nipple into the wall connection.

Step 3: Screw the bodyjet onto the wall connection.

Step 4: The installation is complete.

⚠ WARNING: If the installation depth is 24mm (15/16"), it will cause the the body jet to spin, not tighten and leak.

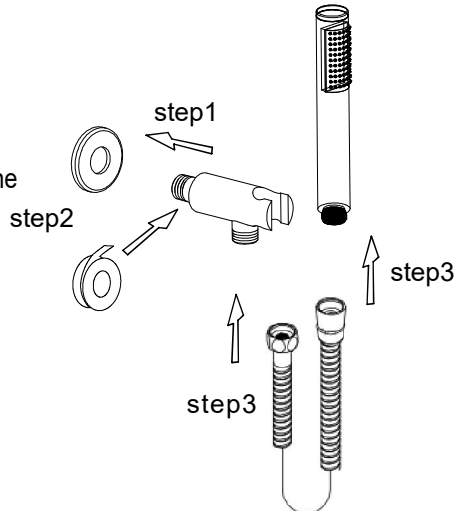
◆ Install the hand shower

1. Slide the hand shower arm escucheon onto the hand shower arm.

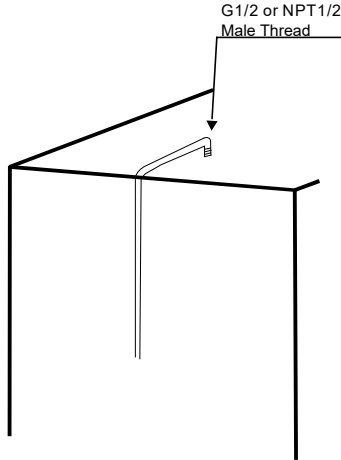
2. Apply teflon tape to the hand shower arm. screw the hand shower arm into the wall connection, ensuring it is secure and in the proper position.

3. Connect the shower hose to the hand shower arm then to the hand shower.

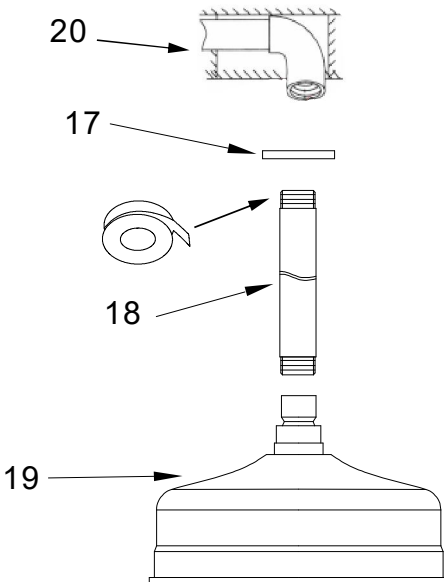
Note: Do not overtighten as it may cause damage to the fitting in the wall.



◆ Shower head water pipe-layout



◆ INSTALLATION OF RAIN SHOWER HEAD & SHOWER ARM



Slide the shower arm escutcheon (17) onto the shower arm (18), apply teflon tape to both ends of the shower arm.

Screw the shower arm into the wall connection (20), ensuring it is secure and in the proper position.

Screw the shower head onto the shower arm.

NOTE: Do not overtighten as it may cause damage to the fitting in the wall.

Care and Maintenance

Rinse faucet with clean water and wipe with soft cotton cloth

Avoid using cleaning powders, harsh cleaning chemicals, coarse brushes, a cloth with an abrasive surface to prevent scratching and corrosion

Do not use an acidic cleaner to clean the faucet as it may cause surface corrosion on the faucet. If the faucet comes into contact with harmful acidic substances, please rinse it with water immediately.



If a large-scale clean-up is necessary, follow these procedures:

- 1: Use clean water and a soft cloth to remove dirt on the surface.
2. Use one of the following cleaners to remove dirt on the surface: Mild liquid cleaner, colorless glass cleaner, powder cleaner which is not abrasive and can be dissolved completely and a polish liquid which is not abrasive.
- 3: After cleaning, remove the cleansing agent with clean water and wipe with soft cotton cloth.