

SHOWER FAUCET

Installation Manual



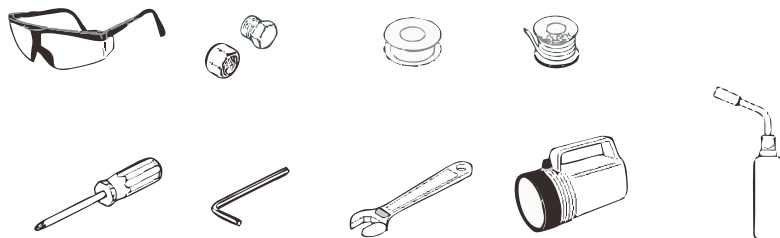
CA-A4345-BN/MB/CP/BG/MW/ORB

LUXURY SHOWER SET

◆ INSTALLATION

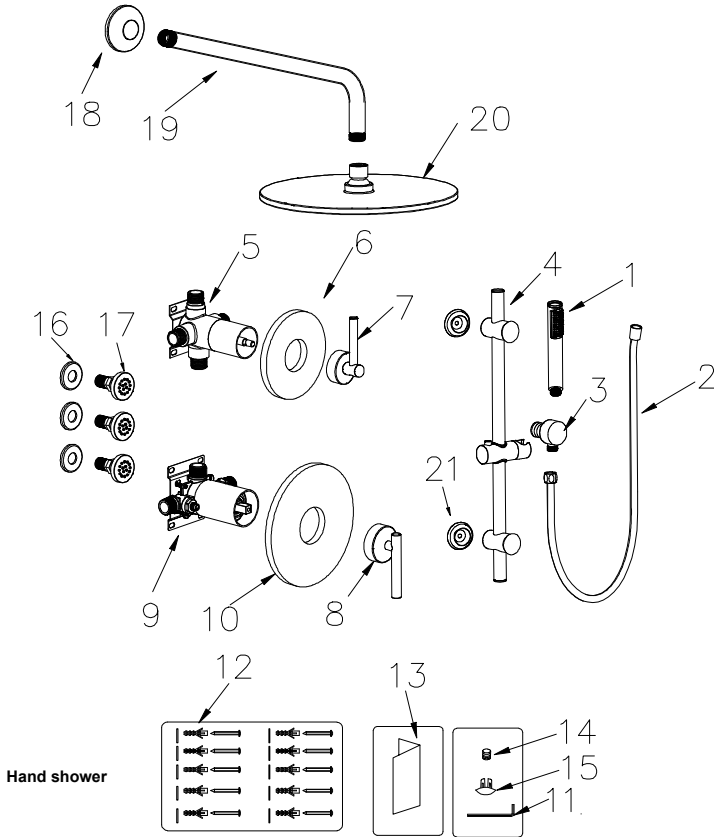
1. Refer to the «Standard Part List» when unpacking, check that all parts are present.
2. Do not disassemble the valve body.
3. Connect inlet hoses to the supply valves.
4. Make sure to flush out the supply lines to clear any possible debris before installation.
5. After installation, check all joints for possible leaks.

YOU MAY NEED:



LUXURY SHOWER SET

◆ PART LIST



Hand shower

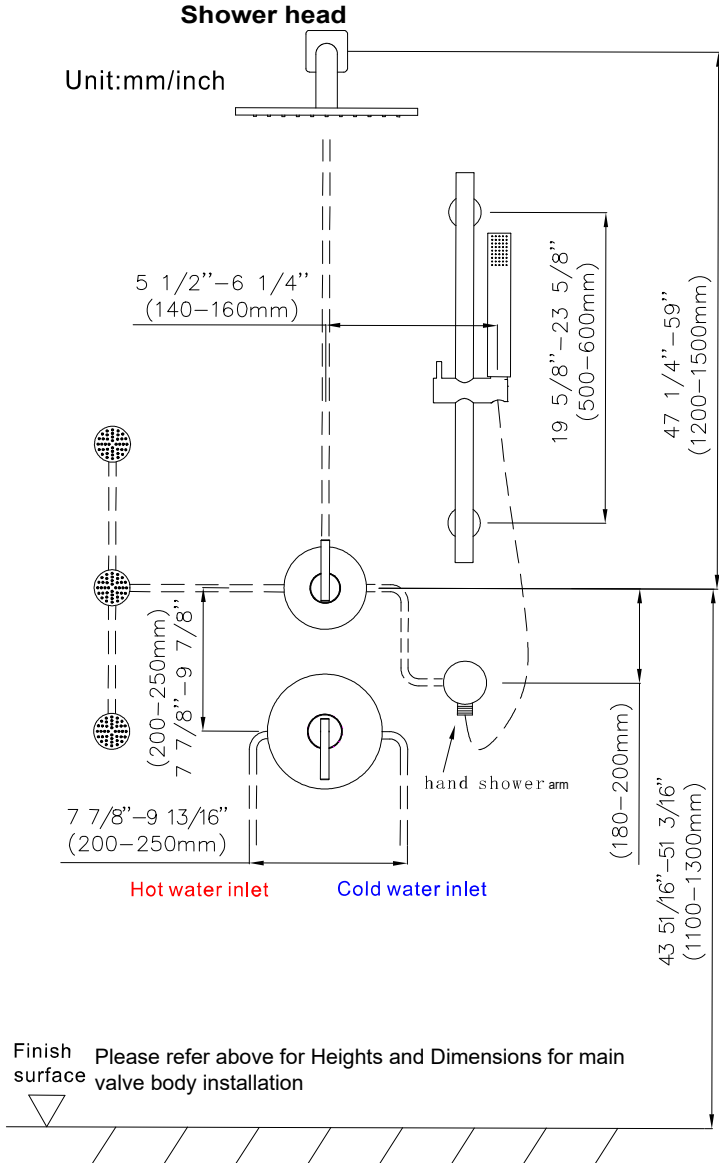
NO.	Part name	Qty	NO.	Part name	Qty	NO.	Part name	Qty
1	Hand shower	1		Temperature handle	1	15	Knob screw cap	1
2	Shower hose	1		Main valve body	1	16	Body jet escutcheon	3
3	Hand shower arm	1		Trim plate	1	17	Body jets	3
4	Slide bar	1		Allen wrench	1	18	Shower arm escutcheon	1
5	Diverter body	1		Anchor kit	1	19	Shower arm	1
6	Trim plate	1		Manual	1	20	Shower head	1
7	Diverter handle	1		Set screw	1	21	Mounting base	1

Right of product modification such as dimension without notice is reserved.

Contact Phone Number:(951)213-4742
Service Contact:contactus24service@gmail.com

LUXURY SHOWER SET

◆ INSTALLATION SHOWER SET SIZE & WATER PIPE LINE REFERENCE



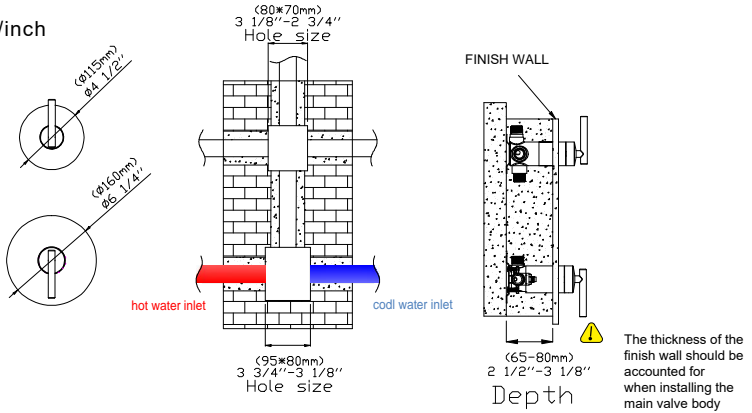
Right of product modification such as dimension without notice is reserved.

Contact Phone Number:(951)213-4742
Service Contact:contactus24service@gmail.com

LUXURY SHOWER SET

◆ INSTALLATION DEPTH OF MAIN VALVE BODY

Unit:mm/inch

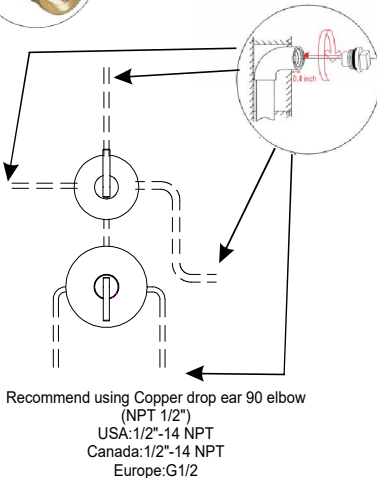


1. Including the thickness of the ceramic tile it is less than or equal to the thickness of valve 3 1/8" (80mm) so the thickness of tile must be calculated before installation.
2. Installation of the main valve body should be 2 1/2" (65mm)min and not more than 3 1/8" (80mm)Max, or the valve components will not fit properly or work correctly.
3. The hole size of the main body after tiling is smaller than the size of the panel

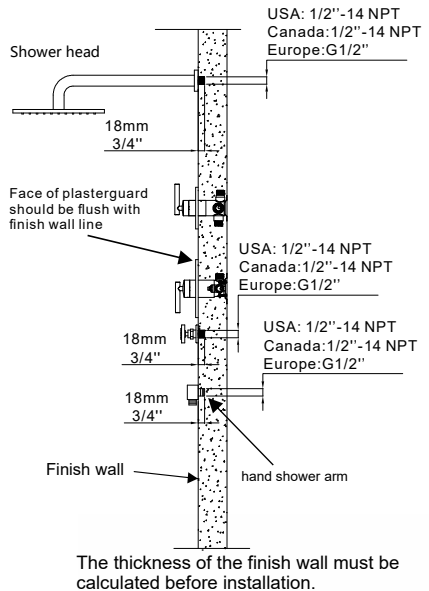
◆ WALL MOUNTED/CEILING MOUNTED INSTALLATION



Recommend using copper drop ear 90 elbow(NPT1/2")



◆ INSTALLATION DEPTH OF SHOWER ARM & HAND SHOWER BODY & BODY JET



Right of product modification such as dimension without notice is reserved.

Contact Phone Number:(951)213-4742
Service Contact:contactus24service@gmail.com

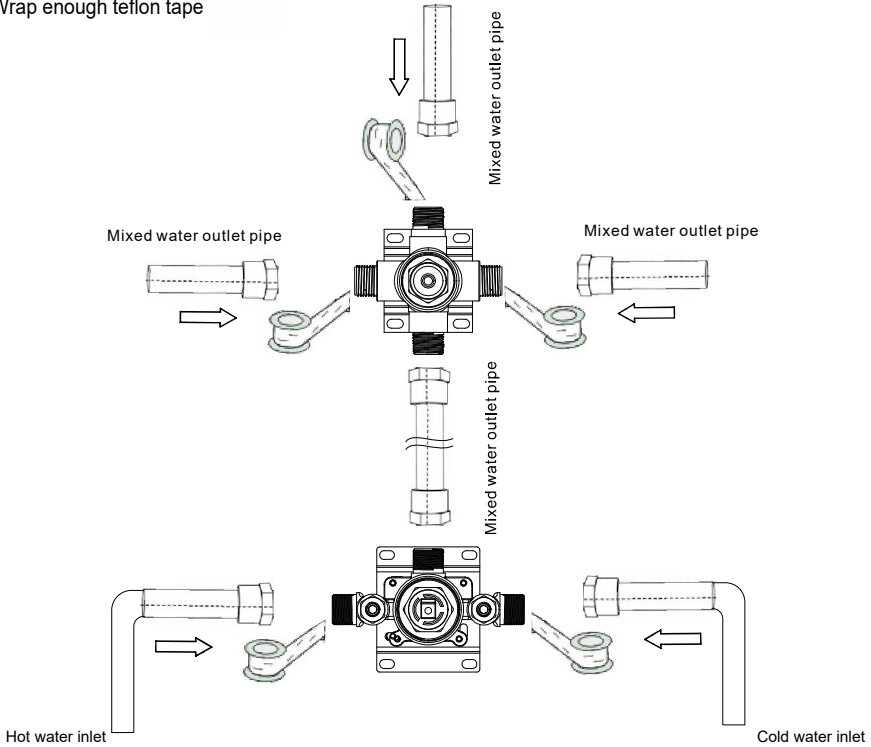
LUXURY SHOWER SET

◆ MAIN BODY PIPING DIAGRAM

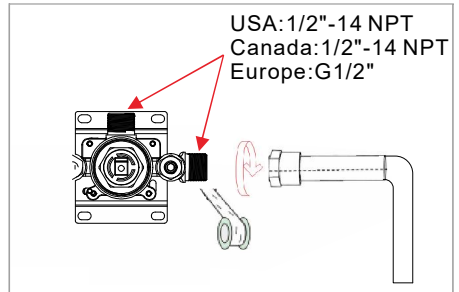


Warning: Pipe all water inlets and outlets as shown.

Wrap enough teflon tape



1. As shown in the image, pay attention to the correct direction when installing the main body, and make sure that the mark level on the top of the installation box is facing upward.
2. Install the hot and cold water inlet pipes, shower head and hand shower outlet pipes.
3. Turn on the water to test whether the left and right inlet pipes are tightly connected without leakage. After the test, adjust the flow switch to be on to test whether the mixed outlet pipe connection is tight and there is no leakage.

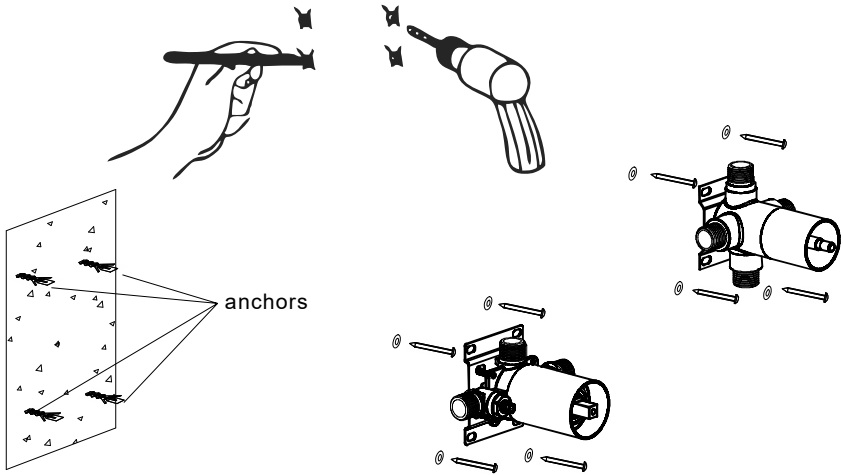


Right of product modification such as dimension without notice is reserved.

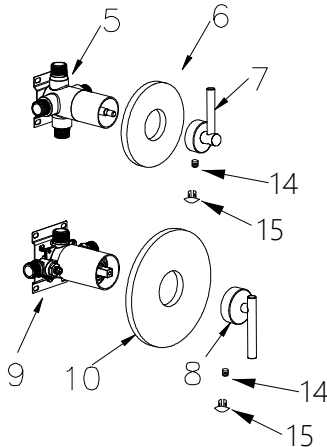
Contact Phone Number:(951)213-4742 Service
Contact:contactus24service@gmail.com

LUXURY SHOWER SET

◆ MAIN BODY VALVE AND SHOWER HAND INSTALLATION



1. Make marks according to the size of the main body valve, and then drill anchors into the wall (concrete wall).
2. Lock the main body to wood directly with screws (wood wall).
3. When installing the main body, please install the UP side up and do not install it upside down.

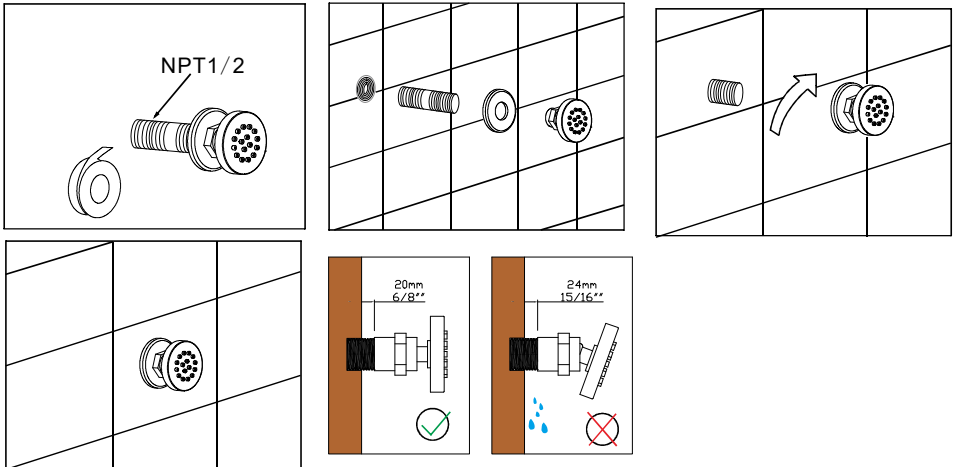


install (6) Panel (8) Handle (15) cap and (14) screw (7) Diverter handle in the correct order.

Right of product modification such as dimension without notice is reserved.

Contact Phone Number:(951)213-4742
Service Contact:contactus24service@gmail.com

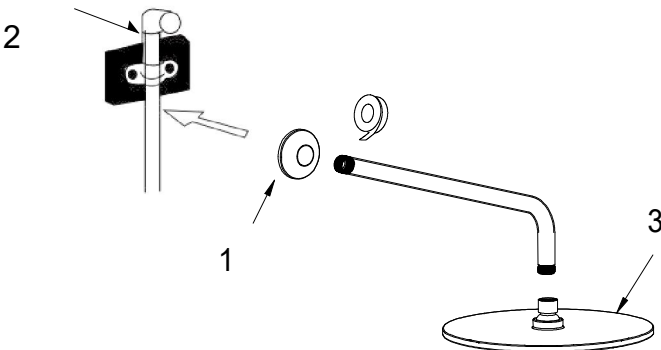
◆ Body jet installation



- Step 1:** Wrap the threads of the 1/2" nipple with teflon tape.
Step 2: Screw the nipple into the wall connection.
Step 3: Screw the bodyjet onto the wall connection.
Step 4: The installation is complete

⚠ Warning: If the installation depth is (15/16"), it will cause the the body jet to spin, not tighten and leak

◆ INSTALLATION OF SHOWER HEAD & SHOWER ARM

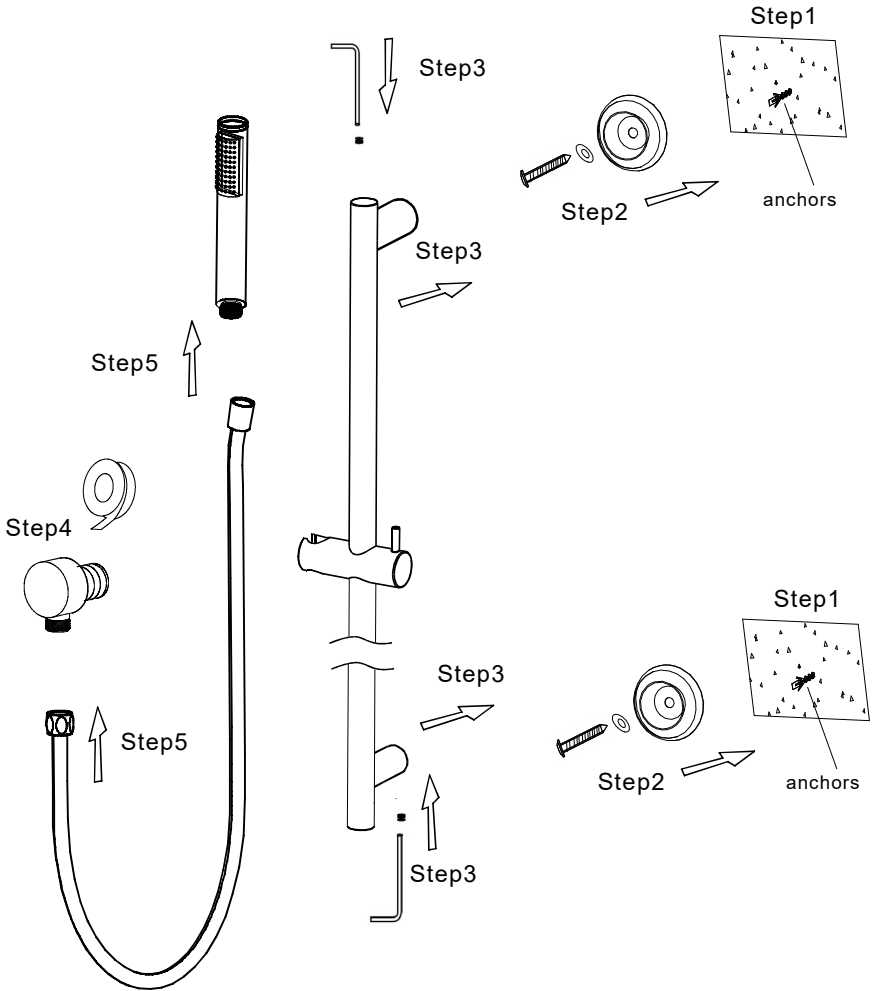


1. Slide the shower arm escutcheon onto the shower arm, apply teflon tape to both ends of the shower arm.
2. Screw the shower arm into the wall connection, ensuring it is secure and in the proper position.
3. Screw the shower head onto the shower arm.

NOTE: Do not overtighten as it may cause damage to the fitting in the wall

LUXURY SHOWER SET

◆ Install the slide bar & hand shower



Step 1 . Make marks according to the size of the hand shower holder, and then drill anchors into the wall(concrete wall).

Step2.Screw the mounting base to the wall.

Step3.Rotate and fix the hand shower holder into hand shower holder cup with the special-shaped wrench.

Step4 .Wrap the threads of the hand shower arm with teflon tape,then screw the it into the wall.

Step5.Connect hand shower and the hose.

Right of product modification such as dimension without notice is reserved.

Contact Phone Number:(951)213-4742

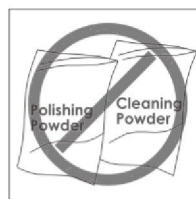
Service Contact :contactus24service@gmail.com

Care and Maintenance

Rinse faucet with clean water and wipe with soft cotton cloth

Avoid using cleaning powders, harsh cleaning chemicals, coarse brushes, a cloth with an abrasive surface to prevent scratching and corrosion

Do not use an acidic cleaner to clean the faucet as it may cause surface corrosion on the faucet. If the faucet comes into contact with harmful acidic substances, please rinse it with water immediately.



If a large-scale clean-up is necessary, follow these procedures:

- 1: Use clean water and a soft cloth to remove dirt on the surface.
2. Use one of the following cleaners to remove dirt on the surface: Mild liquid cleaner, colorless glass cleaner, powder cleaner which is not abrasive and can be dissolved completely and a polish liquid which is not abrasive.
- 3: After cleaning, remove the cleansing agent with clean water and wipe with soft cotton cloth.