

SHOWER FAUCET

Installation Manual



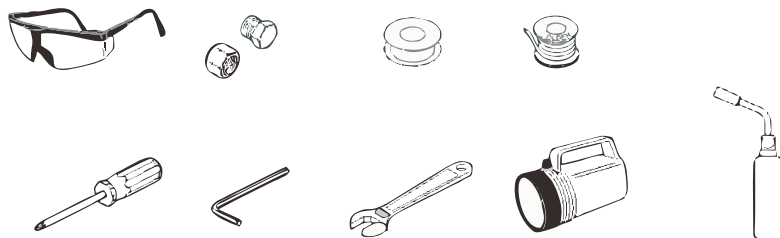
CA-A4341 -BN/MB/CP/BG/MW/ORB

LUXURY SHOWER SET

◆ INSTALLATION

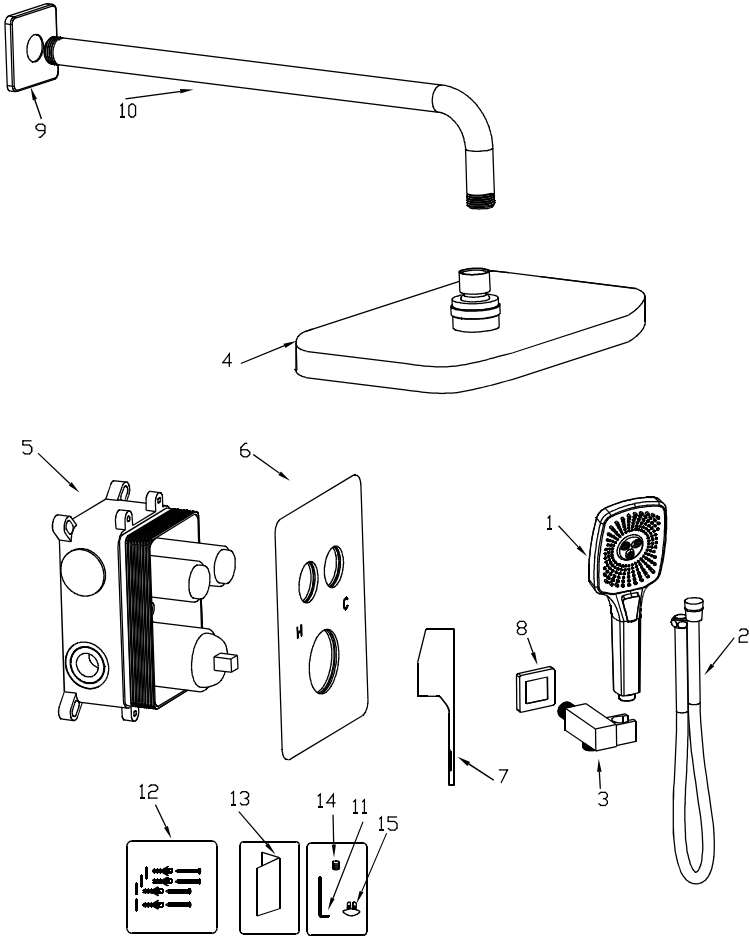
1. Refer to the «Standard Part List» when unpacking , check that all parts are present.
2. Do not disassemble the valve body.
3. Connect inlet hoses to the supply valves.
4. Make sure to flush out the supply lines to clear any possible debris before installation.
5. After installation , check all joints for possible leaks.

YOU MAY NEED:



LUXURY SHOWER SET

◆ PART LIST



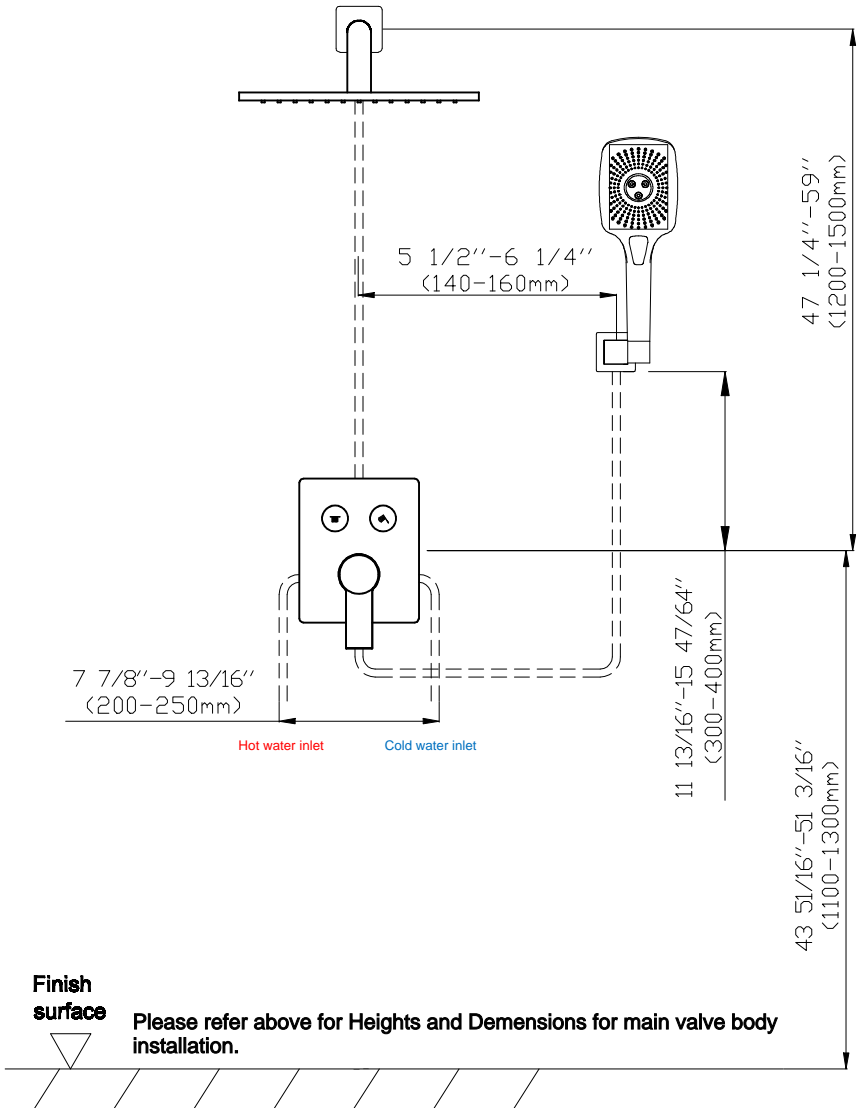
NO.	Part name	Qty	NO.	Part name	Qty	NO.	Part name	Qty
1	Hand shower	1	6	Valve trim panel	1	11	Allen wrench	1
2	Shower hose	1	7	Handle	1	12	Anchor kit	1
3	Hand shower arm	1	8	Hand shower escutcheon	1	13	Instruction manual	1
4	Shower head	1	9	Shower arm escutcheon	1	14	Handle set screw	1
5	Valve body	1	10	Shower arm	1	15	Handle screw cap	1

Right of product modification such as dimension without notice is reserved.

Contact Phone Number:(951)213-4742
Service Contact:contactus24service@gmail.com

LUXURY SHOWER SET

◆ INSTALLATION HEIGHTS AND DIMENSIONS



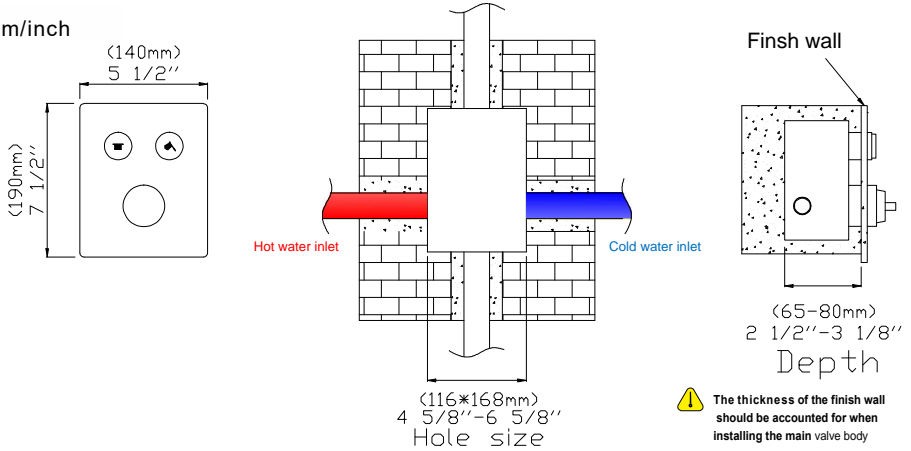
Right of product modification such as dimension without notice is reserved.

Contact Phone Number: (951)213-4742
Service Contact: contactus24service@gmail.com

LUXURY SHOWER SET

◆ INSTALLATION DEPTH OF THE MAIN VALVE BODY

Unit:mm/inch

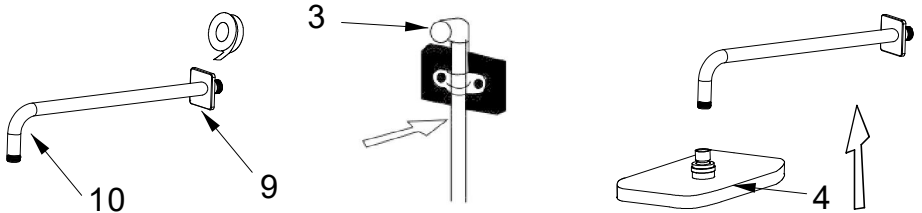


1. Including the thickness of the ceramic tile it is less than or equal to the thickness of valve 3 1/8" (80mm) so the thickness of tile must be calculated before installation.

2. Installation of the main valve body should be 2 1/2" (65mm) min and not more than 3 1/8" (80mm) Max, or the valve components will not fit properly or work correctly.

3. The hole size of the main body after tiling is smaller than the size of the panel.

◆ INSTALLATION OF RAIN SHOWER HEAD& SHOWER ARM



1. Slide the shower arm escutcheon onto the shower arm, apply teflon tape to both ends of the shower arm.

2. Screw the shower arm into the wall connection, ensuring it is secure and in the proper position.

3. Screw the shower head onto the shower arm.

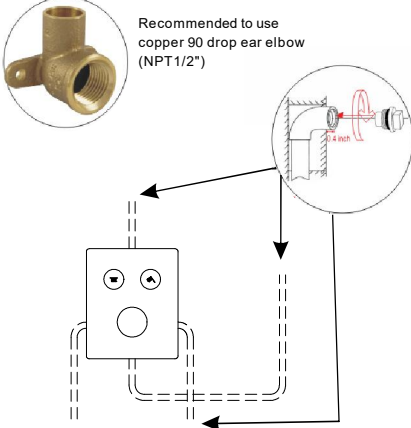
NOTE: Do not overtighten as it may cause damage to the fitting in the wall.

Right of product modification such as dimension without notice is reserved.

Contact Phone Number:(951)213-4742
Service Contact:contactus24service@gmail.com

LUXURY SHOWER SET

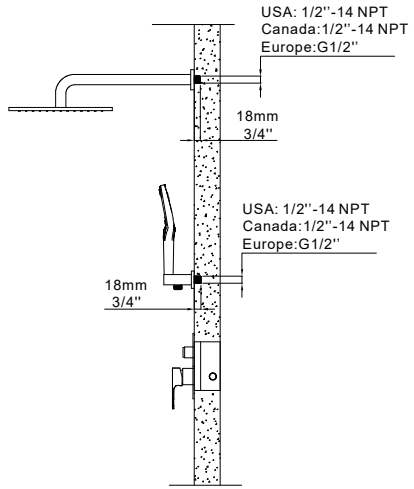
◆ WALL MOUNTED/CEILING MOUNTED INSTALLATION



Recommended to use copper 90 drop ear elbow (NPT 1/2")

Recommend using Copper 90 drop ear elbow (NPT 1/2")
 USA: 1/2"-14 NPT
 Canada: 1/2"-14 NPT
 Europe: G1/2

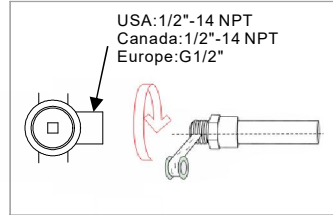
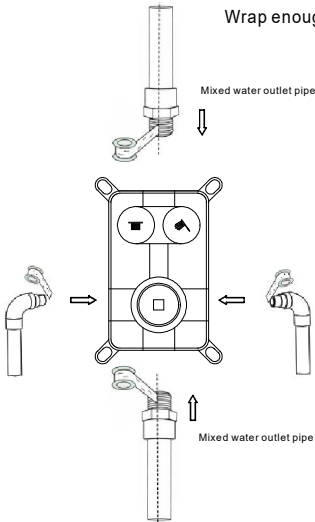
◆ INSTALLATION DEPTH OF SHOWER ARM & HAND SHOWER ARM



◆ MAIN BODY PIPE CONNECTION DIAGRAM



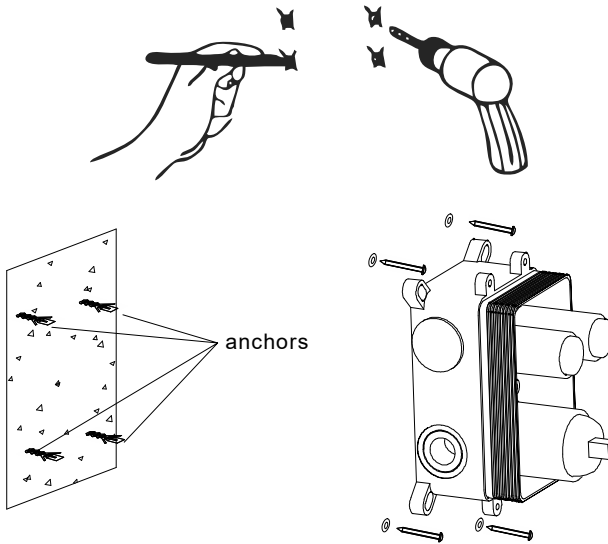
Warning: pipe all water inlets and outlets as shown.



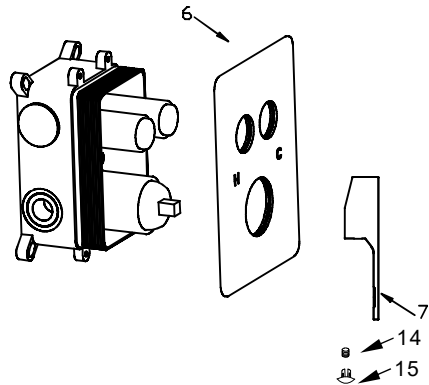
1. Ensure the arrow indicated on the valve body is facing upwards for proper installation, then connect the water lines as illustrated in the image above.
2. Once all the rough-in connections are made, plug off the open shower head and hand shower opening and turn on the water to check for any leakage.

LUXURY SHOWER SET

◆ MAIN VALVE BODY INSTALLATION



1. Concrete wall: Make marks at the mounting hole locations on the valve body, next drill out the marks and place the plastic anchors into the holes, lastly secure the valve body to the wall with the anchor screws.
 2. Wood wall: Make marks at the mounting hole locations on the valve body, lastly secure the valve body to the wall with corrosion resistant screws.
- Note: For proper installation of the valve body, it needs to be level to the wall it is being installed.

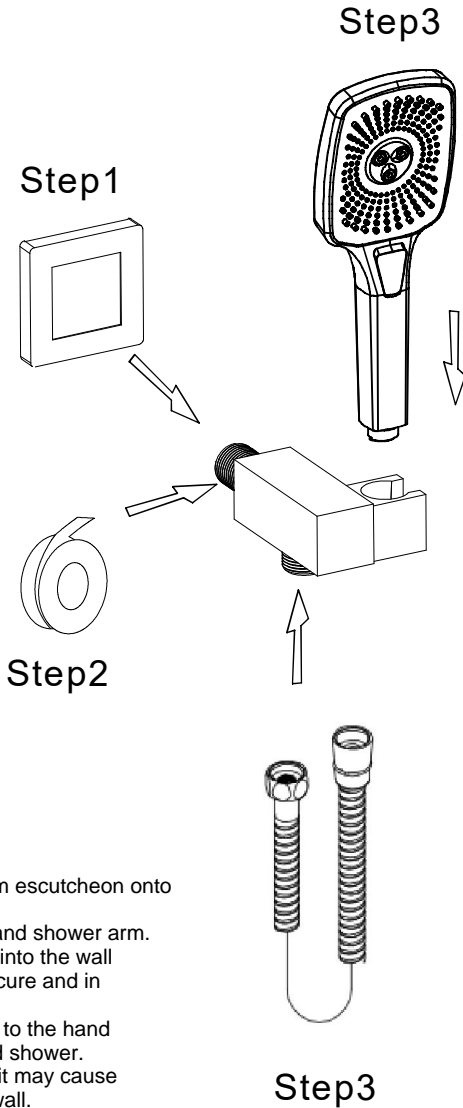


Install(6)Panel (7) Handle (14) screw (15) cap in the correct order.

Right of product modification such as dimension without notice is reserved.

Contact Phone Number:(951)213-4742
Service Contact:contactus24service@gmail.com

◆ Install the hand shower



1. Slide the hand shower arm escutcheon onto the hand shower arm.
 2. Apply teflon tape to the hand shower arm. screw the hand shower arm into the wall connection, ensuring it is secure and in the proper position.
 3. Connect the shower hose to the hand shower arm then to the hand shower.
- Note: Do not overtighten as it may cause damage to the fitting in the wall.

Care and Maintenance

Rinse faucet with clean water and wipe with soft cotton cloth

Avoid using cleaning powders, harsh cleaning chemicals, coarse brushes, a cloth with an abrasive surface to prevent scratching and corrosion

Do not use an acidic cleaner to clean the faucet as it may cause surface corrosion on the faucet. If the faucet comes into contact with harmful acidic substances, please rinse it with water immediately.



If a large-scale clean-up is necessary, follow these procedures:

- 1: Use clean water and a soft cloth to remove dirt on the surface.
2. Use one of the following cleaners to remove dirt on the surface: Mild liquid cleaner, colorless glass cleaner, powder cleaner which is not abrasive and can be dissolved completely and a polish liquid which is not abrasive.
- 3: After cleaning, remove the cleansing agent with clean water and wipe with soft cotton cloth.