

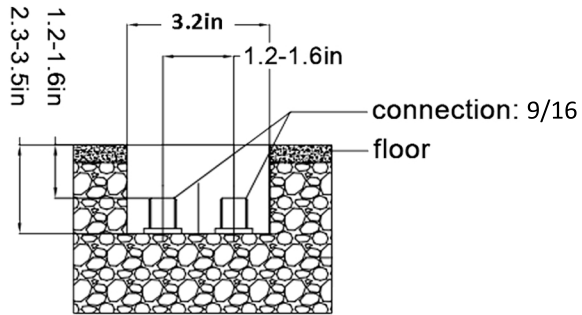
Prepare Tools



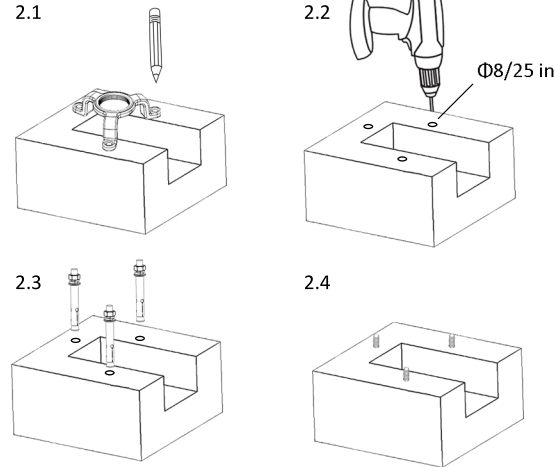
Caution:

1. Before installation, the water lines must be flushed to remove any debris, so that it will not block or restrict the flow of water from the aerator or plug the cartridge.
2. Use water and a soft non-abrasive cloth to clean the faucet.
3. You can use a mild liquid detergent for cleaning, do not use an abrasive detergent that may scratch or dull the surface.

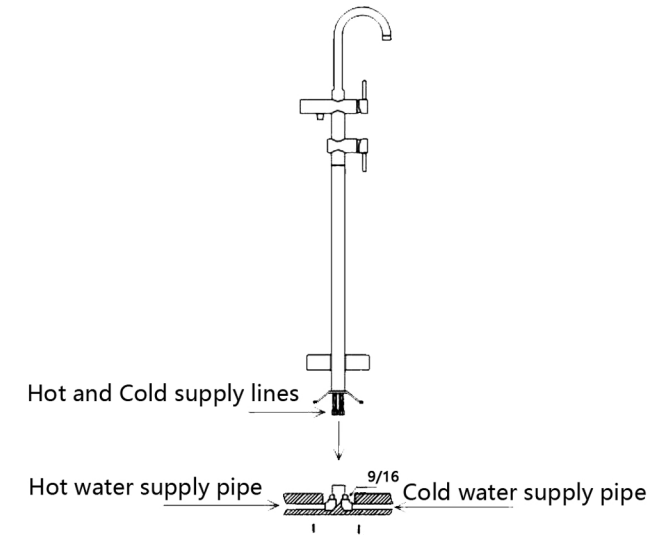
Installation Steps:



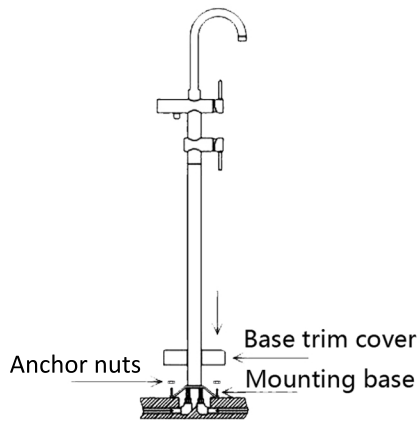
1. Using the image above for the dimensions, run a hot and cold line to the desired location of the faucet.



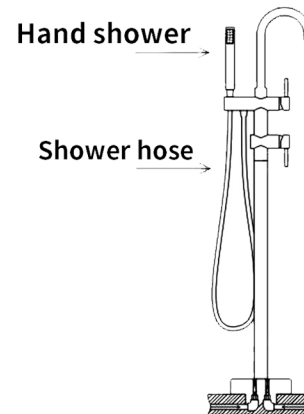
2. Mark out the three holes on the mounting base, drill holes using a 5/16 drill bit. Next, insert the metal drop in anchors into the holes and remove the nut, lock washer, and flat washer, and place the mounting base onto the anchors. Replace the flat washer, lock washer and nut onto the anchors and secure the mounting base, and tighten securely.



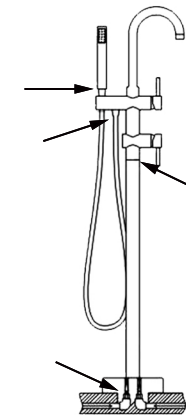
3. Connect the opposite side of the hot and cold supply lines to the correct water line at the floor.



4. Use the anchor nuts to secure the base to the floor, then slide the base trim cover down over the base.



5. Connect the shower hose to the faucet body, then to the hand shower.



6. Check for leaks at indicated areas in the image.