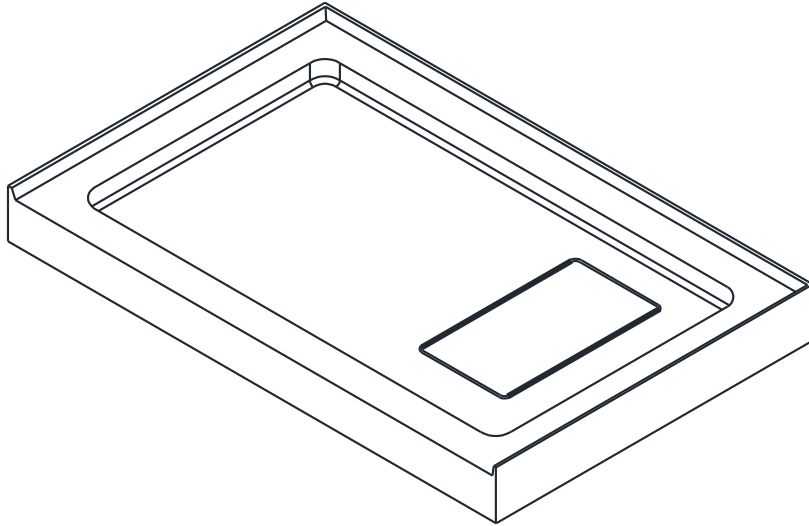
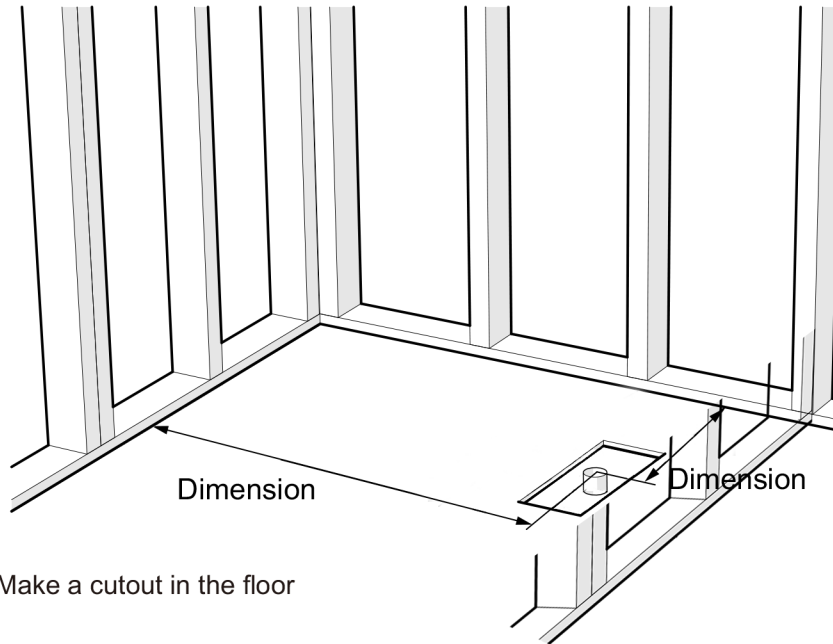


INSTALLATION MANUAL



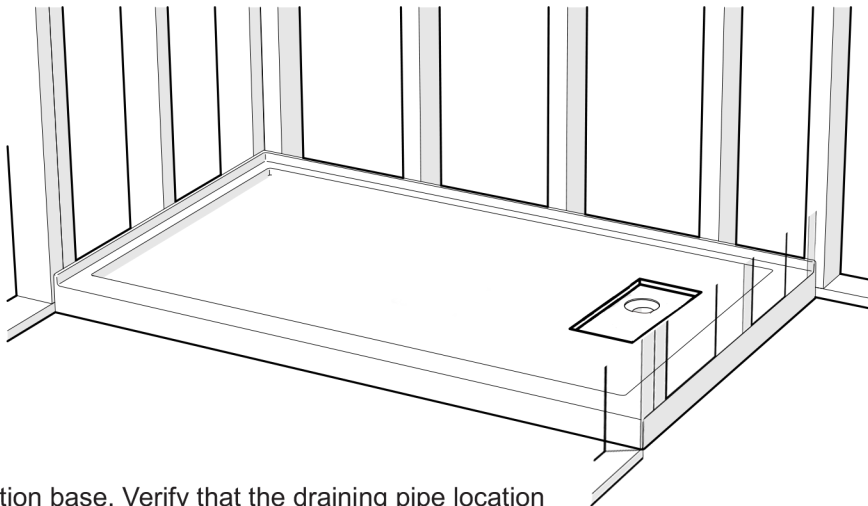
INSTALLATION MANUAL

1



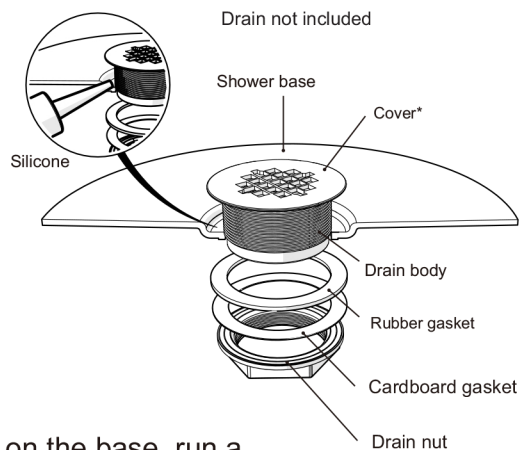
Make a cutout in the floor

2



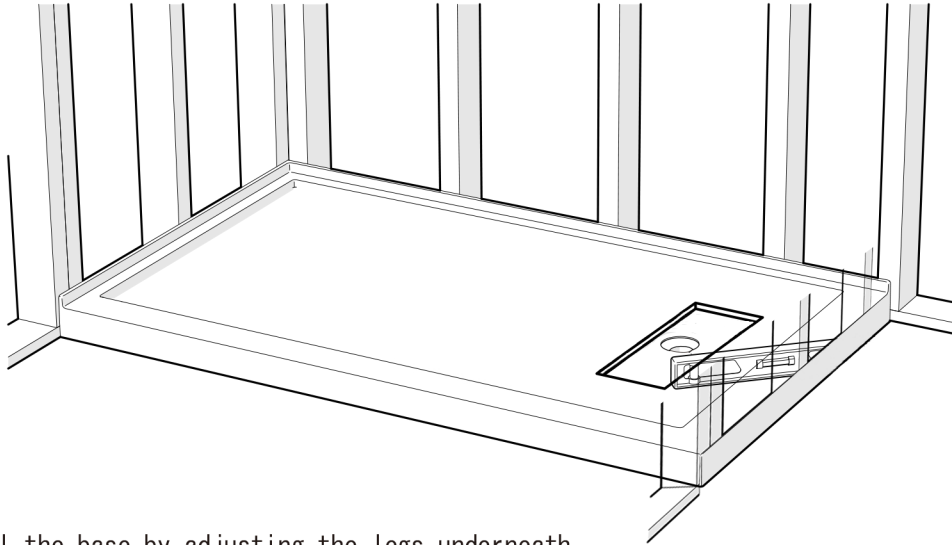
Position base. Verify that the draining pipe location matches the actual location of the base drain.
Remove the base.

3



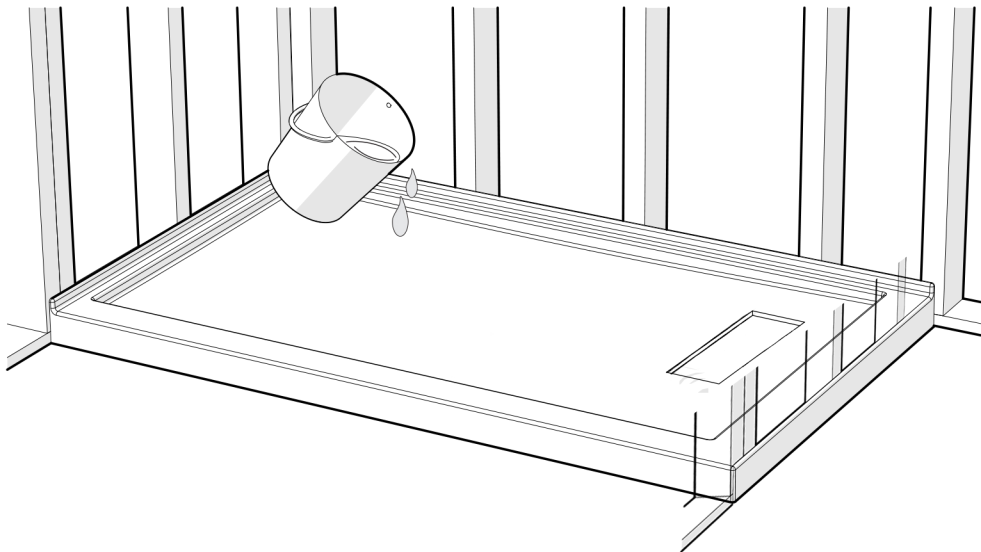
Prior to install the drain on the base, run a bead of silicone between the drain body and shower base.

4



Level the base by adjusting the legs underneath.
Check your adjustment with a level.

5

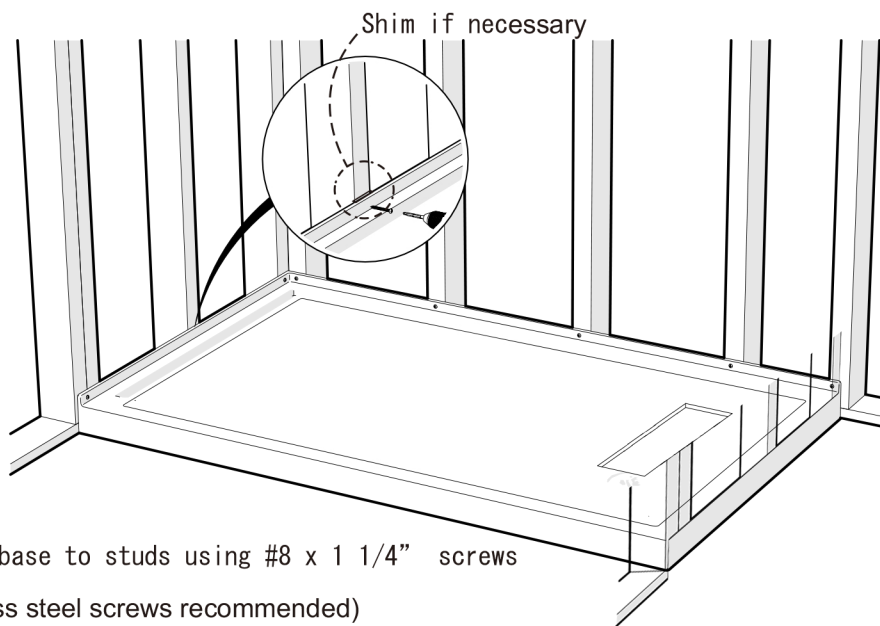


- A. Once the drain is connected, plug the drain and fill the base with a small amount of water.
- B. Check for any leakage around the drain (some bubbles may appear) and below (if you have access to).
- C. Unplug the drain and assure that the drainage is efficient.
There must be no puddle of water accumulation in the base.

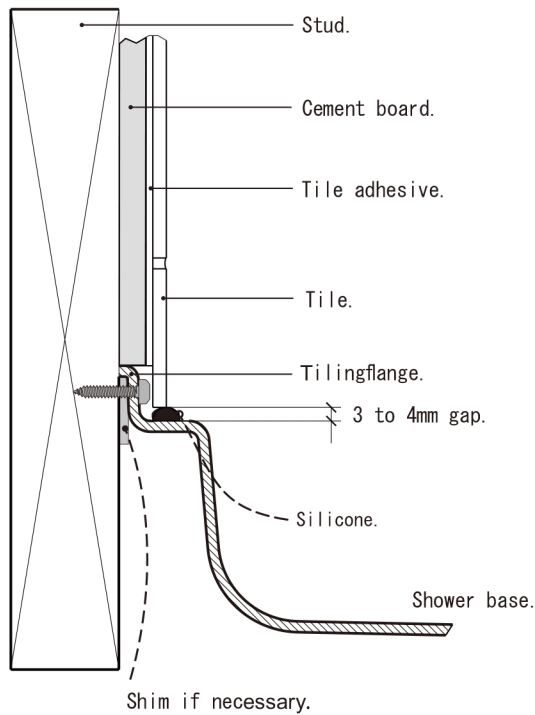


If water doesn't drain properly even though the base is leveled, do not continue this installation. Please remove the base and return it to your dealer for exchange.

6



7



Tips to achieve a professional looking and watertight finish.