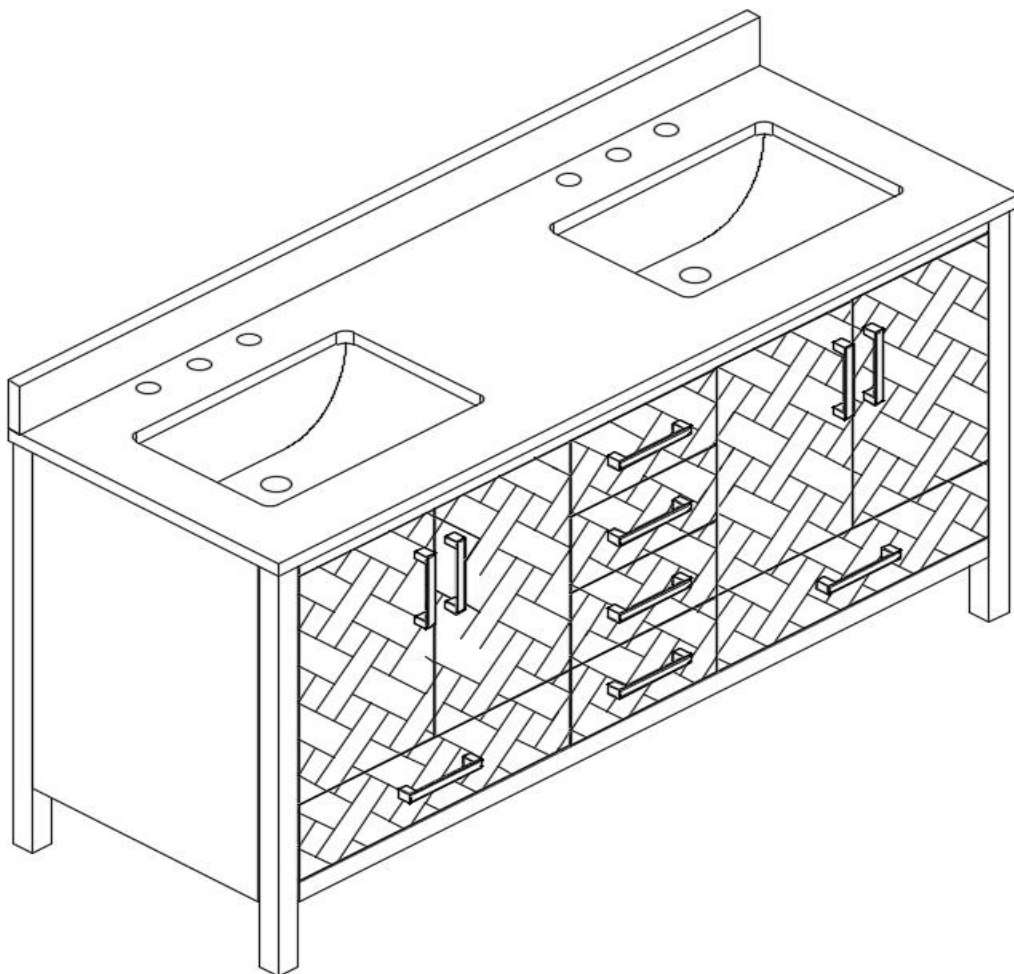


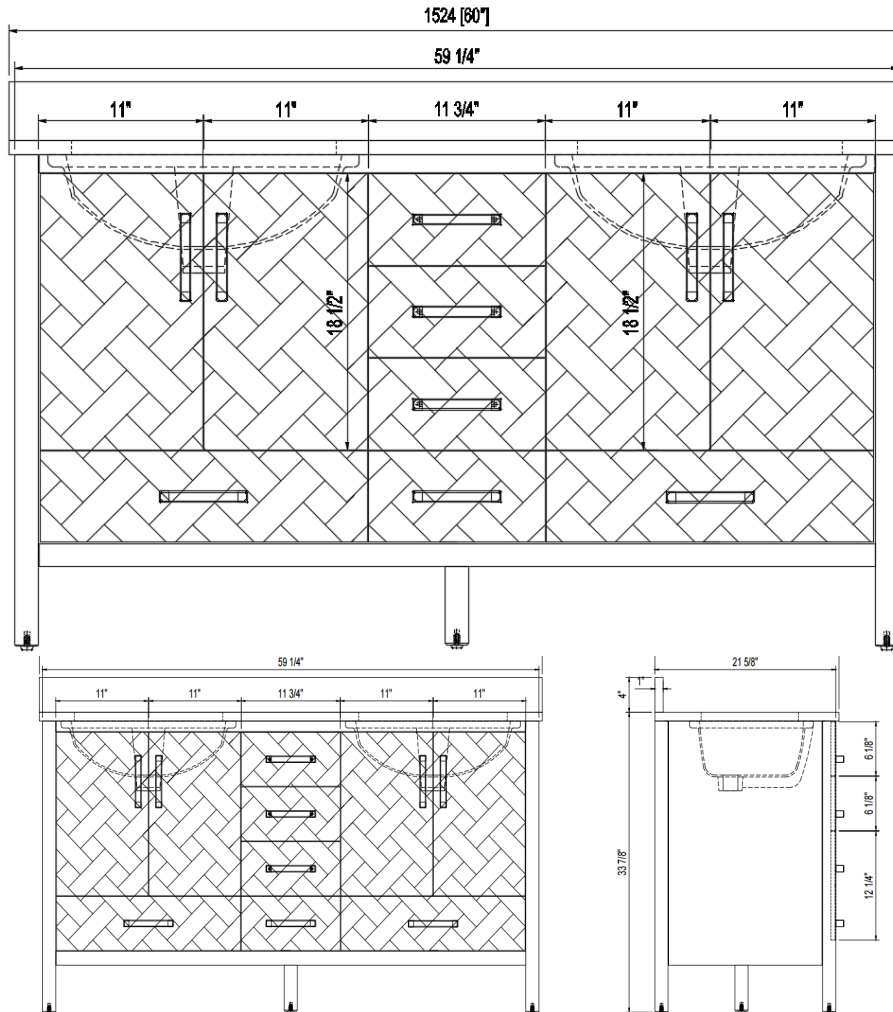
# CASAINO

**BR26002BTW60D**

ASSEMBLY&INSTALLATION INSTRUCTIONS



Spec Sheet



INSTALLATION SPECIFICATION

|                          |                      |   |                         |
|--------------------------|----------------------|---|-------------------------|
| Item#                    |                      | BR26002BTW60D   |                         |
| Color                    |                      | Caramel Woven Brown   |                         |
| Overall Dimension        |                      | 60"x22"x34"   |                         |
| Vanity Material          |                      | Poplar solid wood, TSCA MDF with oak veneer, Pine wood drawer |                         |
| Countertop Material      |                      | Veined white granite countertop                               |                         |
| Hardware Finish          | Black                | Shape   | Rectangular             |
| Number of Doors          | 4 soft-closing doors | Number of Drawers   | 5 soft-closing drawers  |
| Top Thickness            | 25mm(≈1 inch)        | Installation Type   | Freestanding            |
| Assembly Required        | No                   | Backsplash Height   | 4 inches                |
| Faucet Hole Spacing(in.) | 8 in.widespread      | Sink  | Double Undermount Sinks |
| Power Outlet             | Yes                  | Adjustable Shelf  | Yes                     |

## Before You Begin

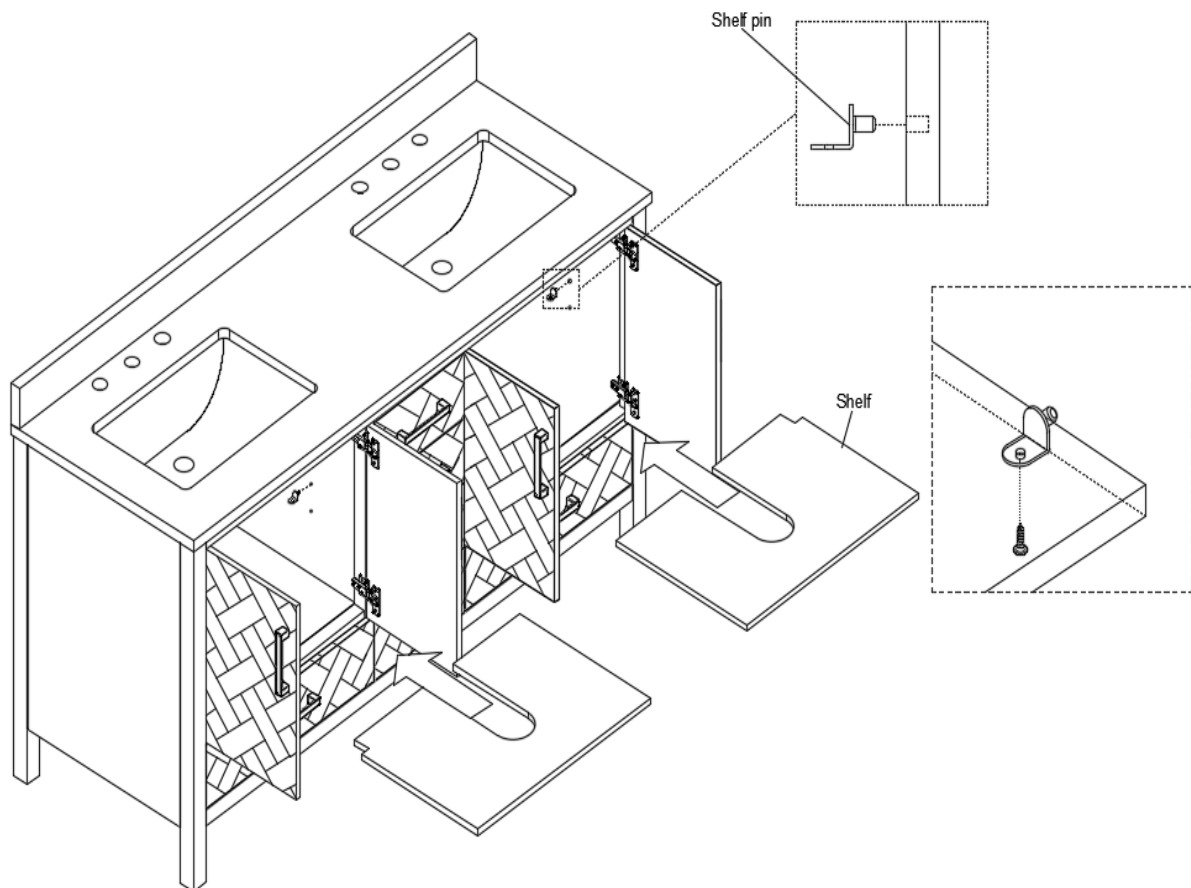
- **WARNING: Risk of serious or fatal injury.** To avoid tipping over, the cabinet must be placed on a level surface or it can be secured to the wall according to the instructions.
- **CAUTION: Risk of personal injury or property damage.** Mount the vanity to the wall (mounting hardware not included). Ensure the Vanity is securely fastened using suitable hardware based on your wall type. Exercise caution to avoid disrupting any hidden electrical or water lines present within the wall.
- **CAUTION: Risk of personal injury or property damage.** Product can break, chip, or cause injury if handled carelessly.
- **CAUTION: Risk of product damage.** Do not modify the vanity. Doing so will compromise structural stability.
- **CAUTION: Risk of product damage.** Do not sit or stand on the cabinet.
- **CAUTION: Risk of product damage.** Use care when moving the cabinet to avoid impacting, sliding, or side-loading the legs.
- **CAUTION: Attention to Electrical Safety.** Since the bathroom cabinet contains power socket, please ensure separation of water and electricity during installation and use to avoid personal injury.

### NOTICE:

Follow all local plumbing and building codes.

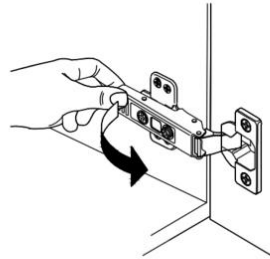
Two people should perform this installation.

## 1. Adjust the Shelves

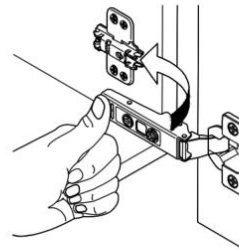


- From under the shelf, remove the screws securing the shelf in place.
- Remove the shelf.
- Adjust the position of the shelf by moving the shelf pins to the side holes at the desired height.
- Replace the shelf and use the screws to secure the shelf in place.

## 2. Adjust the Door



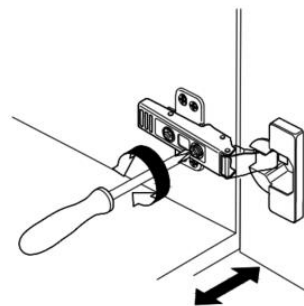
Remove



Install

### ➤ **Remove and Install**

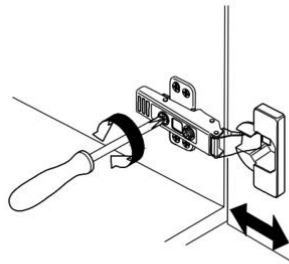
Remove or install the hinges according to the direction shown in the diagram.



adjust laterally

### ➤ **Laterally Adjustment**

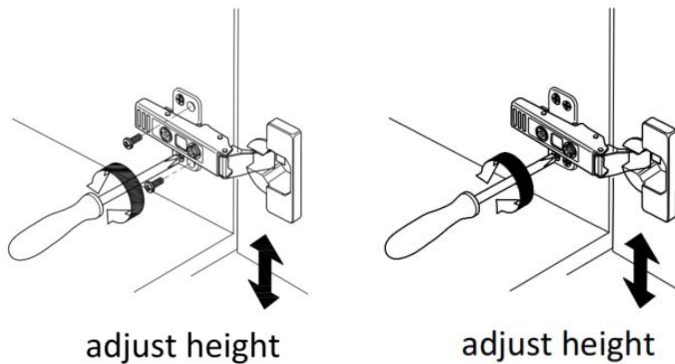
Tighten or loosen the front screw on the hinge to adjust the horizontal position of the door.



adjust depth

### ➤ **Depth Adjustment**

Tighten or loosen the rear screw to adjust the depth of the door.



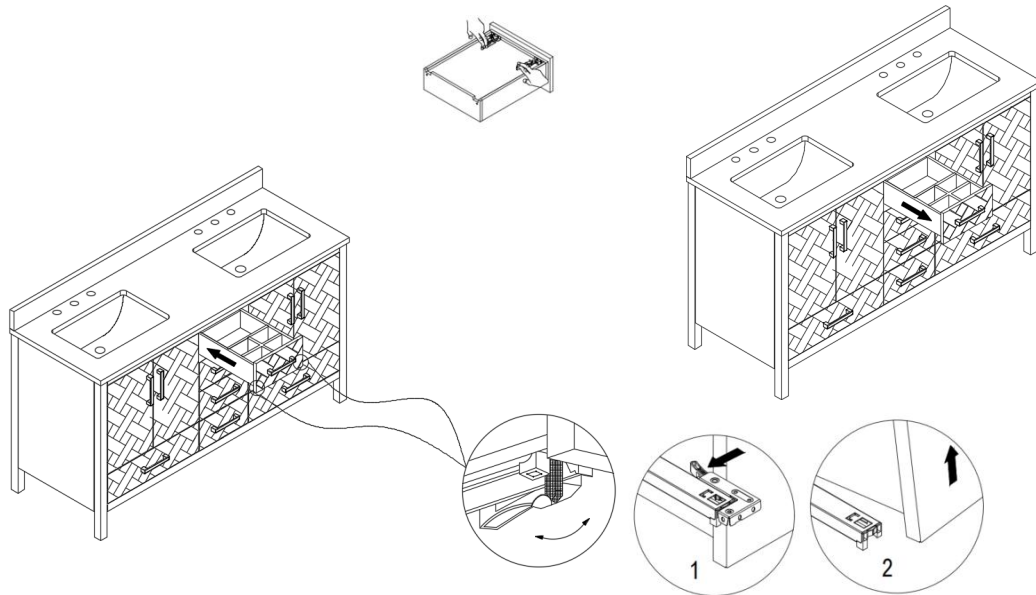
adjust height

adjust height

### ➤ **Height Adjustment**

- Remove the two front screws from the hinges.
- Loosen the two rear screws in the hinges.
- Slide the hinge up or down to adjust the vertical position of the door.
- Tighten the two rear screws.
- Install the two front screws.

### 3. Adjust the Drawer



#### ➤ **Adjust the Position**

To adjust the position of the drawer, rotate the adjustment wheel underneath the front corners to the left or right as needed.

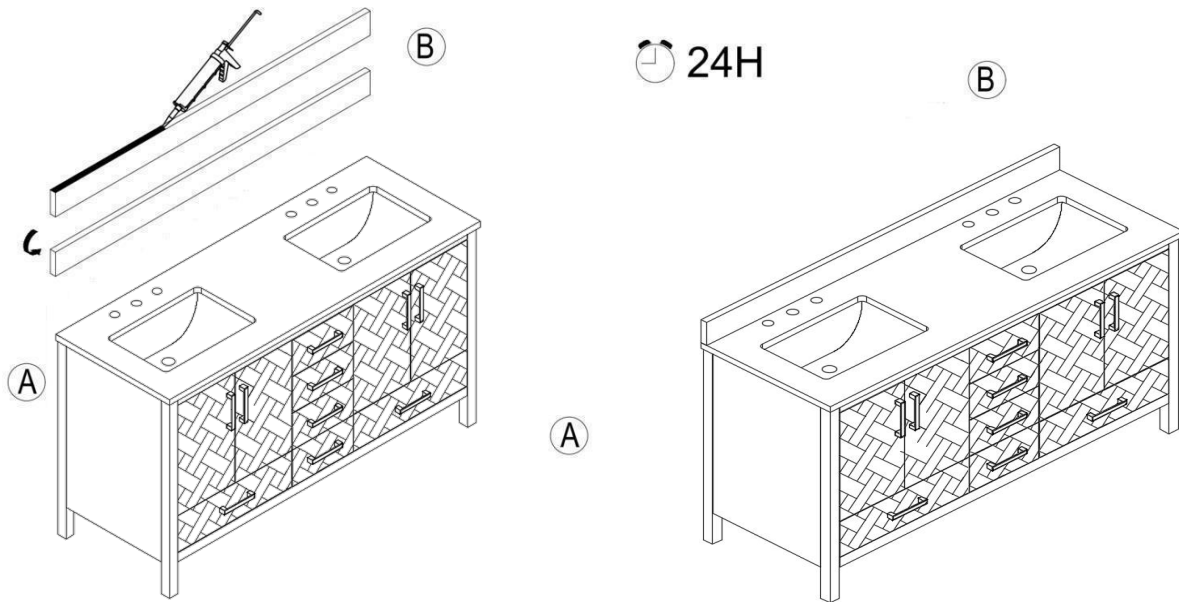
#### ➤ **Removal**

- Fully extend the drawer.
- From underneath, press the release latches toward the sides of the drawer.
- Lift the front of the drawer to disengage from the rails.

#### ➤ **Reinstallation**

- Fully extend both rails.
- Rest the back of the drawer onto the rails and align the rail hooks with the drawer holes.
- Rotate the front of the drawer down onto the rails, engaging the latches with the rails.
- Push the drawer closed to fully snap the latches into the rails and insert the rail hooks into the drawer holes.
- Lightly lift the front of the drawer to verify that the drawer is fully engaged with both rails. If not engaged, repeat the “Reinstallation” procedure.

## 4. Install the Backsplash



- Position the backsplash on top of the vanity and flush against the finished wall.
- Verify that the sides of the backsplash are aligned with the sides of the vanity top.
- Secure the backsplash using a bead of silicone along the bottom of the backsplash.
- Allow the unit to stand for 24 hours to ensure the silicone is fully dried.

## Warranty

### Countertops and Vanities

➤ **Residential Use:**

Bathroom countertops and vanity sets constructed of stone, engineered materials, or wood are covered under a one (1) year limited warranty for defects in material and workmanship from the date of purchase under normal residential use.

➤ **Commercial or Public Use:**

Countertops and Vanities installed in commercial or public environments are warranted for one (1) year.

➤ **Accessories:**

Countertops and vanity accessories are covered under a limited one (1) year warranty.

## Vanity Care & Maintenance Guide

➤ **Cabinet Door:**

- Water should NOT have any contact with the cabinet door.
- To maintain your cabinet make sure to repair and hinges or handles if loose.
- To clean, use a damp rag. cabinets are an easy to maintain.
- Heavy articles should not be placed on the cabinet, for example: heavy cleaner or glass articles.

➤ **Cabinet Frame:**

- In any case of a leakage make sure the cabinet does not overflow with any liquid for any period of time as it will swell.
- All the articles placed in the cabinet should be dry.
- The cabinet should always remain dry.

➤ **Accessories:**

Keep salt, hair dye and make up away from the any accessories, clean them while they are adhered with it.

➤ **Engineering Stone:**

- Do keep the countertop as dry as possible.
- Do recommend to only use water to wash the countertop (no mild dish soap, cleaner, detergent), and try the countertop by soft cloth as soon as possible.
- Do keep the countertop clean and away from acidic (ex. citrus juice, vinegar, and wine) or oily substances (ex. edible oil, butter, and cream).
- Do prevent strong chemicals from contacting the top surface of the countertop.
- Do avoid exposure to strong chemical articles, like additive metal abluent, and stove abluent as they can damage the countertop.
- Do not place high-temperature objects directly on countertop for a long period (ex. a fresh hot cup of coffee).
- Do not place high-temperature appliances directly on the countertop as it will damage the stone (ex. iron).
- Do regular maintenance: Waterproofing treatment is generally conducted every 2 to 3 months, and the specific frequency can be adjusted according to the usage and environmental conditions.

USA: 888-257-3857  
Service@casainc.com  
casainc.com

**CASAINC**