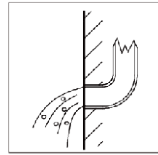
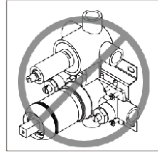


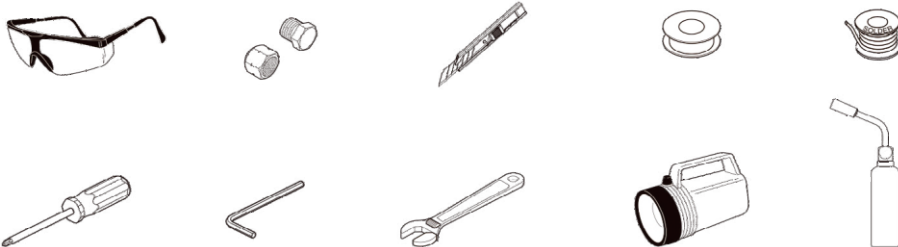
Customer Service  
call our number:888-257-3857  
Or E-mail:[service@casainc.com](mailto:service@casainc.com)

## ◆ Installation Condition

1. Check the accessories list to verify that all parts are complete in this package.
2. Do not disassemble the shower valve body by yourself.
3. Connect inlet pipes to supply valves.
4. Make sure inlet pipes and supply valves have no impurities and are cleaned, with no impurities in the pipeline.
5. After installation, check all joints for leakages.
6. Do not leave the rain shower system exposed to a severely corrosive environment.

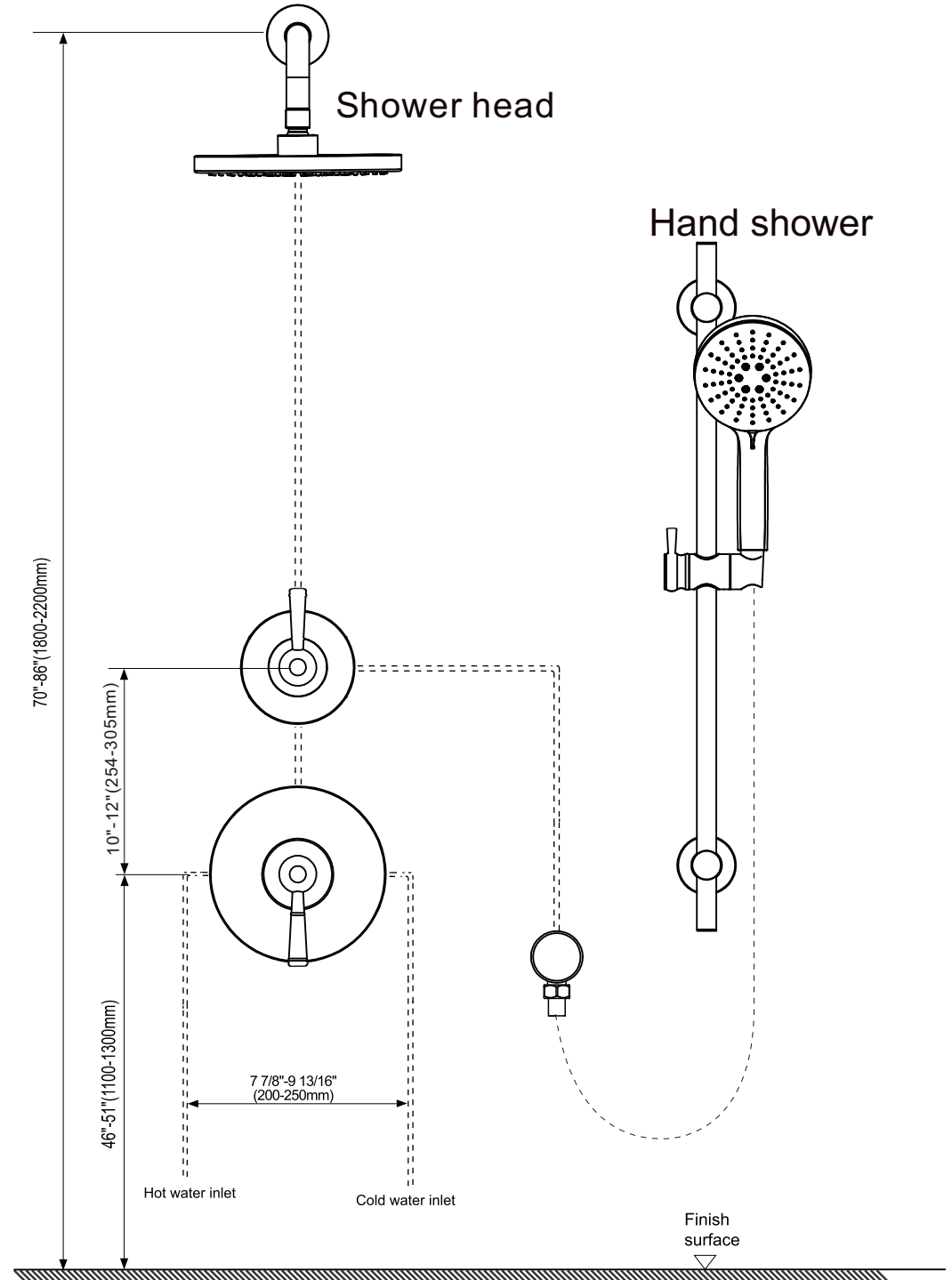


### YOU MAY NEED:

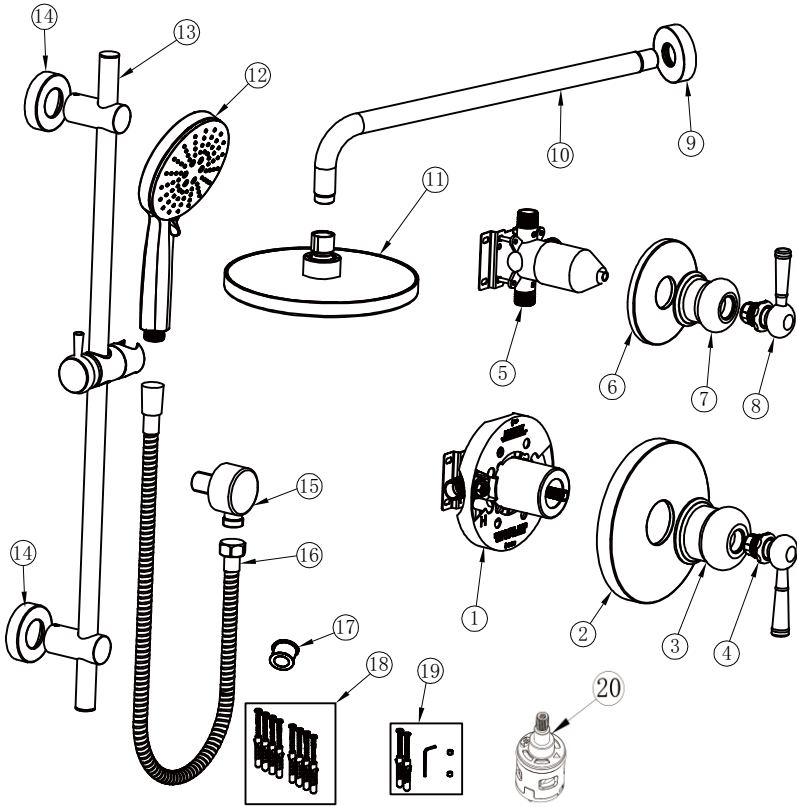


## ◆ Essential dimensions & water pipe line

Unit:mm/inch



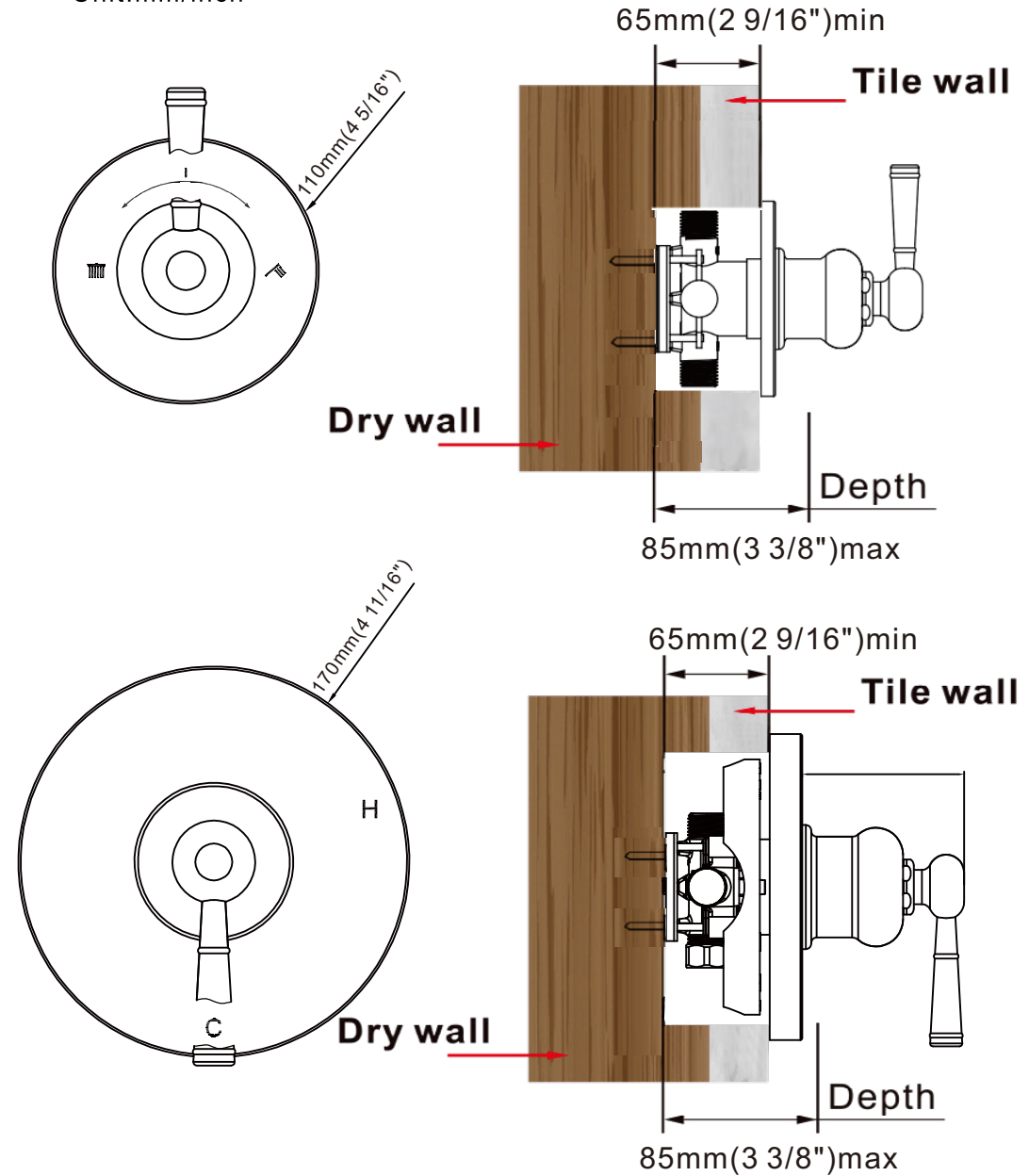
◆ Two-function Rain Shower System  
Accessories List



No.	Part name	Qty	No.	Part name	Qty
1	Shower valve body	1	12	Hand shower	1
2	Trim plate	1	13	Lifting rod	1
3	Handle gripe	1	14	Decorative cover for lifting pole	2
4	Shower valve handle	1	15	Handheld shower bracket	1
5	Water distributon valve body	1	16	Shower hose	1
6	Trim plate	1	17	Sealing tape	1
7	Handle gripe	1	18	Shower valve body spare parts	8
8	Switch handle	1	19	Lifting rod accessories	2
9	Shower arm flange	1	20	Core with Stop Function	1
10	Main shower arm	1			
11	Shower head	1			

◆ Installation Depth Of Shower Valve Body

Unit:mm/inch

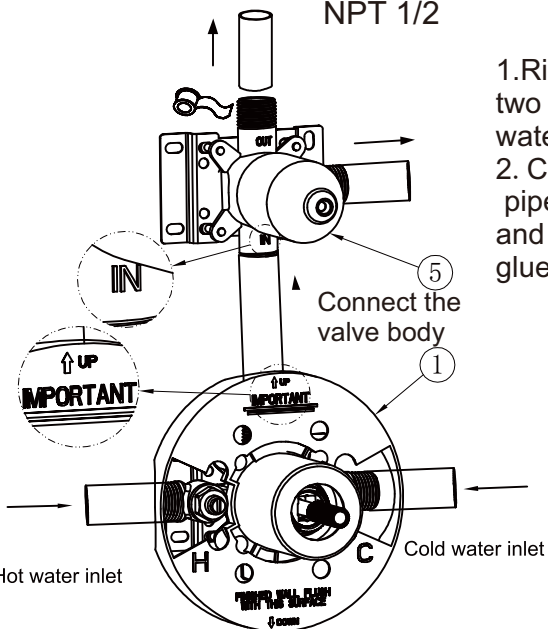


Notice: 1. The installation depth of the shower valve body should be no less than 2 9/16" (65mm) and no more than 3 3/8" (85mm), including the thickness of the tile. Otherwise, the trim plate cannot be installed.  
2. The opening size of ceramic tile shall be smaller than the trim plate size.

◆ Piping Instructiong Before Tiling

1.

Thread specifications:  
NPT 1/2

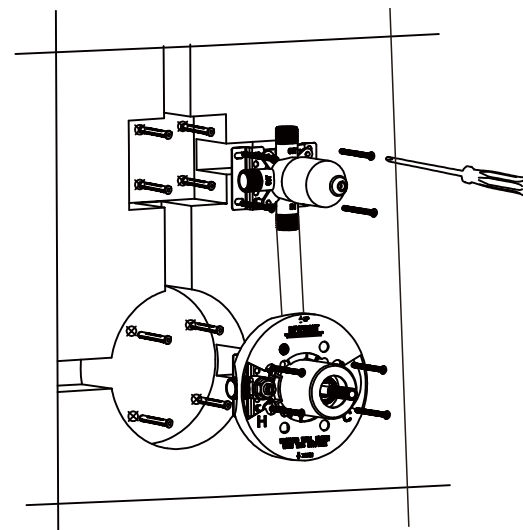


1. Rinse the sediment inside the two inlet pipes with pre-flushing water.
2. Connect the inlet and outlet pipes as shown in the diagram, and wrap the joint with sealing glue at the inlet and outlet.

Note that the inlet pipe of component 1 is hot on the left and cold on the right. Connect component 1 to component 5 in the direction shown in the diagram.

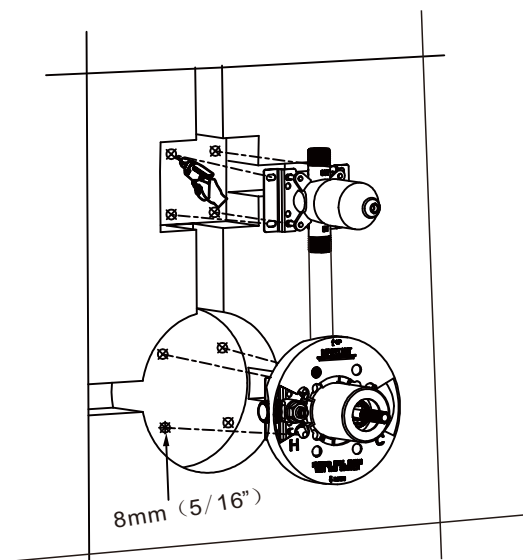
Connect the valve body

3.



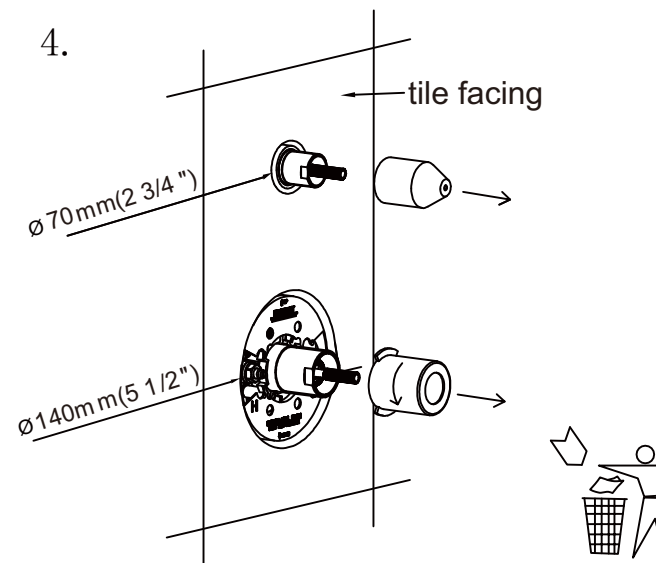
1. Expansion hose plugged into hole;
2. Slightly fix the main body to the wall with self-tapping screws;
3. Tighten the self-tapping screws after aligning the mounting box with a level.

2.



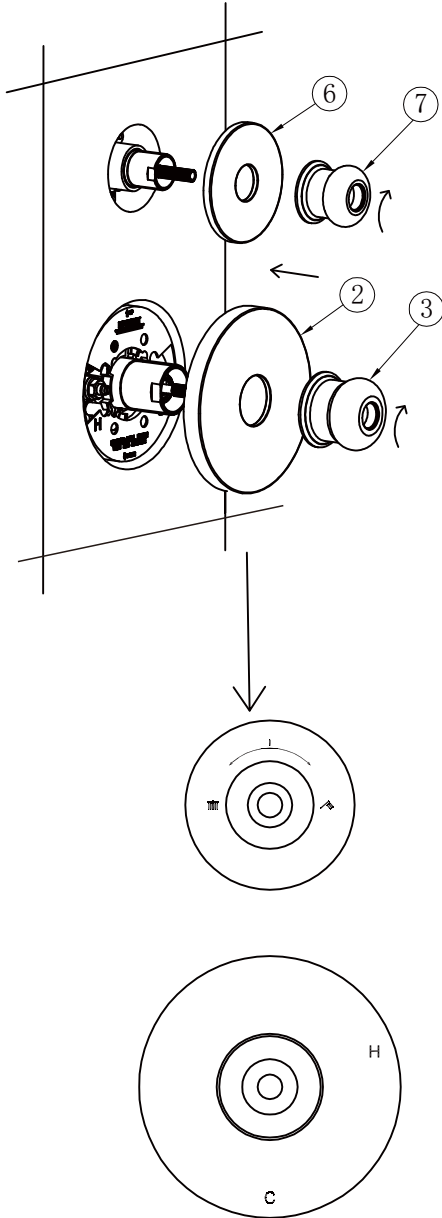
Marking the holes, and drill holes at the markings with an 8mm(5/16") drill bit.

4.



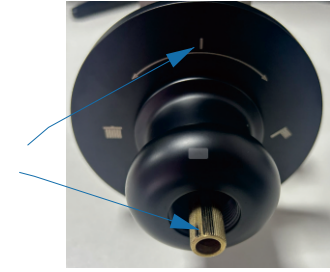
1. Tile openings to required dimensions;
2. Remove two covers after tiling the walls.

5. 1. Mounting plate and pressure sleeve;  
2. After locking, note the direction  
(function) of the two panel marking  
diagrams as shown on the right.

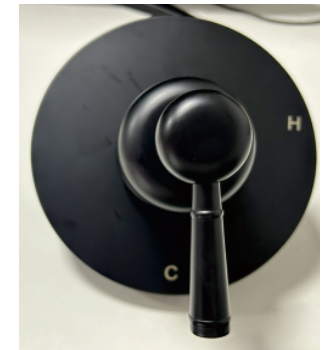
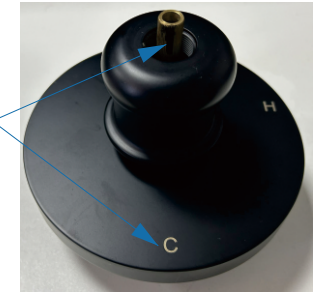


### 6. Handle mounting

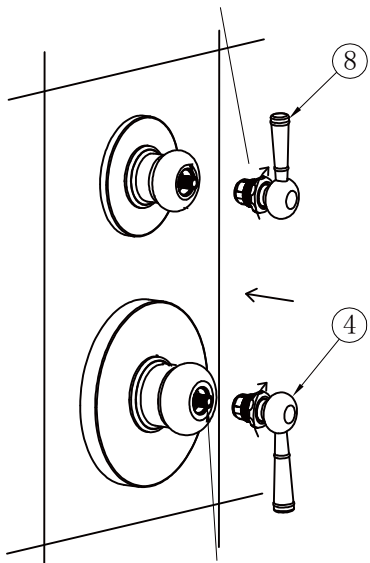
Alignment of the  
two market line



Spool stem marker  
aligned with panel "C"

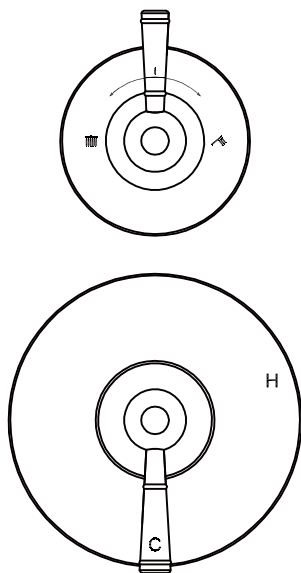


## 7. Screwdrivet

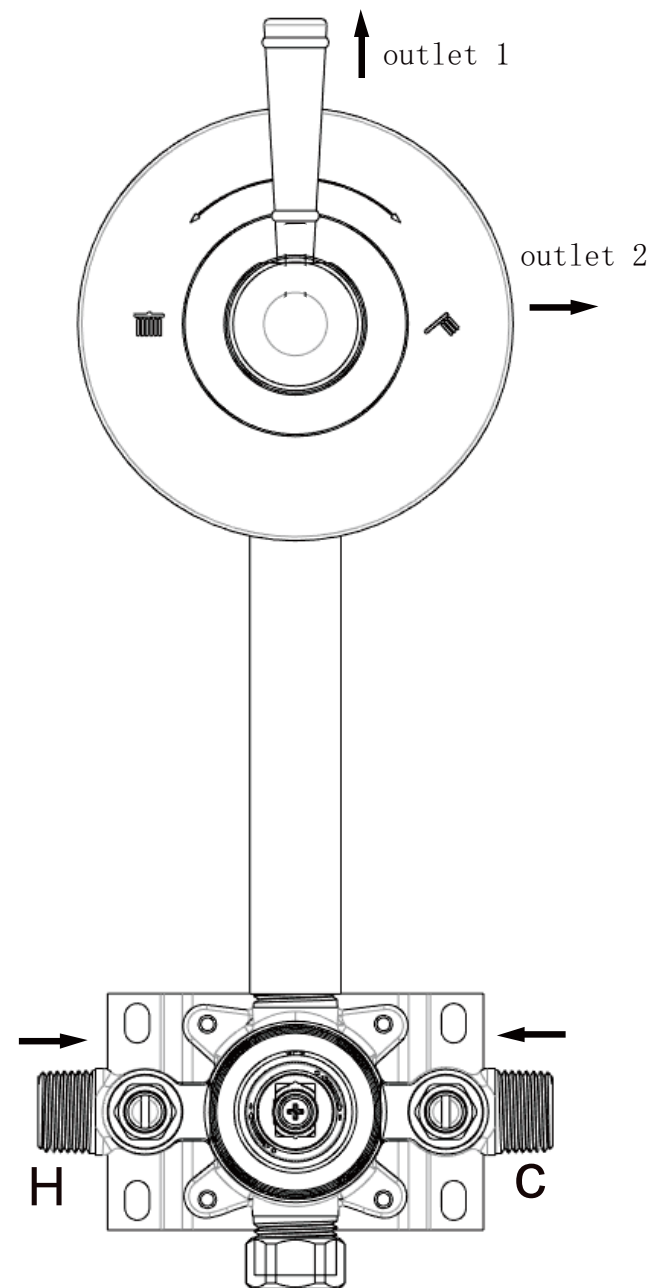


1. Align marking lines as shown;
2. Put on two handles;
3. Locking nut on handle.

## 8. Completion of the main installation



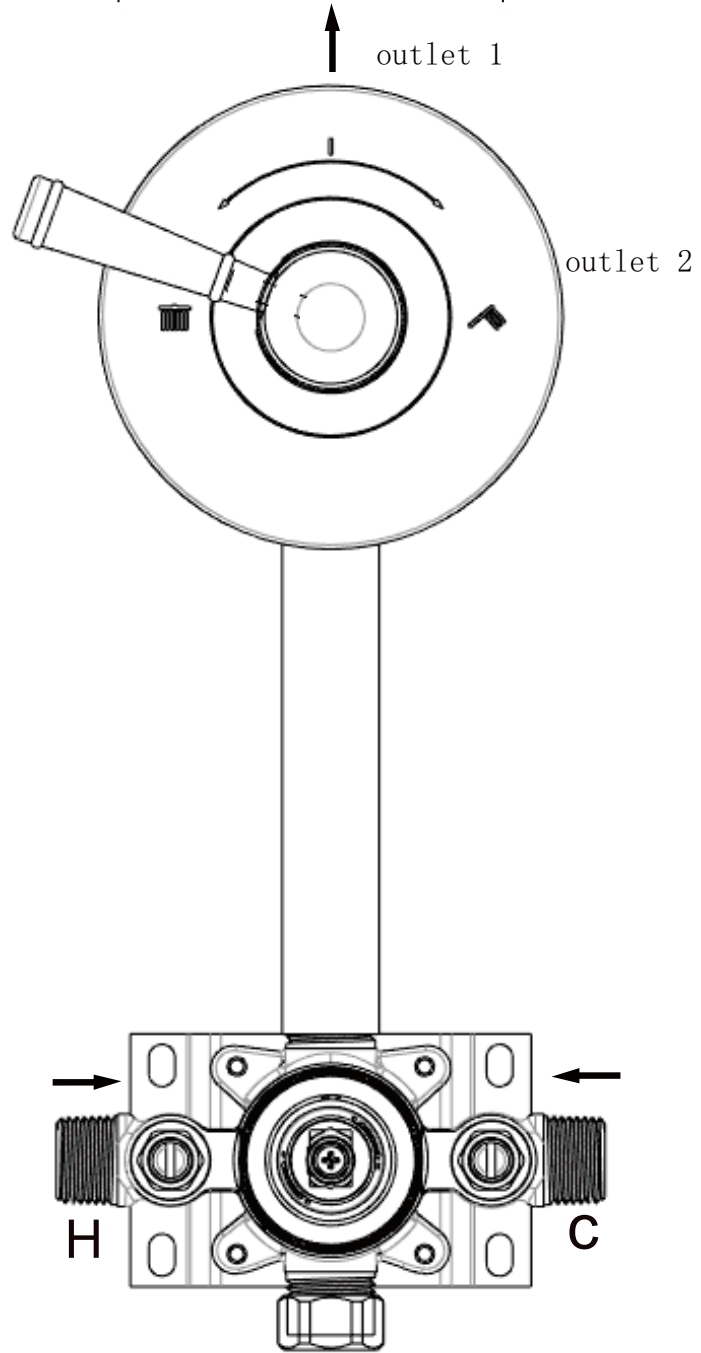
Adjust handle position to control flowing pattern.



water flow from outlet 1 & 2

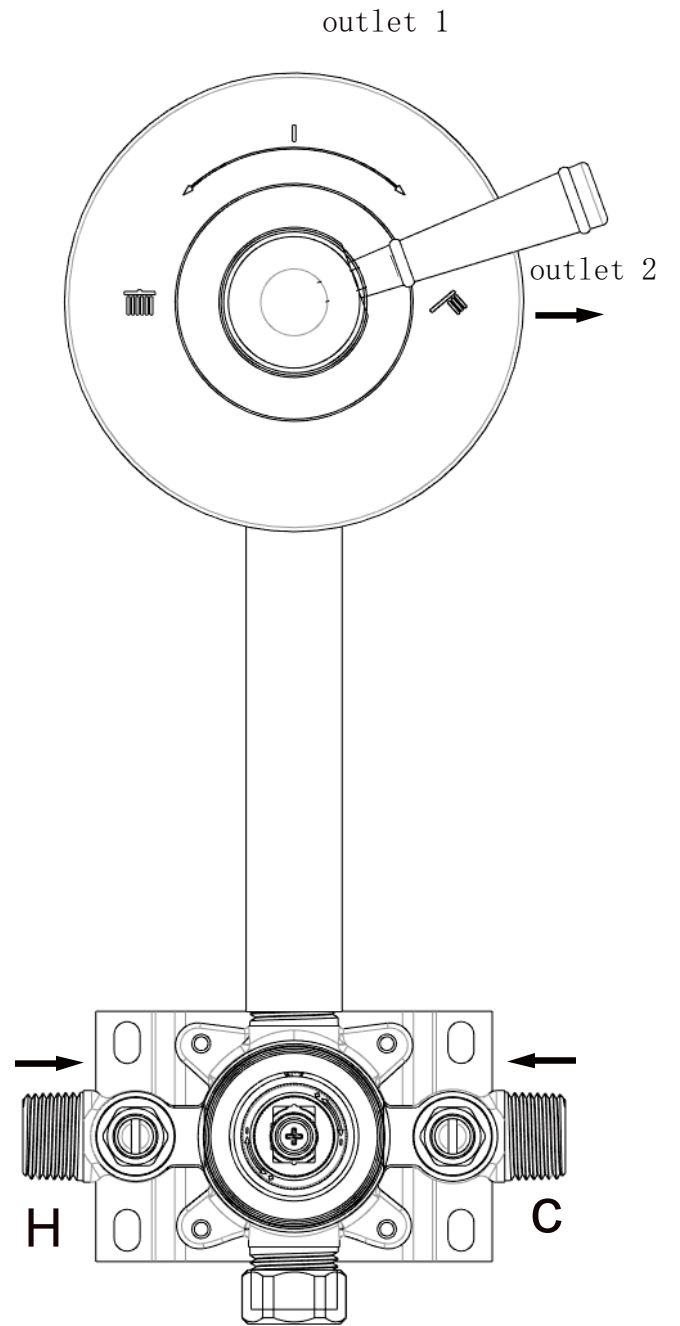
Fig. 1

Adjust handle position to control flowing pattern.



water flow from outlet 1

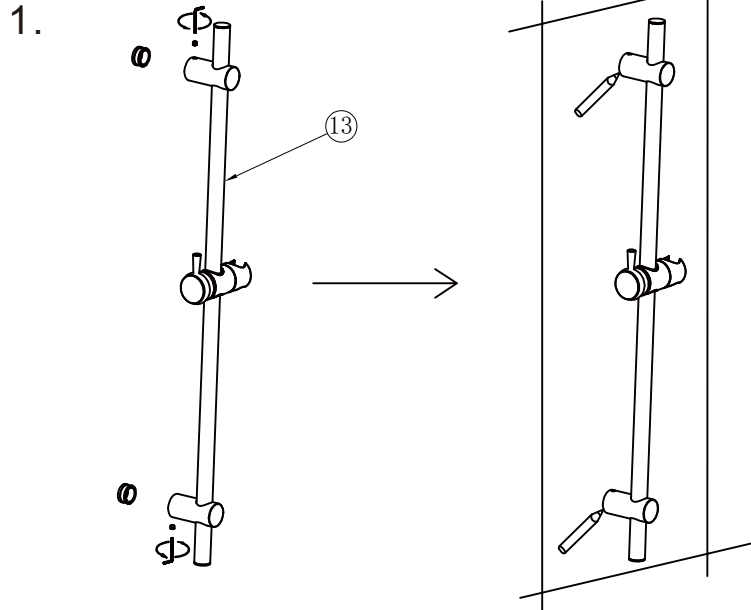
Fig. 2



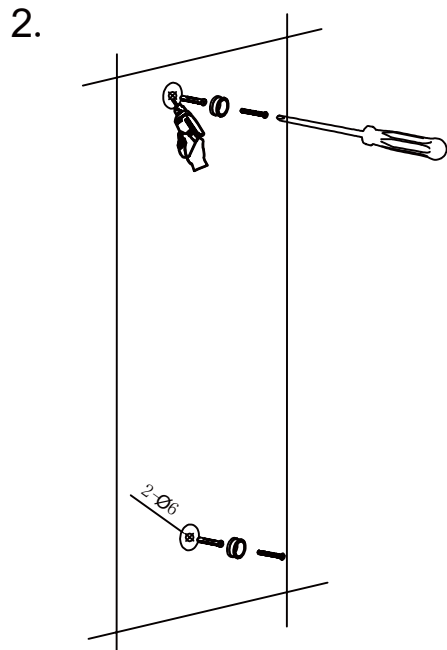
water flow from outlet 2

Fig. 3

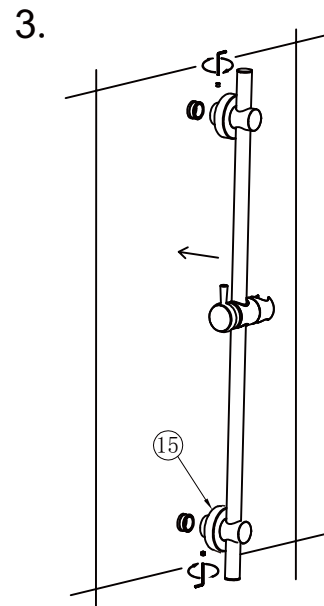
◆ **Lifting Rod Installation**



Remove the fixing seat of the lifting rod, and draw a line on the wall

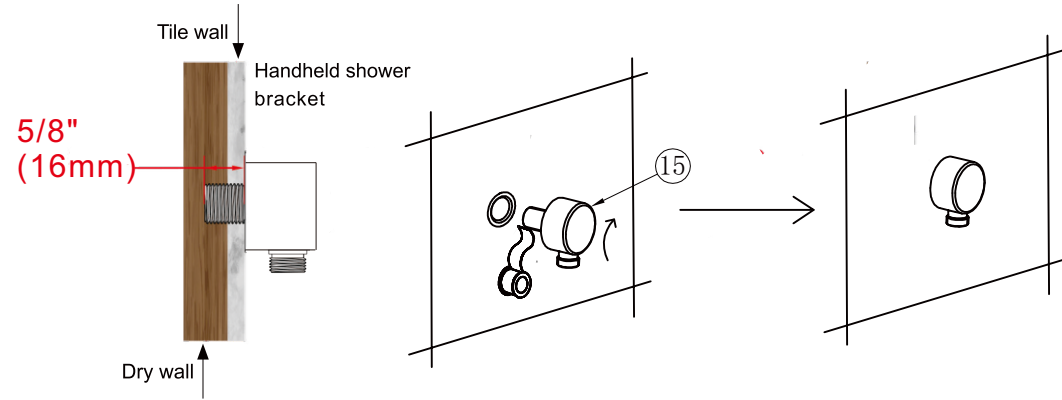


Drill holes in the center of the central wall and lock the fixing seat.



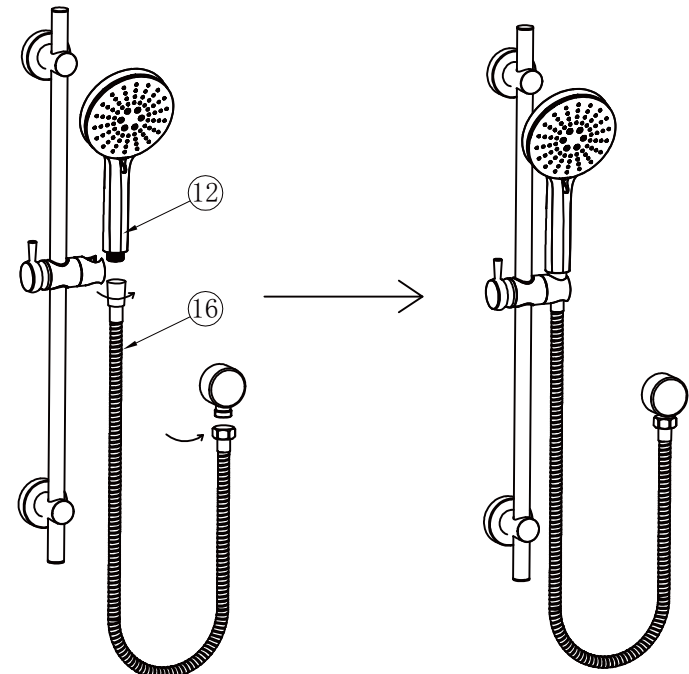
Install two decorative cups on the lifting rod, fix them on the wall, and tighten the screws.

◆ **The installation depth of handheld shower bracket**



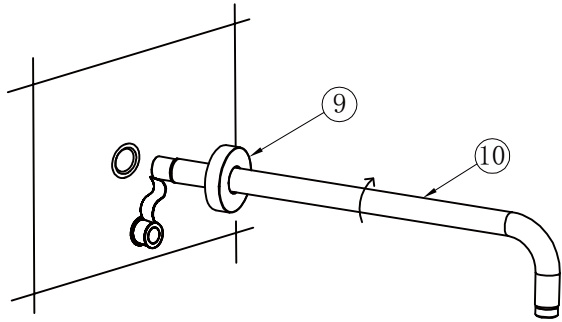
The thickness of the tile must be calculated for installation.  
Connector size of male thread: USA: 1/2"-14NPT. Canada: 1/2"-14NPT.

◆ **Complete the handheld installation of the hose**



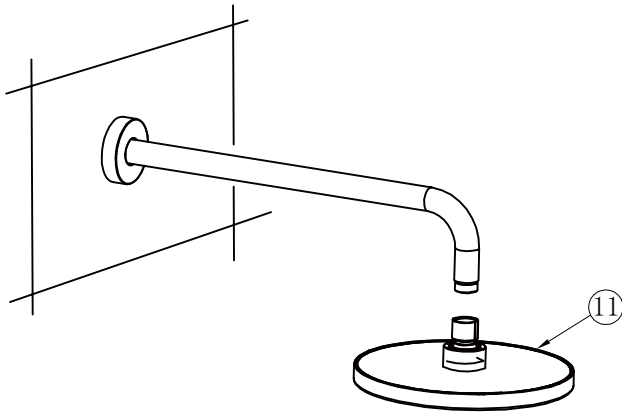
## ◆ Installation Of Main Shower Head And Shower Arm

1.



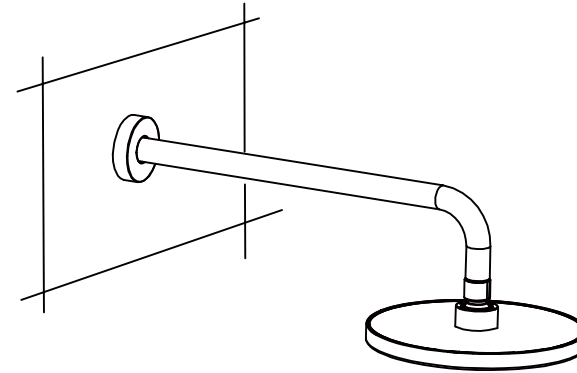
Wrap the threads of the shower head arm with teflon tape and screw it into the wall connection as shown in the images

2.



Wrap the threads on the opposite side of the shower arm and screw the shower head onto the arm.

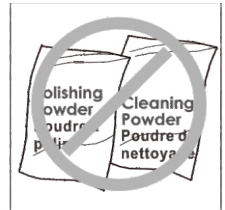
3.



Finished

### Do's

1. In order to keep the mixer surface bright, please clean the mixer regularly.
2. Rinse the faucet with clean water and wipe it with a soft cotton cloth.
3. Use one of the following cleaners to remove dirt from the surface:
  - a. Mild liquid cleaner.
  - b. Colorless glass cleaner and powder cleaner that do not cause abrasion and can be dissolved completely.
  - c. Polish liquid that does not cause abrasion.

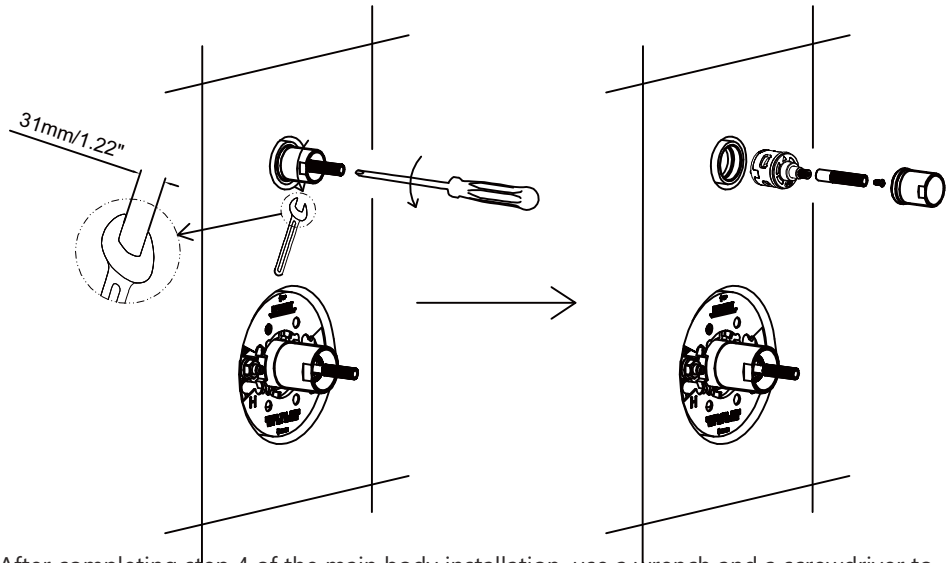


### Don'ts

- a. Avoid using cleaning powder, harsh cleaning chemicals, brushes and coarse cloth to prevent scratching and friction.
- b. Do not use acid cleaners to clean the faucet as they may cause surface corrosion of the faucet. If the faucet is exposed to harmful acid substances, please rinse it immediately with water.

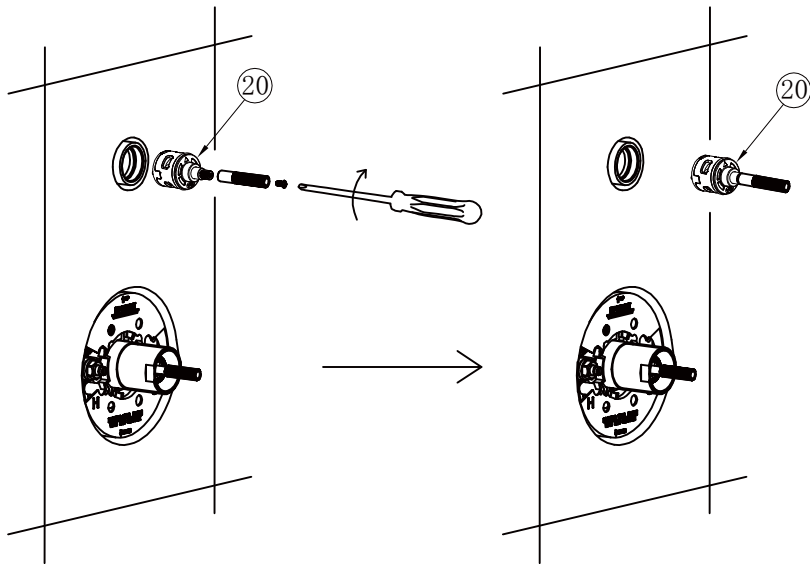
## Steps for Replacing the Valve Core with Stop Function

1.



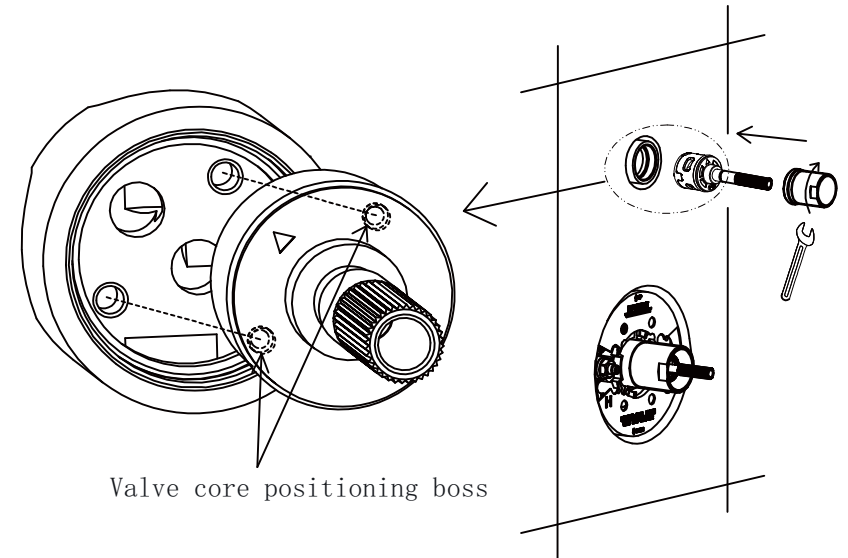
After completing step 4 of the main body installation, use a wrench and a screwdriver to respectively remove the pressure cover, the valve core, and the valve core connecting rod.

2.



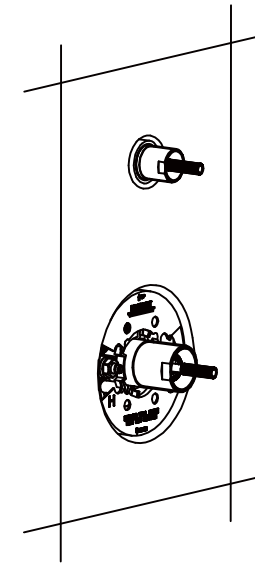
Replace the valve core removed in the previous step with a No. 20 valve core and install the connecting rod.

3.



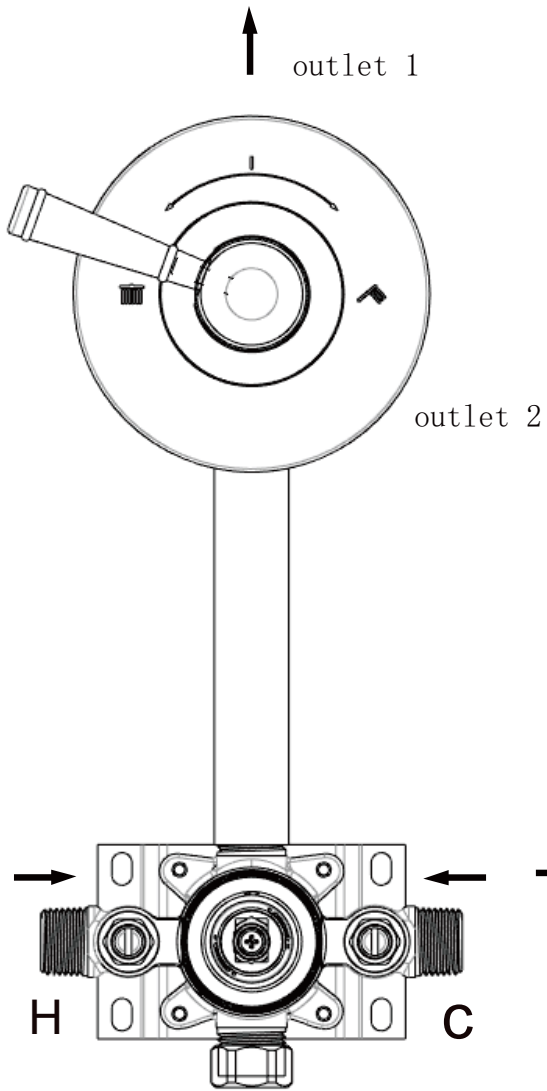
Align the valve core with the connecting rod installed with the positioning holes on the main body, install it properly, and lock the pressure cover.

4.



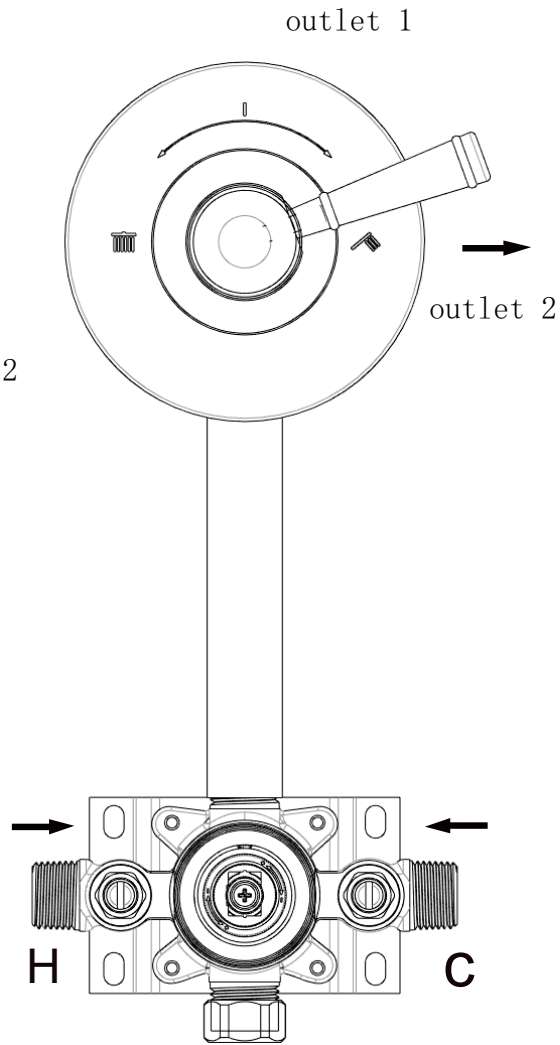
After completing the replacement of the water diversion valve core, continue to install according to step 5 of the main body installation.

After replacing the diverter valve core, adjust the handle position and control the flow pattern.



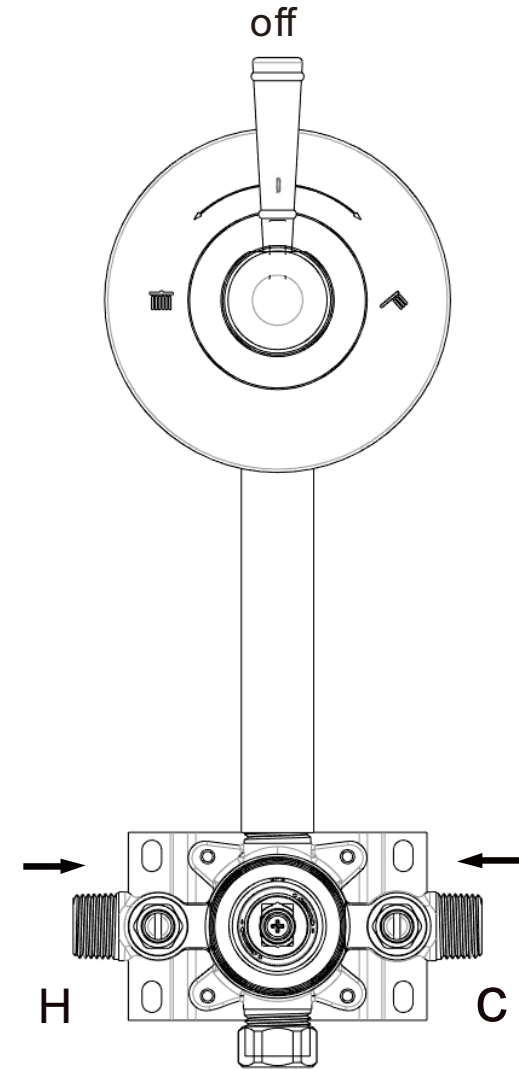
water flow from outlet 1

Fig.1



water flow from outlet 2

Fig.2



Disable feature

Fig.3