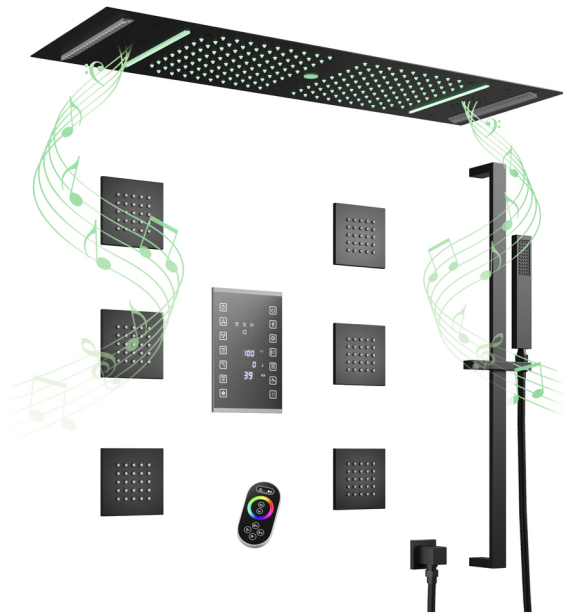


LED SHOWER

INSTALLATION INSTRUCTION
BR01011HHCK



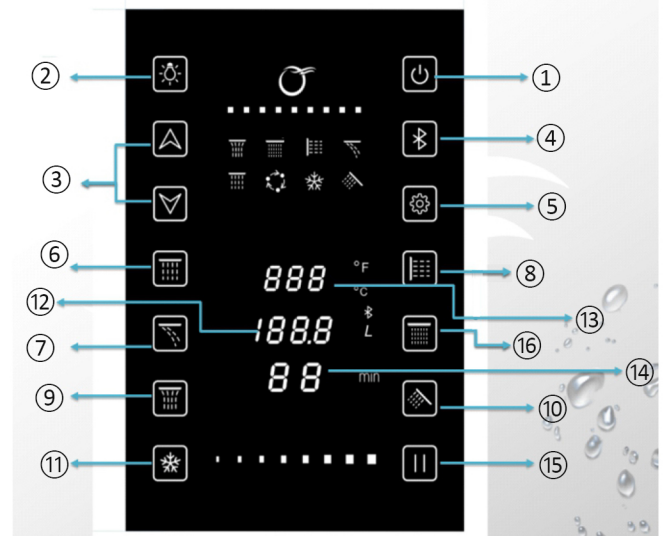
Installation method

Before Installing

(1) 6 Function thermostatic control

Instructions before use

1. Touch panel should not be installed in direct exposure of water
2. Function key is touch sensitive
3. The panel is waterproof and shock proof when the two functions touch together it pause for 2sec



- | | |
|------------------|---------------------------|
| ① Power on/off | ⑨ Column shower |
| ② LED Light | ⑩ Hand shower |
| ③ Up/Down Key | ⑪ Cold water |
| ④ Bluetooth | ⑫ Water Discharge Display |
| ⑤ Setting | ⑬ Temperature Display |
| ⑥ Side rain fall | ⑭ Time Display |
| ⑦ Water Fall | ⑮ Pause |
| ⑧ Body jets | ⑯ Rain fall |

1

Installation method

(2) 6 Function thermostatic control

Before Installing

Brief Introduction to function

1. Easy navigation Light
2. Bluetooth
3. Shower Control
4. User Memory

Operation

1. Navigation Light doesn't need to be capitalized use.
2. When powered on within 60 min of last use, the system will show last user setting. To select different user setting, press up or down on navigation key.
3. User can set their desired temp, flow per minute, and LED light.
4. If Control Panel used within 60 minutes by the same user, there is no need change this. It will show by default last User Setting. To Select different user use key ▲ or ▼ to select.
5. When ⏻ is touched, it starts countdown, within that time if the control panel is touched again the timer is reset and starts again.
6. 🌞 The default lighting for the showerhead is remote control (with separate matching). If you want to connect it to the touch screen control, you can have the electrician connect the wiring to the control box of the touch screen, and a separate set of wires is reserved for the lighting.

Bluetooth

Bluetooth operation: Search for "Music shower system", Once connected play song on your mobile to enjoy.



1. Turn ON/OFF
5. Mode Switch
2. Color Touch Ring
- 3/6. Color Temperature adjusting
- 4/8. Dynamic Speed adjusting
- 7/9. Dynamic Brightness adjusting

2

Touch remote use instruction

1. Touch remote has 64 touch keys. Each essential function is below:
Pause: on the dynamic mode. You can make the controller stop the current state now.
2. Power supply management:
Stop using the remote for more than 20. The remote will enter the standby state (untouchable state); slightly shake once. Then, the remote will come back to the normal working state (touchable state)
3. Indicator light instruction:
Slightly shake once. Then the remote will come back to the normal working state (touchable state)
The remote is idle or signals when the bright PWR is off. Then means the remote is in a standby state;
RF is bright. Which means the remote is sending the signal. Off means there is no signal sending.

Selection of Shower

After Switching-on Touch [Icon] for side rain fall

Touch [Icon] for column shower

Touch [Icon] for water fall

Touch [Icon] for body jets

Touch [Icon] for rain fall

Touch [Icon] for hand shower

The touch screen can open three functions at once, but if Waterfall is turned on, only two functions can be turned on simultaneously.

Touch [Icon] icon for pause the water outlet. Touch again or the corresponding spraying key will open the suspended spraying mode again.

Temperature setting

Once shower is on, touch [Icon] till °C flash, use ▲ and ▼ to get desired temperature. Range of Temperature 25-45°C (77-113°F).

To select temperature in Celsius or Fahrenheit

After power on touch [Icon] to select the desired selection.

Over Temperature

When temperature of water increases more than 49°C (120°F) all the shower option will cease to work with in 3 SEC.

3

Flow setting

Once shower is on touch till icon is activated, Touch and to get desired flow per minute, flow setting level is 1-8.

Power On Setting

Once power on is on touch till icon is activated, Touch and to get desired uptime. Range of power on setting is 1-60 minutes.

Technical Specification

Technical Specification			
Rated Voltage	AC100-240V	Rated Frequency	50~60Hz
Rated Current	0.25A	Rated power	50 W
Insulation Resistance	>20MΩ	Waterproof	IPX5

Load Configuration Parameter			
Type of Load	Rated Load Voltage	Rated Load Frequency	Rated Load Power
Chroma therapy Light	DC 12 V		10W
Solenoid Valve	DC 12 V		6x5W
Speakers			8Ω/5W

Dimension(LxWxH)	
Panel	197x136x50
Electric Cabinet	415x235x60

General Home appliance safety to be Implemented

Fault alarm code

Alarm code	Alarm name	Alarm reason	Alarm detail
E2	Communication Error	Short circuit, Driver Fault or CPU I/O port is damaged	IF there is no connection for 5s or more system will show E2 Alarm and it will close all the function to protect the system. Check the cable connection
EE	Temperature Sensor Malfunction	Faulty Sensor or CPU I/O part is damaged	IF there is no connection with Shower and faucet for 5s or more system will show EE Alarm and it will close all the function to protect the system. Check the cable connection

4

Installation method

(3) 6 Function thermostatic control

Installation

Step1: Open the hole on the relevant position of steam room or shower room according to the Figure 1 size. (Note: size allowance within ±0.5mm/0.02 inch)

Step2: Take out the control panel, insert it to the hole.

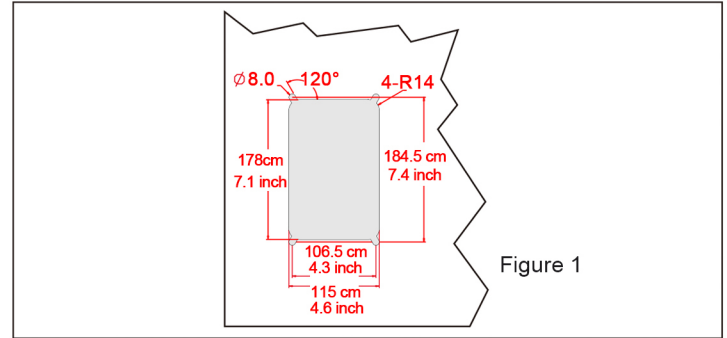


Figure 1

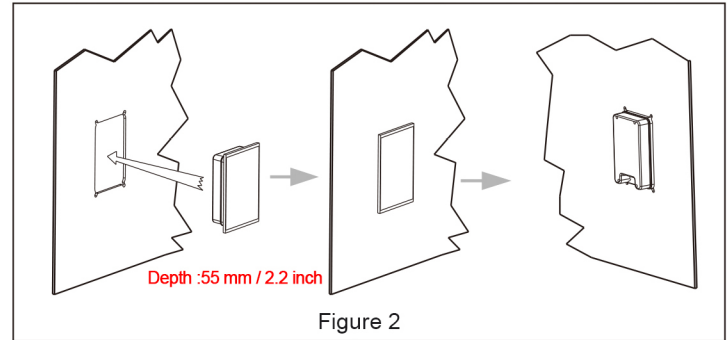


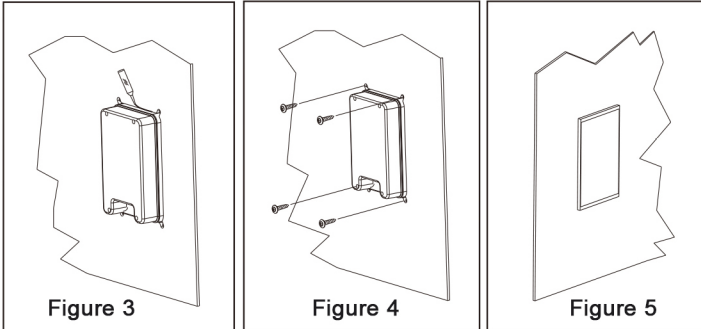
Figure 2

Step3: Insert the control panel, equally smear one glass cement or other good glue on the round of the back hole, see figure 3.

5

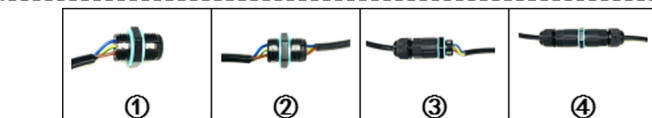
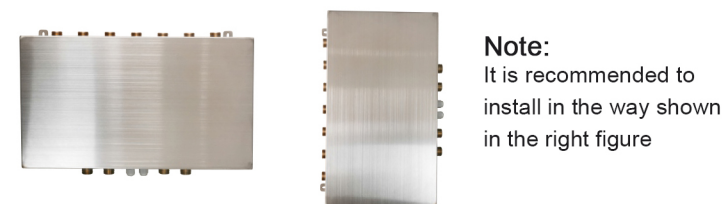
Step4: Using four screws screwing in four installation pole of the control panel, screws size is M3x12 and should be with 12 spacer, see figure 4.

Step5: Cleaning the glue on the face of the control panel.



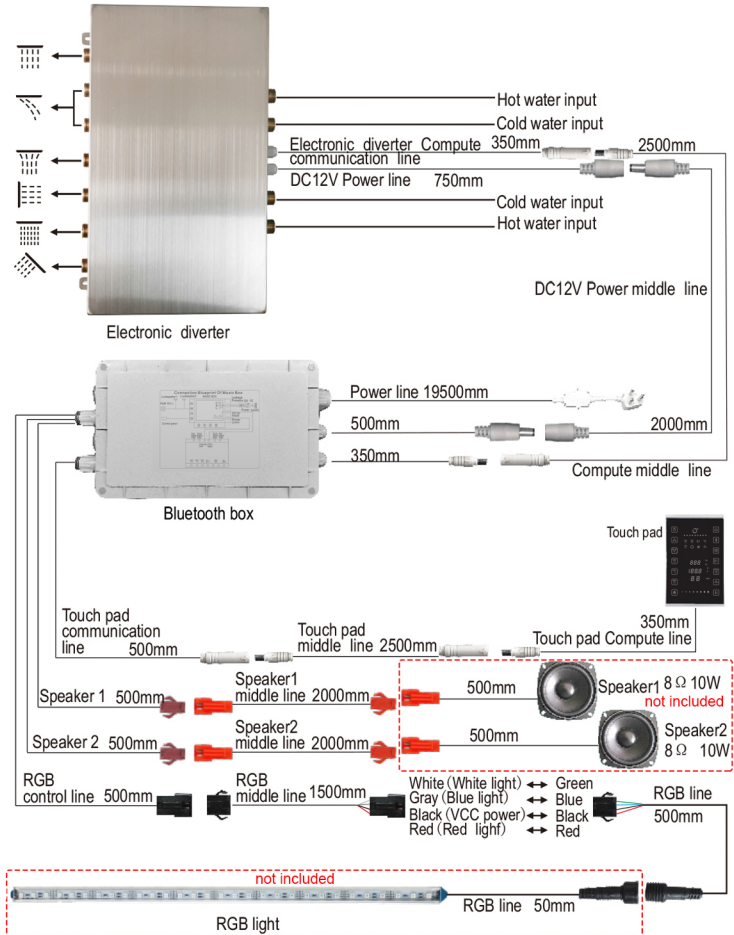
Step6: Install the host box outside of the steam room or shower room, connected all the wires between control panel and host box or other equipments, and then can use this product according to the user manual.

Electronic diverter complete machine connection diagram



If you want to connect the top spray light control to the control panel control, you can follow the following tutorial for wiring, but the original remote control will fail.

6



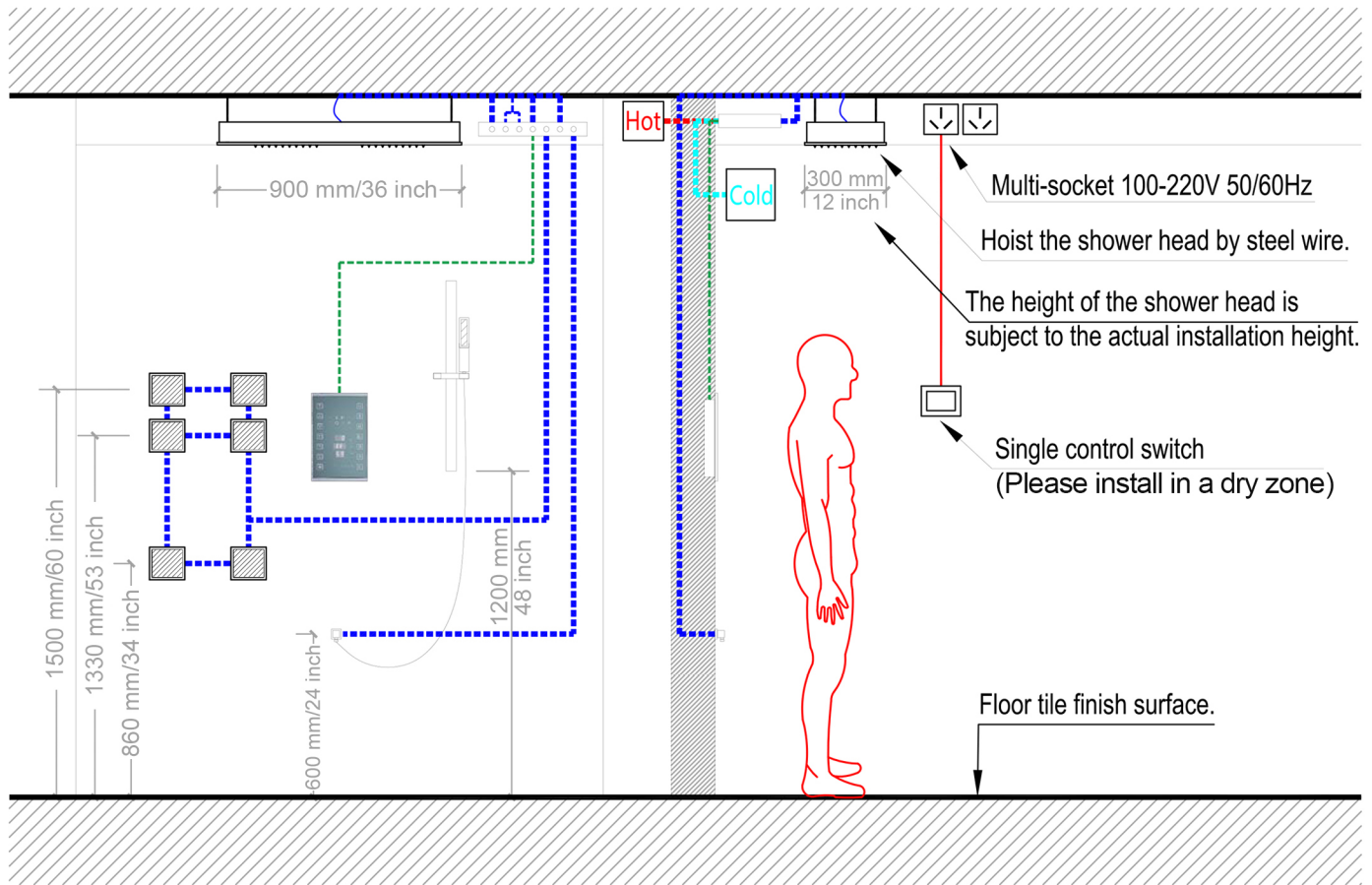
The showerhead section already has independent lighting and Bluetooth sound system, so the accessories with red wire frames are not included in this set. The lighting and Bluetooth control switches reserved on the control panel are reserved for external lighting and music systems. If needed, they can be wired or reserved for backup.

7

Layout for power/water pipe

Before installation, plan the pipe groove in the required position for the product according to the actual installation location of the wall and ceiling.

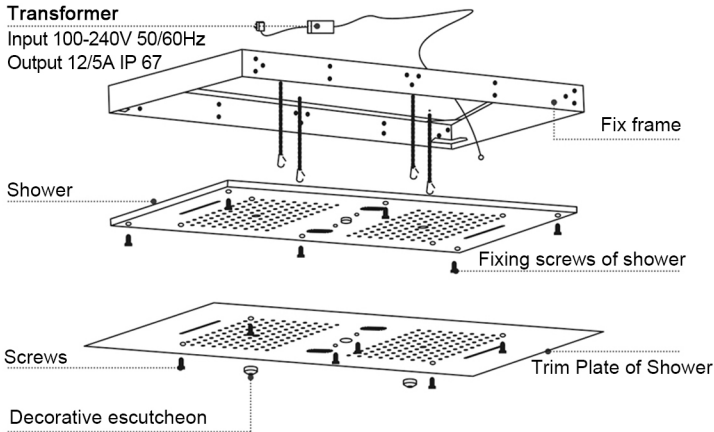
(The following grooves are for reference only, and the actual location depends on individual needs)



Luxury LED Shower spare parts Identification chart

Transformer

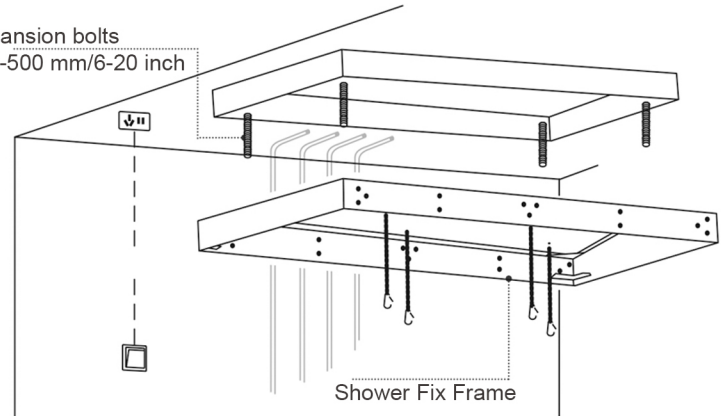
Input 100-240V 50/60Hz
Output 12/5A IP 67



Luxury LED Shower spare parts method

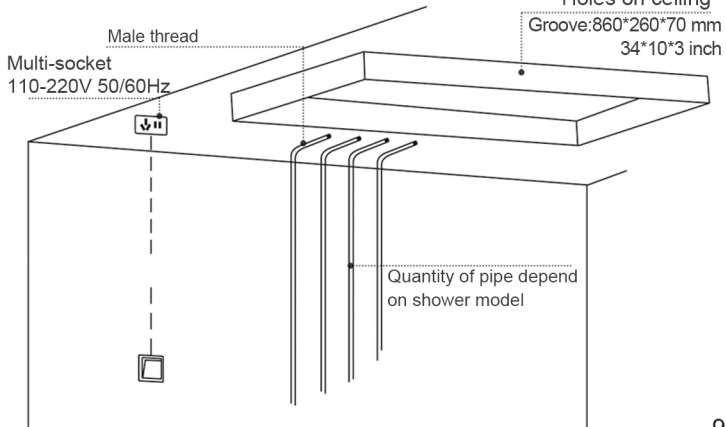
(2) Shower installation fixed frame

Expansion bolts
150-500 mm/6-20 inch

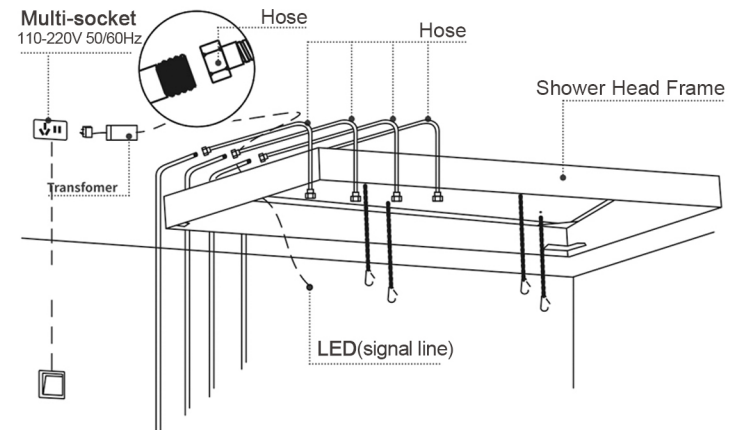


Luxury LED Shower spare parts method

(1) Power / water pipe-layout



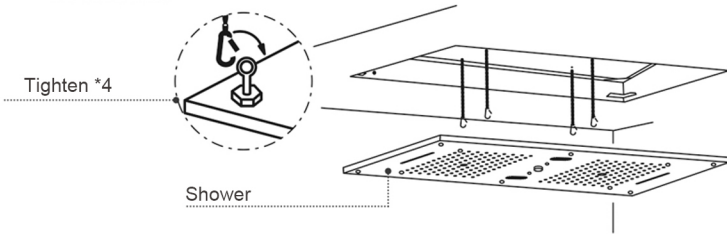
(3) layout for powder / water pipe



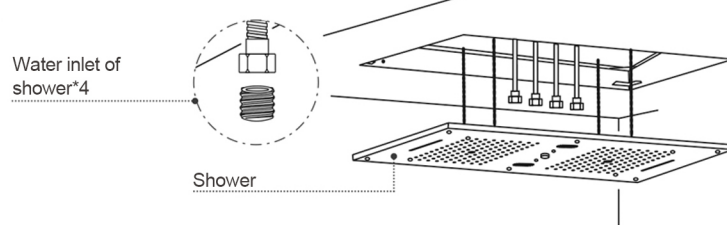
The showerhead has an LED light and Bluetooth music system. If you want to use your own light or speaker, you can connect them with the shower valve, which comes with cable wires as spare parts.

› Luxury LED Shower spare parts method

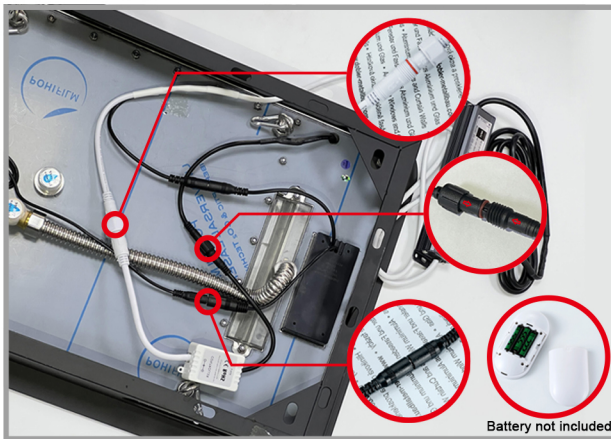
(4) Install Shower



(5) Connect the water inlet pipe



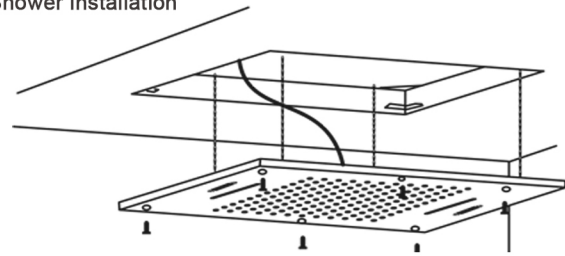
(6) Connect LED(signal line)



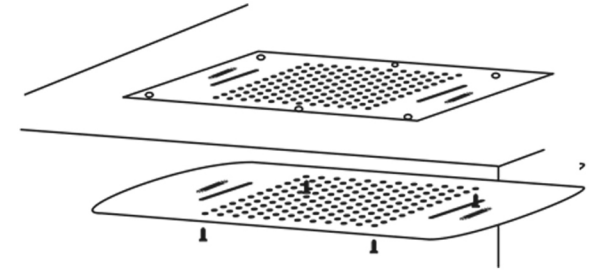
11

› Luxury LED Shower spare parts method

(7) Shower installation

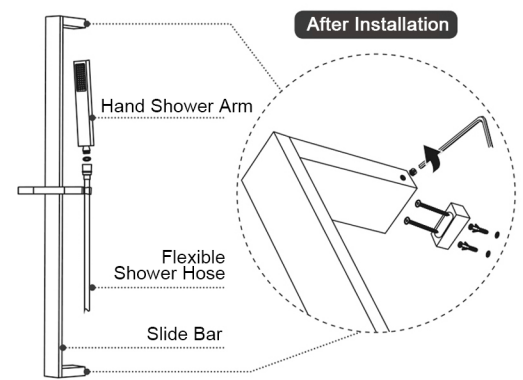


(8) Fix the decorative panel of shower



› Installation method

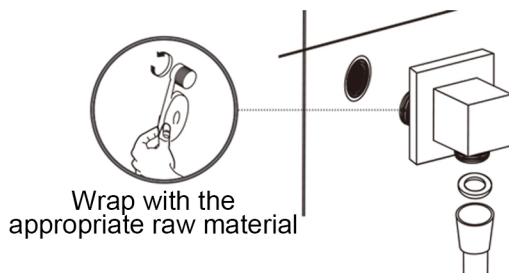
(9) Slide Bar



12

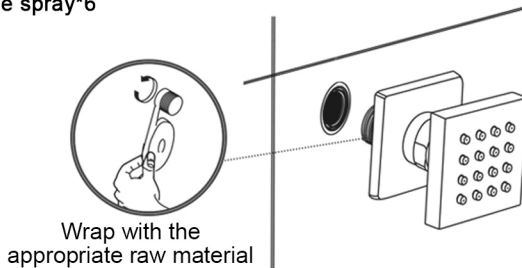
› Installation method

(10) Water outlet connector



Installing on the required outlet pipe

(11) Side spray*6



Installing on the required outlet pipe

› USER MANUAL

Main parameter:
Panel controller:
Wording Temp.: -20~60°C (-4~140°F)
Supply Voltage: DC12-24V
Size: 150*W35*H23mm
Output: 3Channel
Output Current: <2A(each channel)
Connection mode: common anode

Touch Remote:
Wording voltage: 1.5V~3V
Emission current: 10mA
Working Current: 300uA
Standby Current: 3uA
Standby time: 6 months
Control distance: L20M
Color pulley point: 60

13

Mode:

NO.	FUNCTION	REMOTE
1	Static red	Brightness is adjustable Speed is unadjustable
2	Static green	
3	Static blue	
4	Static purple	
5	Static blue-green	
6	Static yellow	
7	Static white	
8	R G B Jumping	Brightness is adjustable Speed is adjustable
9	R G B Gradual	
10	7-Colors Jumping	
11	7-Colors Gradual	

Controller connections shown:

Touch remote use instruction:

Remarks:

1. This product should be commissioned and installed by qualified professional.

2. This product can not be waterproof, need to avoid sun and rain, if installed outdoors, please use waterproof box.

3. Good heat dissipation conditions will extend the life of the LED controller, please install the product in a well-ventilated environment.

4. Please do not install or use such products in lightning, thunder, strong magnetic or high voltage applications.

5. Please check whether the output voltage of the LED power supply used meets the product voltage range requirements.

6. The diameter of the wire used must be sufficient to load the connected LED luminaire, and ensure that the wiring is firm, to avoid the wire overheating or poor contact triggers the accident.

7. Before power-on debugging, ensure that all wiring is correct to avoid damage to the luminaire due to wiring errors.

14