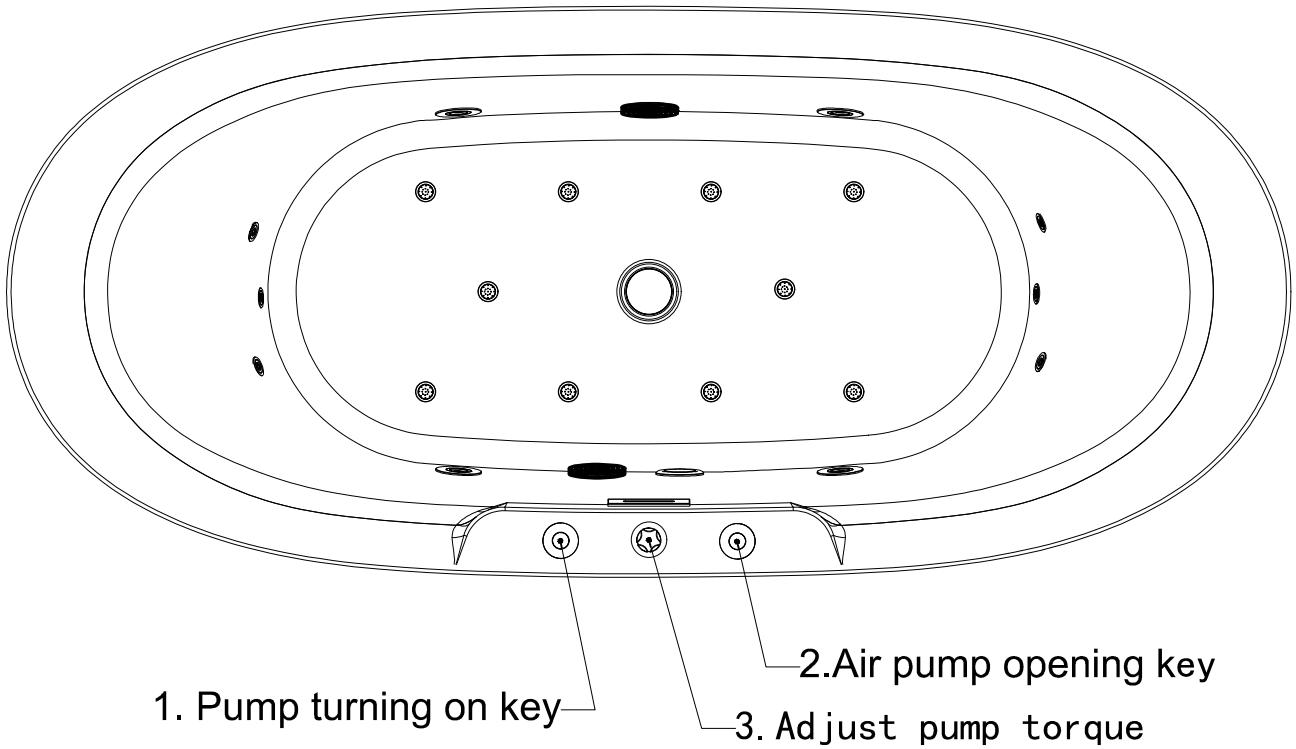


# Whirlpool operating instructions

---

GD-8305B-180



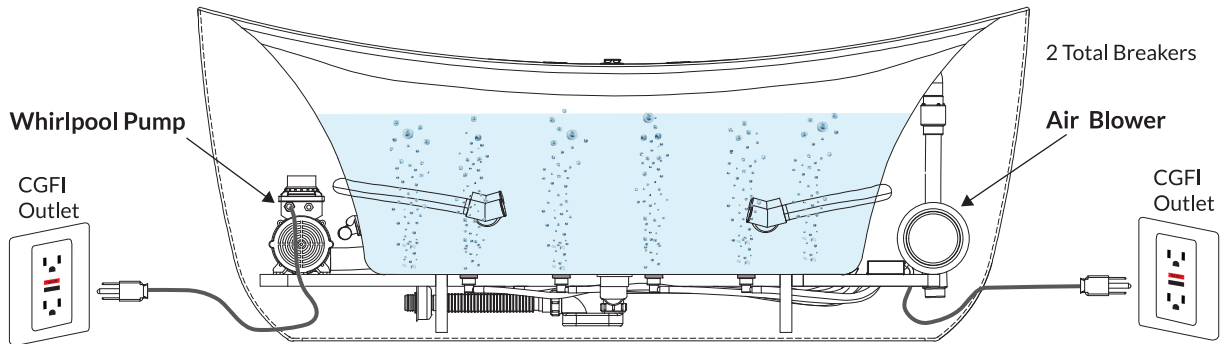
- A. 1 for the water pump switch, press once to open and then press once to close
- B. 2 for the air pump switch, press once to open, then press once to close
- C. 3 adjust the torque of the pump, turn the massage to the left to weaken the strength, and turn it to the right to strengthen it

# INSTALLATION GUIDE

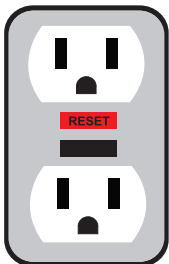
## MODELS : **GD-8305B-180**

### Size : 1800×800×720

Votlage / Hz	Power	Current
110V / 60HZ	1.05KW	10 A



**120V 15AMP  
Dedicated  
GFCI Breaker**

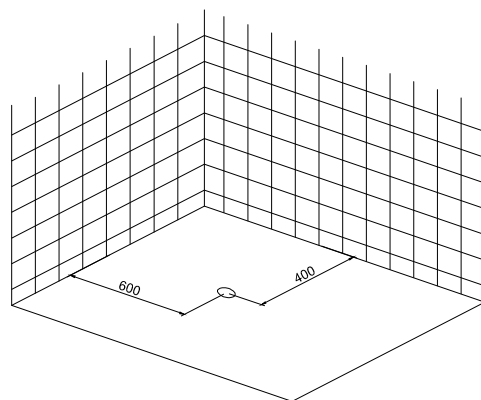
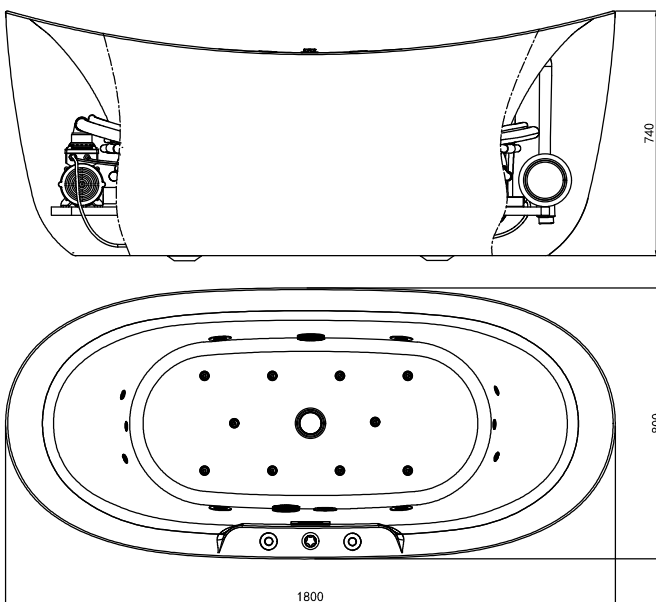


In the example above, there are 2 Dedicated 15AMP 110V GFCI Breakers.

1. One (1) Dedicated GFCI Breaker for the Whirlpool Pump
2. One (1) Dedicated GFCI Breaker for the Air Massage Blower

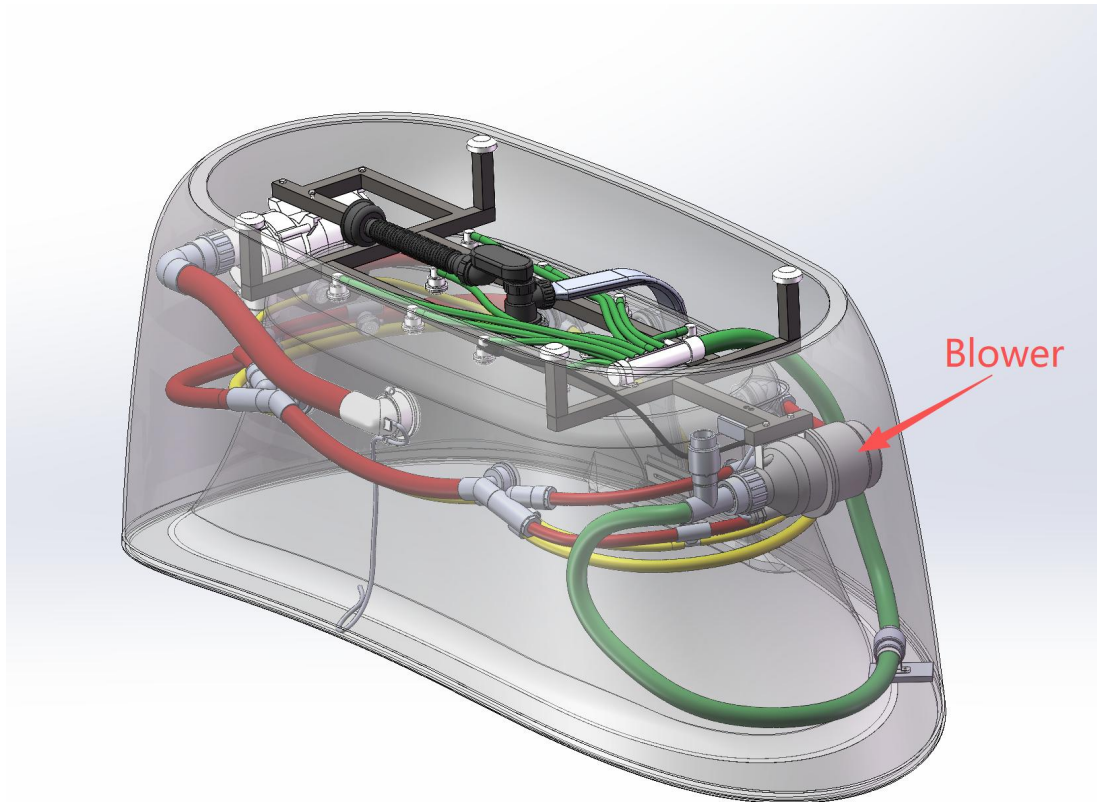
**Each Accessory Requires a Dedicated 120V 15AMP GFCI Breaker.**

**THESE CANNOT BE SHARED**



**Floor-layout**

# Acrylic Massage Bath – Blower Disassembly Manual



## 1. Safety Preparations

### 1.1 Power Off

- Disconnect the blower power cord, **or** switch off the corresponding circuit breaker.
- Ensure no power supply is connected during the entire operation.

### 1.2 Drain the Bathtub

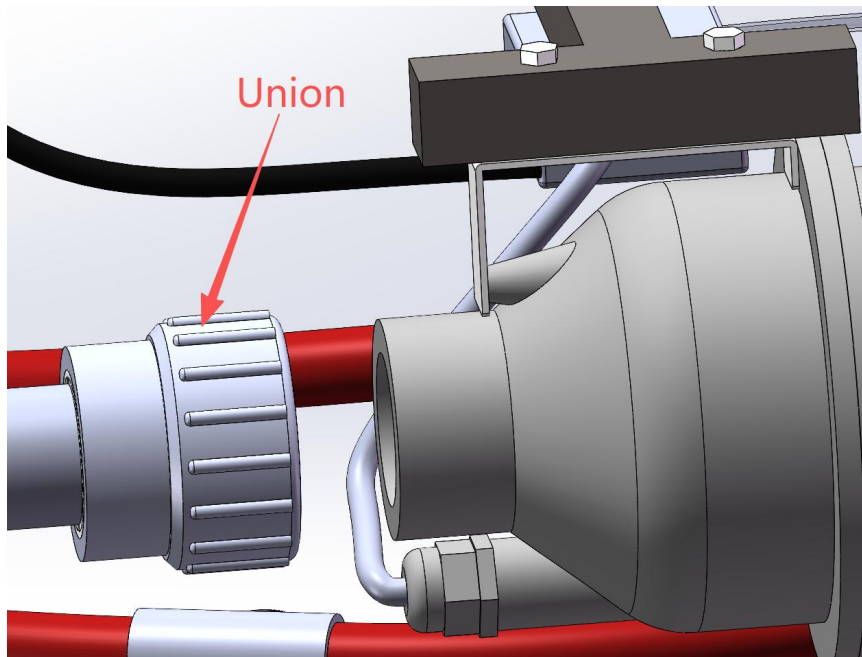
- Make sure the tub is completely drained.
- This prevents residual water from flowing into the blower area during removal.

### 1.3 Prepare the Tools

- Adjustable wrench

- Phillips screwdriver
- Flat screwdriver (if needed)
- Cloth or towel to absorb water
- Flashlight (optional)

## 2. Blower Disassembly Steps



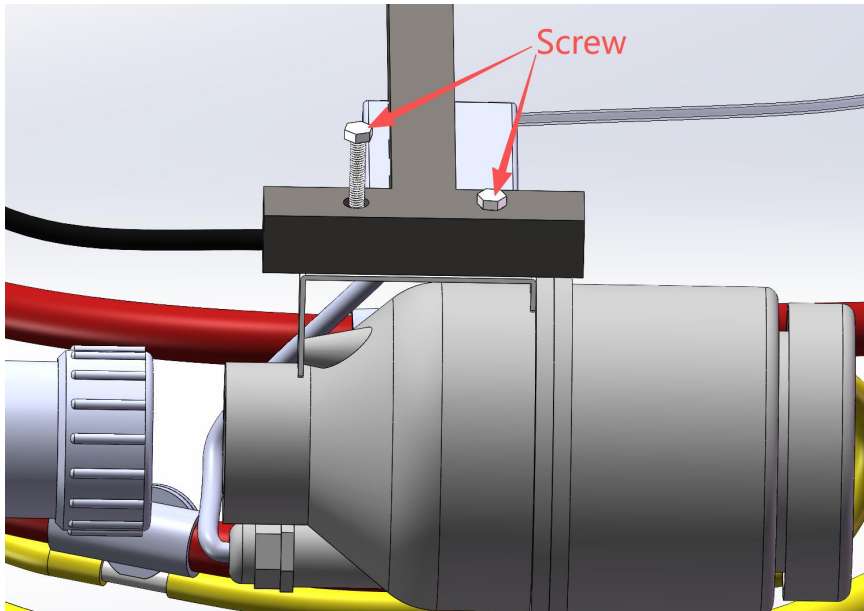
### 2.1 Disconnect the Air Pipe

1. Locate the **union joint** between the blower and the air pipe at the bottom of the bathtub.
2. Use an adjustable wrench to **slowly loosen** the joint.
3. Carefully pull the air pipe away from the blower outlet.
4. Use a cloth to wipe away any moisture around the joint.

⚠ **Tip:** Support the pipe while loosening the nut to avoid bending or cracking the fitting.

## 2.2 Remove Blower Fasteners

1. Identify the screws or bolts securing the blower to its mounting base.
2. Use a screwdriver or wrench to remove all fasteners.
3. Keep all screws in a safe place for reassembly.



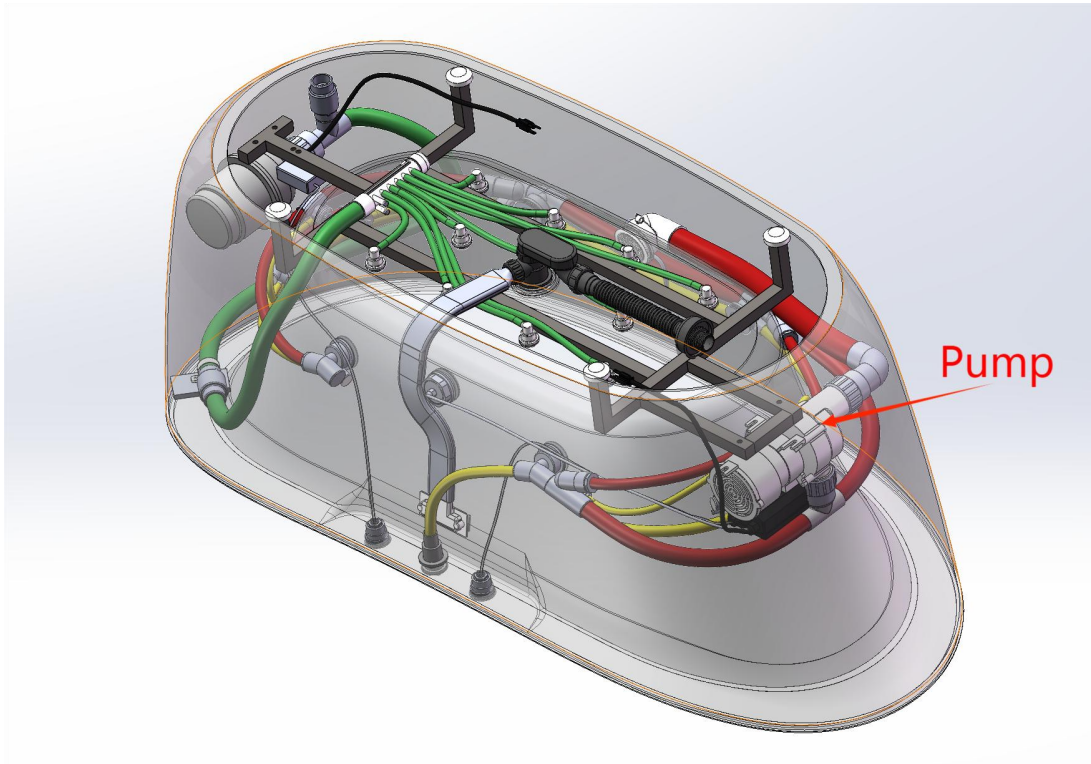
## 2.3 Remove the Blower Unit

1. Hold both sides of the blower and **gently slide it out** of its installation position.
2. Avoid pulling any wires or pipes sharply.
3. Clean any dust, dirt, or water residue left on the base.

## 3. Notes & Safety Reminders

- Do not operate the blower when removed from the system.
- Avoid water contact with electrical parts during disassembly.
- If wires appear damaged, do not reconnect without professional assessment.
- Reinstall pipes carefully to ensure airtight sealing.

# Acrylic Massage Bath – Water Pump Disassembly Manual



## 1. Safety Preparations

### 1.1 Power Off

- Disconnect the pump power cord, **or** switch off the related circuit breaker.

### 1.2 Drain the Bathtub

- Ensure the tub is completely drained before removing hoses.

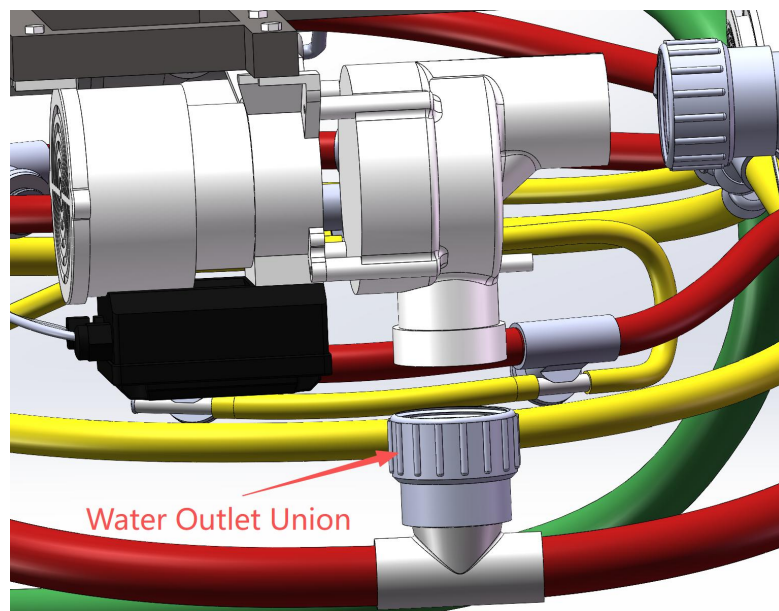
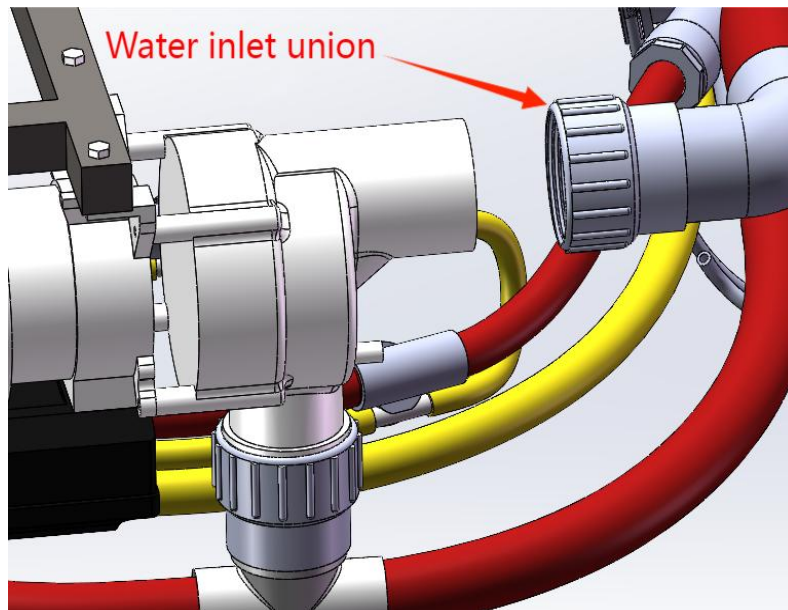
### 1.3 Prepare Tools

- Adjustable wrench
- Screwdrivers
- Cloth / towel
- Bucket (optional, for any remaining water)

## 2. Pump Disassembly Steps

### 2.1 Disconnect the Water Pipes

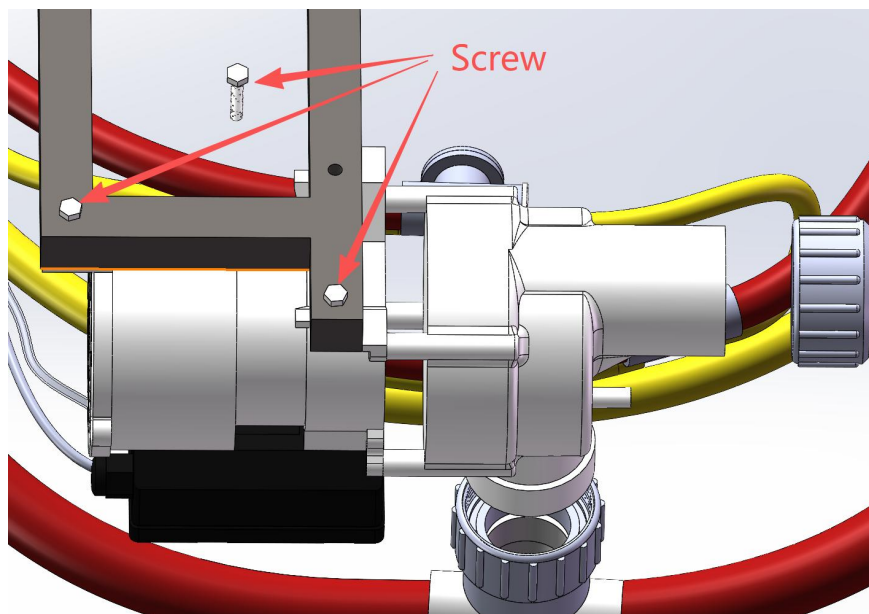
1. Locate the **inlet and outlet flexible connectors** attached to the bottom of the bathtub.
2. Use an adjustable wrench to **loosen the nuts** on both pipe ends.
3. Carefully remove the pipes from the pump, ensuring no excessive force is used.
4. Place a cloth to collect any remaining water.



### 2.2 Remove Pump Fasteners

1. Find the screws or bolts that secure the pump to its base support.
2. Use the appropriate tool to remove all fasteners.

3. Store all screws/bolts safely for reassembly.



### 2.3 Remove the Pump Unit

1. Support the pump with both hands and gently **slide it out** from its mounting position.
2. Clean the base area and check for debris or damage.

### 3. Notes & Safety Reminders

- Do not allow water to splash onto electrical wiring.
- Check the motor wiring for looseness or burn marks before reinstallation.
- Ensure all gaskets and connectors are reinstalled firmly to prevent leakage.
- If unfamiliar with electrical components, request assistance from a qualified technician.