



Instruction Manual Rain Shower System

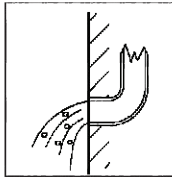
CONTENT

1:INSTALLATION CONDITION	1page
2:PRODUCT PHOTO	2page
3:PRODUCT LIST	3~5page
4:MODEL: M6340&M6001 INSTALLATION OF RAIN SHOWER HEAD	6page
5:MODEL M6340&M6502	6page
SHOWER HOLDER INSTALLATION INSTALL THE HAND SHOW HOLDER	
6:MODEL:M6340 DIGITAL DISPLAY MAIN BODY INSTALLATION	7~8page
7:MODEL:M6502	9page
TWO-FUNCTION MAIN CONNECTING PIPE SCHEMATIC DIAGRAM	
8:MODEL:6502	9page
TWO-WAY FUNCTION MAIN BODY CONNECTING PIPE SCHEMATIC DIAGRAM	
9:MODEL:M6001 MAIN BODY VALVE INSTALLATION	10page
10:MODEL:M6001 SHOWER HOLDER INSTALLATION	11page
INSTALL THE HAND SHOW HOLDER	
11:MODEL:M6502 BATHTUB SPOUT INSTALLATION	11page
12:MODEL:M6001 BODY JET INSTALLATION	11page
13:CARE AND MAINTENANCE	12page

◆ INSTALLATION CONDITION



1. Refer to the 《Standard Part List》 when unpacking , check all parts available .
2. Do not disassemble mixer body by yourself.
3. Connect inlet hoses to supply valves.
4. Make sure inlet pipes and supply valves have been installed and cleaned, also ensure no impurities in pipeline.
5. After installation , check all joints for leakages.
6. Suggest don't fit the faucet in the severely corrosive environments.



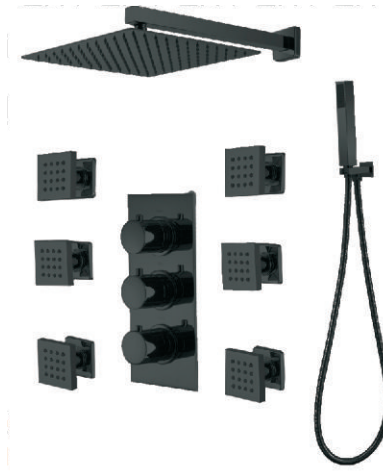
◆ PRODUCT PHOTO



**MODEL:M6340
DIGITAL DISPLAY SHOWER SET**



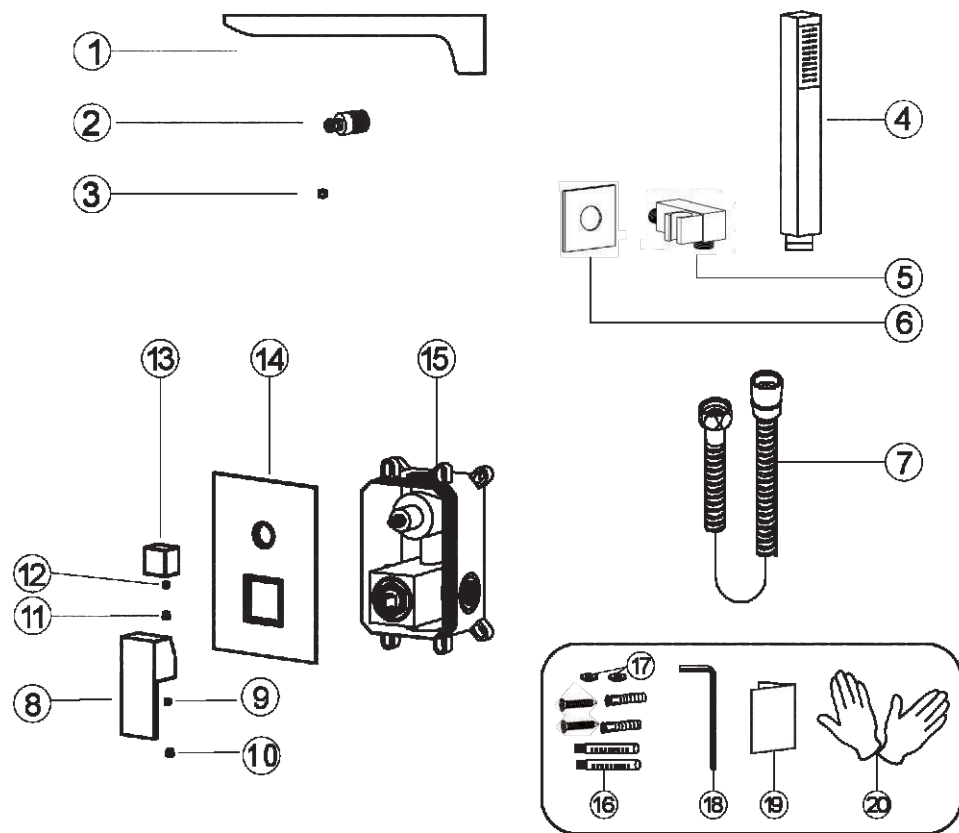
**MODEL:M6502
BATHTUB FAUCET**



**MODEL:M6001
THERMOSTATIC SHOWER SET**

◆ **PRODUCT LIST**

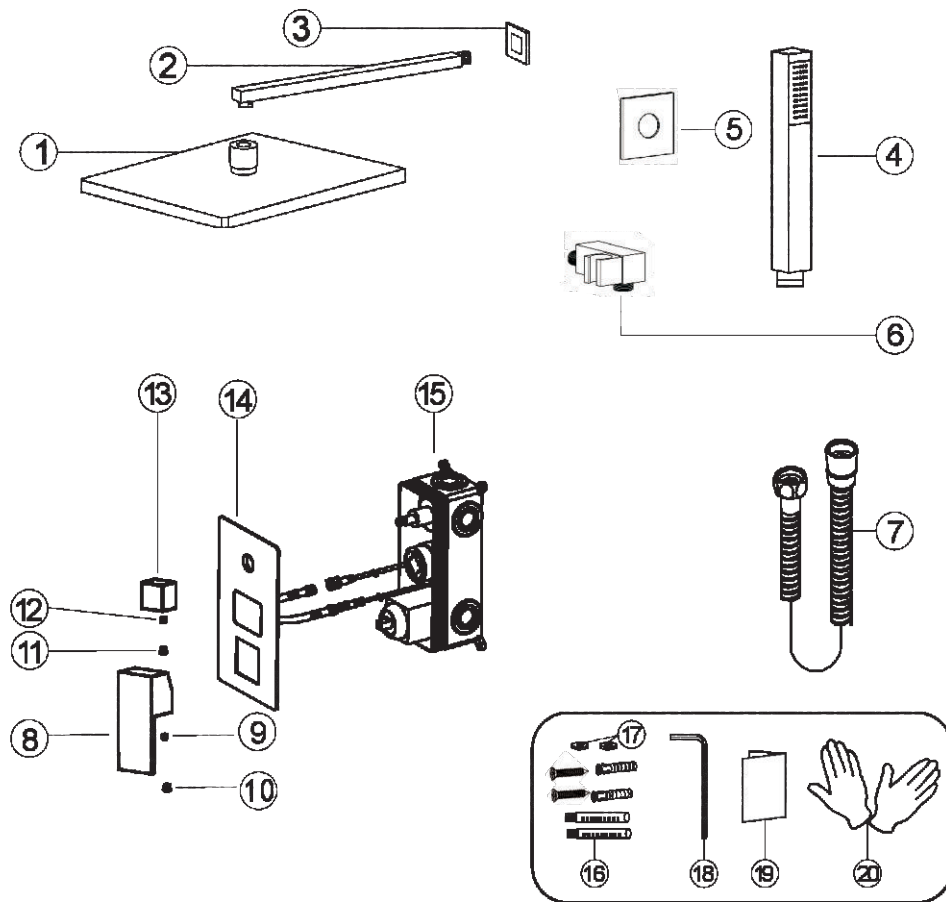
Model:M6502



No.	Part name	Qty	No.	Part name	Qty
1	Waterfall spout	1	11	Water divider cup	1
2	Spout copper	1	12	Water divider screw	1
3	Spout screw	1	13	Water divider	1
4	Shower hand	1	14	Panel	1
5	Hand shower holder	1	15	Main body	1
6	Holder cup	1	16	Body box screw	4
7	Shower hose	1	17	Valve gasket spare parts	4
8	Handle	1	18	Wrench	1
9	Handle screw	1	19	Instruction manual	1
10	Handle cup	1	20	Gloves	2

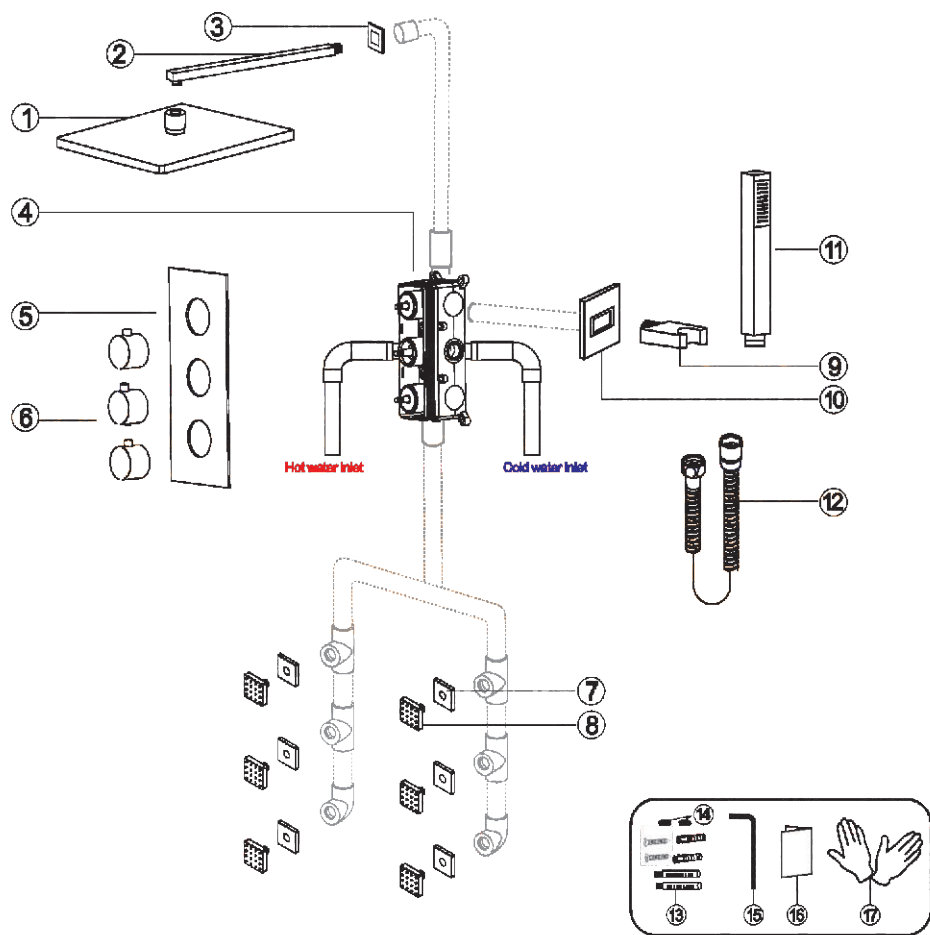
◆ **PRODUCT LIST**

Model:M6340



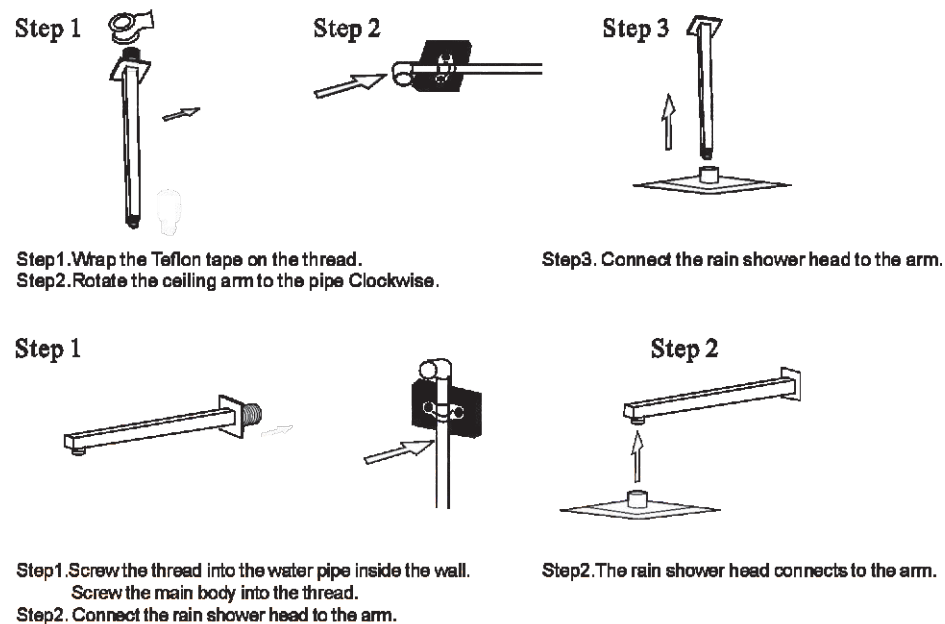
No.	Part name	Qty	No.	Part name	Qty
1	Shower head	1	12	Water divider screw	1
2	Shower arm	1	13	Water divider	1
3	Shower arm cup	1	14	Panel	1
4	Shower hand	1	15	Main body	1
5	Holder cup	1	16	Body box screw	4
6	Hand shower holder	1	17	Valve gasket spare parts	4
7	Shower hose	1	18	Wrench	1
8	Handle	1	19	Instruction manual	1
9	Handle screw	1	20	Gloves	2
10	Handle cup	1			
11	Water divider cup	1			

◆ **PRODUCT LIST**
Model: M6001

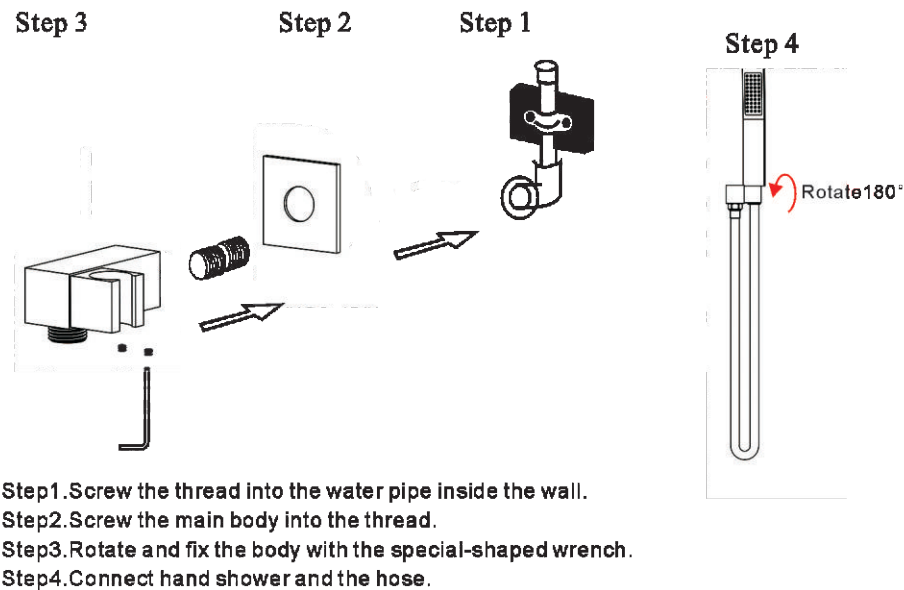


No.	Part name	Qty	No.	Part name	Qty
1	Shower head	1	10	Hand show holder	1
2	Shower arm	1	11	Shower hand	1
3	Shower arm cup	1	12	Shower hose	1
4	Embedded box	1	13	Screw	4
5	Panel	1	14	Valve gasket spare parts	4
6	Handle	3	15	Wrench	1
7	Massage shower cup	6	16	Instruction manual	1
8	Massage shower	6	17	Gloves	1
9	Holder cup	1			1

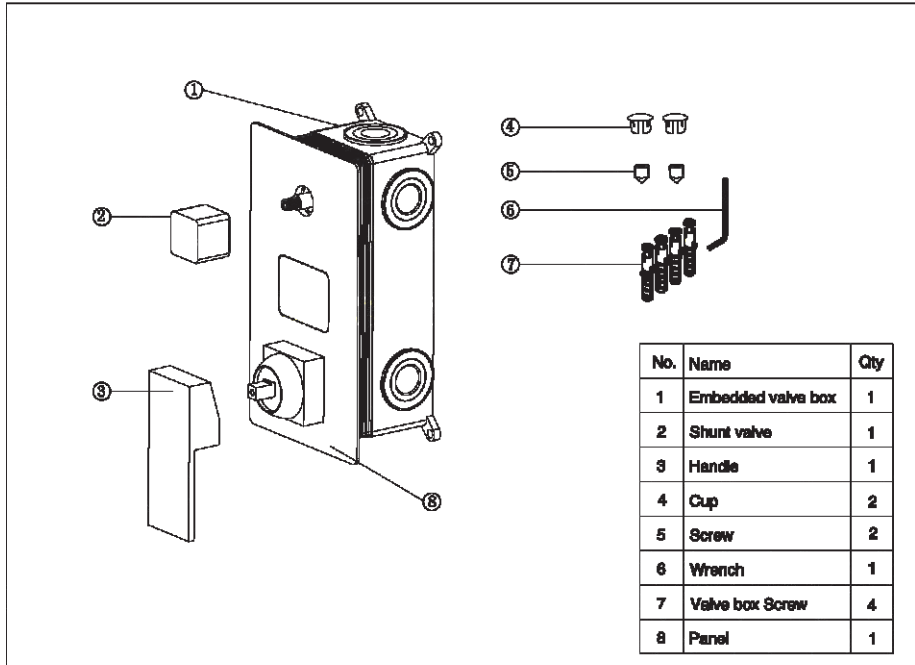
◆ **MODEL: M6340&M6001**
INSTALLATION OF RAIN SHOWER HEAD



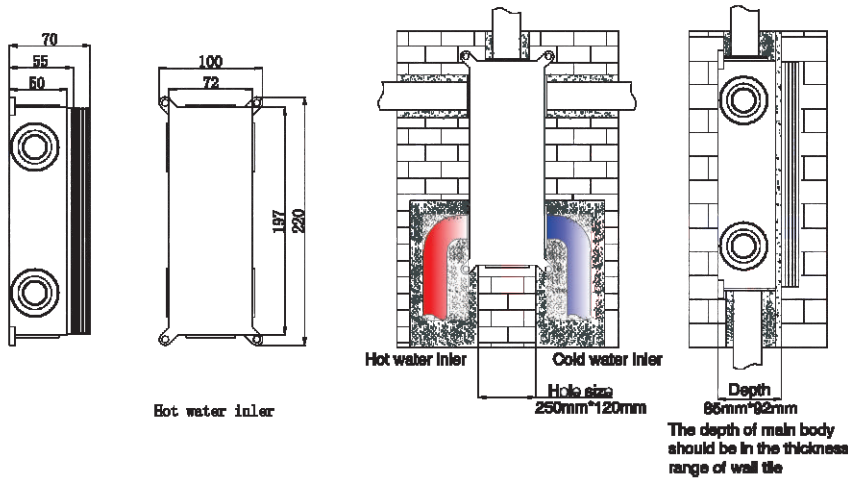
◆ **MODEL M6340&M6502**
SHOWER HOLDER INSTALLATION
INSTALL THE HAND SHOWER HOLDER



◆ MODEL: M6340
Digital display main body Installation Instruction

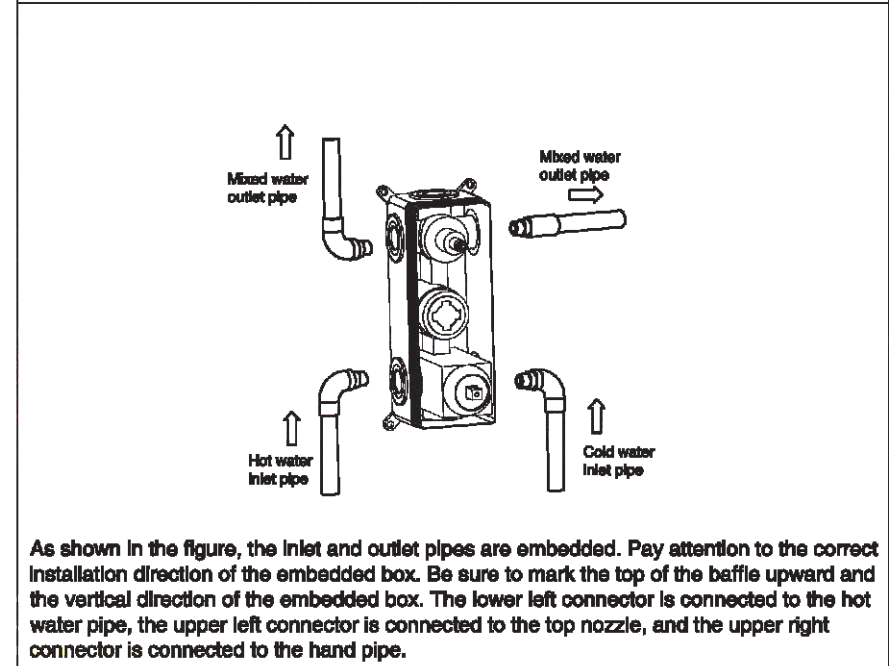
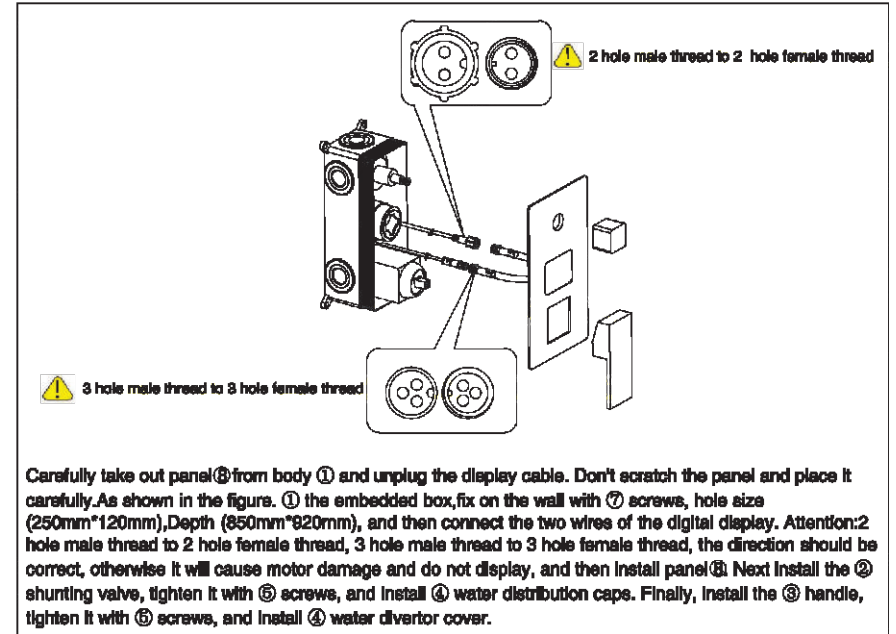


unit:mm



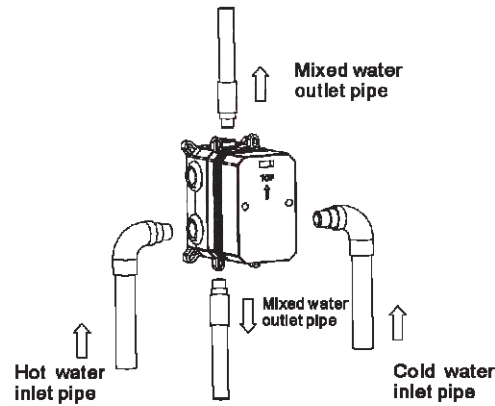
According to the basic size of the embedded box, use a special tool to drill the main hole on the solid wall. As shown in the figure, consideration should be given to the depth of the wall and the bottom base after final treatment. Take out the spirit level to install the embedded box and test whether the installation is parallel.

◆ MODEL: M6340
Digital display main body Installation Instruction



⚠ Attention! Do not disassemble the product without professional guidance. Pictures are for reference only. All spare parts are subject to the actual product. When the water pressure is lower than 2bar and greater than 6bar, the digital display may not work

◆ **MODEL: M6502**
TWO-FUNCTION MAIN CONNECTING PIPE SCHEMATIC DIAGRAM

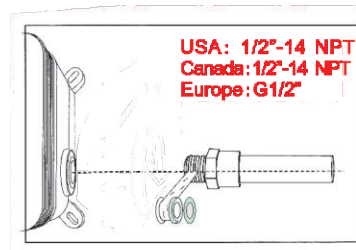
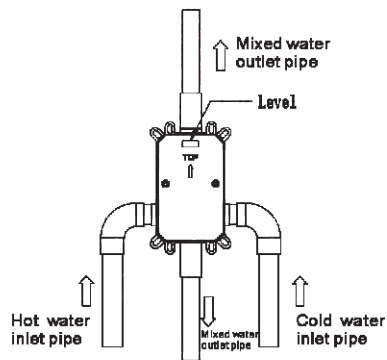


As shown in the figure, the inlet and outlet pipes are pre-buried, pay attention to the correct direction of installing the pre-buried box, and make sure that the mark TOP on the top of the installation box is facing upward.

◆ **MODEL :M6502**
2 WAY FUNCTION MAIN BODY CONNECTING PIPE SCHEMATIC DIAGRAM



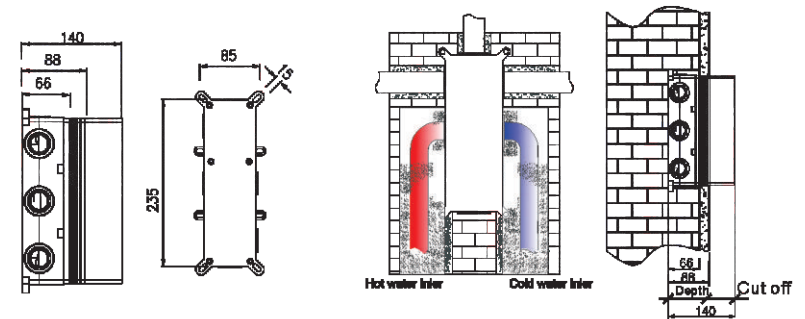
Warning: must install hot water and cold water inlet strictly as instructions.



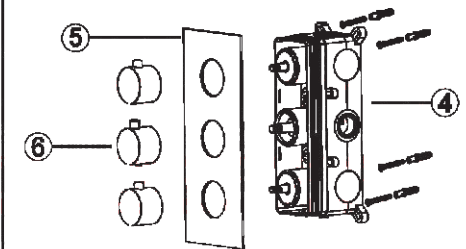
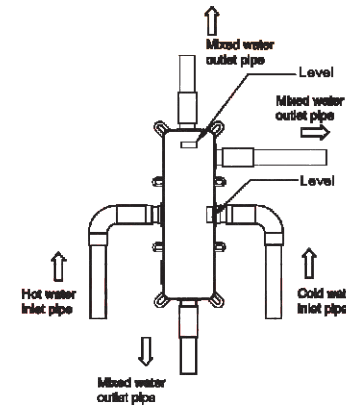
Install the hot and cold water inlet pipes, Shower head and hand shower holder pipes. Turn on the water source to test whether the left and right inlet pipes are tightly connected without leakage. After the test, adjust the flow switch to be on to test whether the mixed outlet pipe. The connection is tight and there is no leakage.

◆ **MODEL: M6001**
MAIN BODY VALVE INSTALLATION

Unit: mm



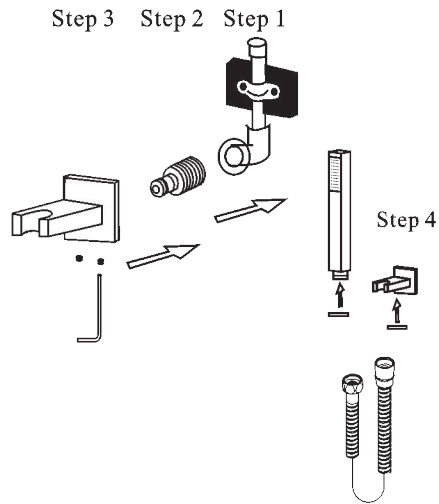
According to the basic size of the concealed box, use a special tool to open the main hole in the solid wall, As shown in the figure, the distance between the surface of the wall after the final treatment and the bottom surface of the opening should be considered to be 68~88mm.



As shown in the figure, the inlet and outlet pipes are embedded. Pay attention to the correct direction of installing the embedded box. Be sure to mark the top of the baffle upward, and the vertical direction of the embedded box. The lower left interface is connected to the hot water pipe, the upper left interface is connected to the top spray pipe, and the upper right interface is connected to the handheld pipe.

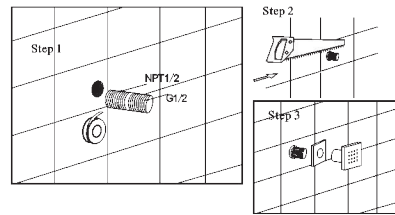
Please fix the ④ Main body to the wall then remove the plastic protective cover and install ⑤ Panel ⑥ handle.

◆ **MODEL:M6001
SHOWER HOLDER INSTALLATION
INSTALL THE HAND SHOW HOLDER**

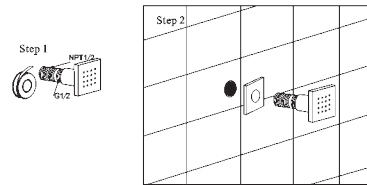


Step1. Screw the thread into the water pipe inside the wall.
Step2. Screw the main body into the thread.
Step3. Rotate and fix the body with the special-shaped wrench.
Step4. Connect hand shower and the hose.

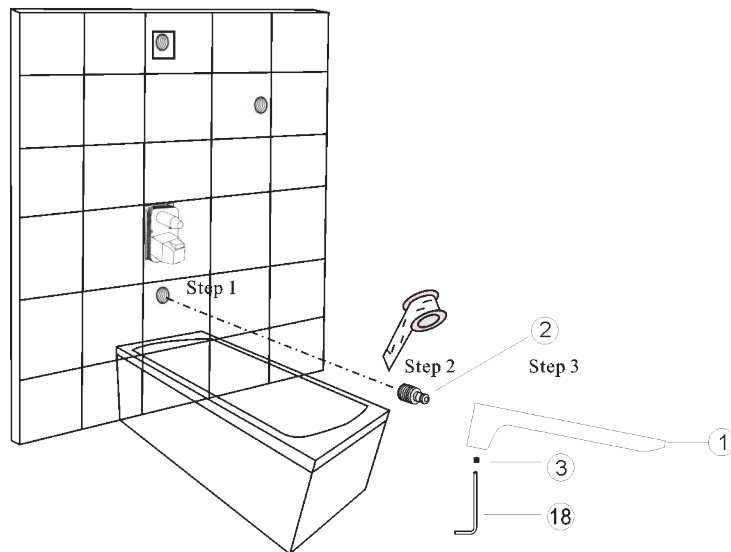
◆ **MODEL:M6001
BODY JET INSTALLATION**



Step 1.Wrap the threaded pipe of NPT1/2 with Teflon tape and screw it into the wall.
Step2.Cut off excess part with a saw.
Step3.Put on the decoration cap, then screw the massage shower in.



◆ **Installation of massage shower**



◆ **CARE AND MAINTENANCE**

In order to keep the mixer surface bright , please clean the mixer regularly.

Rinse faucet with clean water and wipe with soft cotton cloth.

Avoid using cleaning powder , harsh cleaning chemicals, brushes, and cloth with coarse surface to prevent scratching and corrosion.

Do not use acid cleaner to clean the faucet as it may cause surface corrosion of the faucet. If the faucet comes into contact with harmful acid substances, please rinse it with water immediately.



◆ **IF A LARGE-SCALE CLEAN-UP IS NECESSARY, FOLLOW THESE PROCEDURES:**

1:Use clean water and soft cloth to remove dirt on the surface as much as possible.

2:Use one of the following cleaners to remove dirt on the surface

Mild liquid cleaner.

Colorless glass cleaner, powder cleaner which does not have abrasive function and can be dissolved completely.

Polish liquid which does not have abrasive function.

3:After cleaning, remove the cleansing agent with clean water completely and wipe with soft cotton cloth.

Website: www.casainc.com
Contact Phone Number: (303) 747-4321
Service Contact: service@casainc.com