

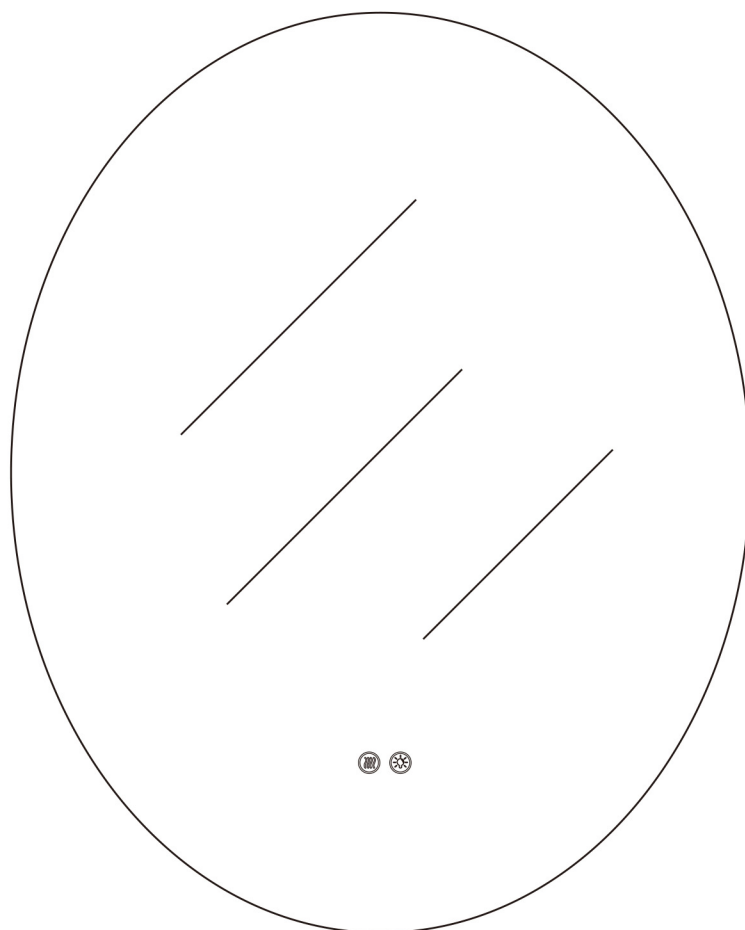


THE ANSWER TO IDEAL LIVING

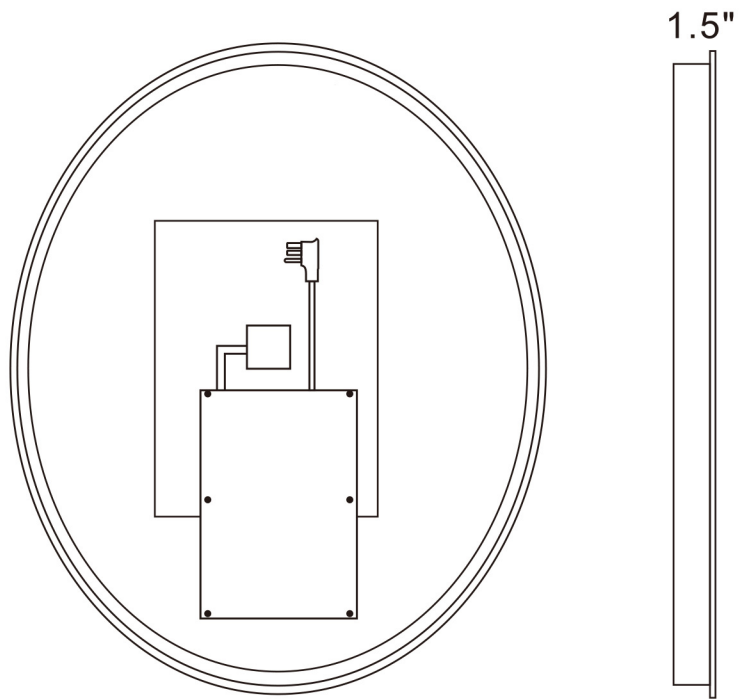
# PRODUCT INSTALLATION MANUAL

WHEN IT COMES TO HOME, THIS IS THE BEST ANSWER.

# LED Bathroom Mirror User Manual



# User Manual



## Accessories

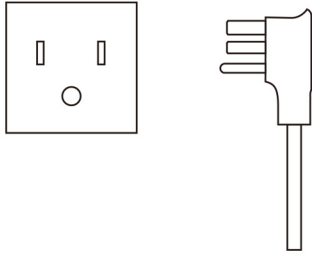
<p>7.8"</p>	1PCS		2PCS
-------------	------	--	------

## Specification

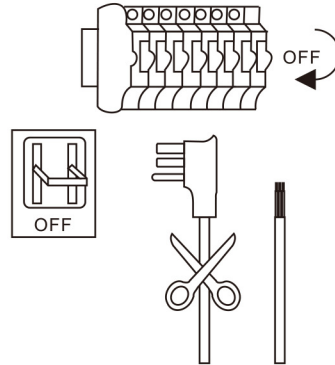
Size	Thickness	Touch Button	LED Stripe Model	Color Temperature	Lumen	CRI	Power	Input Voltage (V)	Weight (kg)
20"x28"	1.5"	2	2835 3 colors 192LED	3000/4000/ 6000	3088	90	24W	120V	5.7
22"x30"	1.5"	2	2835 3 colors 192LED	3000/4000/ 6000	3634	90	24W	120V	6.3
24"x32"	1.5"	2	2835 3 colors 192LED	3000/4000/ 6000	4388	90	24W	120V	7.15
24"x36"	1.5"	2	2835 3 colors 192LED	3000/4000/ 6000	5090	90	24W	120V	7.8
28"x36"	1.5"	2	2835 3 colors 192LED	3000/4000/ 6000	5792	90	24W	120V	8.8
24"x40"	1.5"	2	2835 3 colors 192LED	3000/4000/ 6000	6570	90	24W	120V	8.5

# Installation Instruction

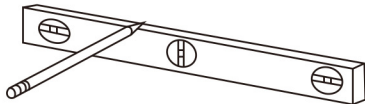
## Power Method 1



## Power Method 2

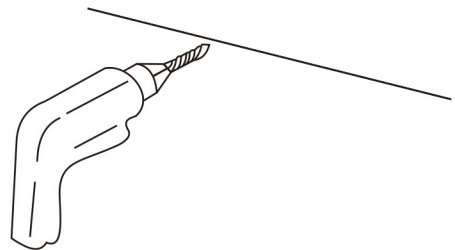


## Step 1



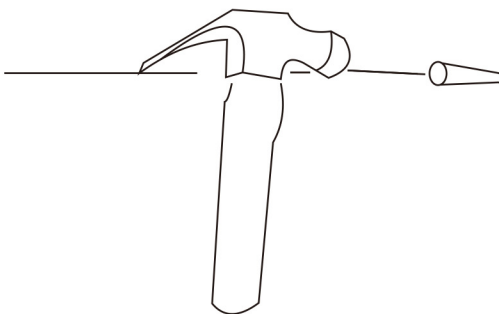
Draw a straight line with a ruler to keep the mirror horizontal

## Step 2

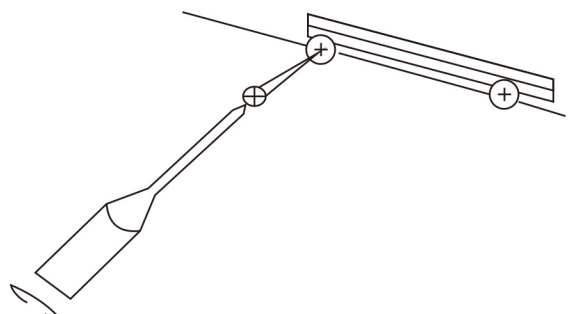


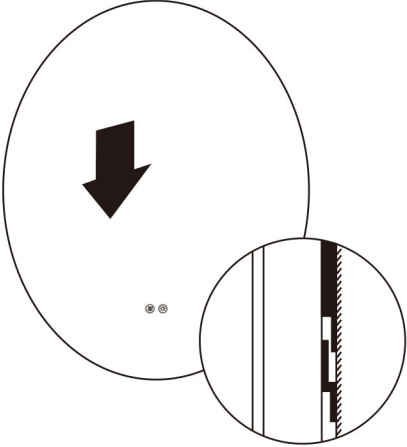
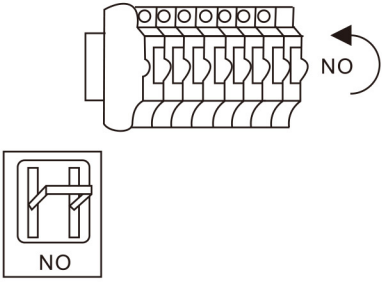
Drill 2 holes on the wall

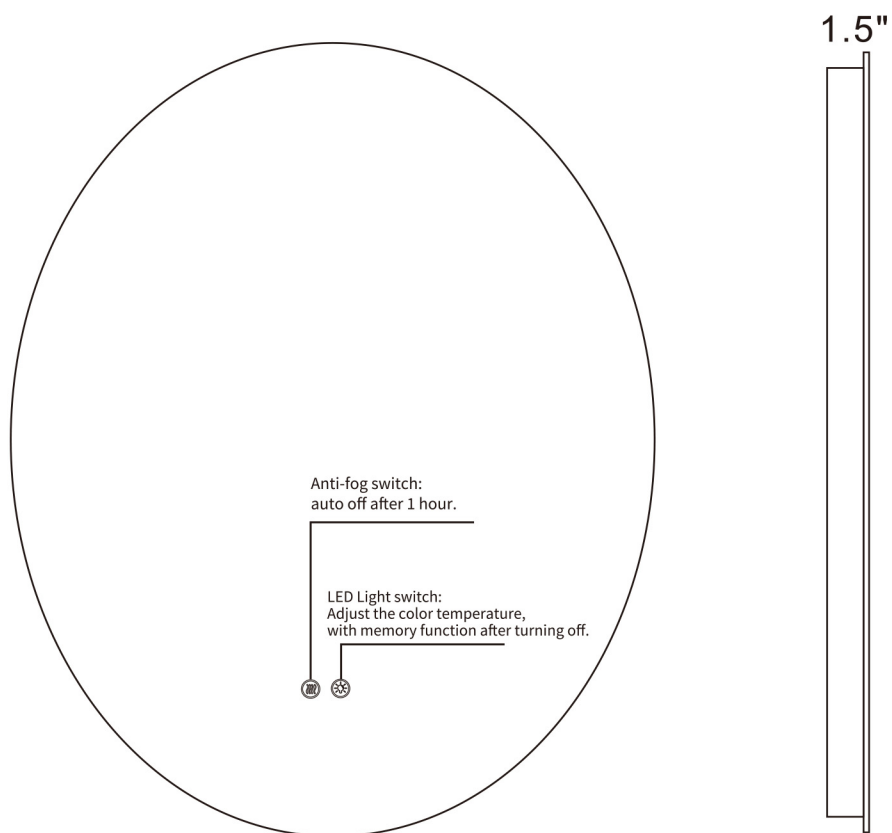
## Step 3



## Step 4



Step 5	Step 6
	



**Warm Tips:**

1. Please check the mirrors firstly after you receive it and make sure the led mirror is intact and no damage. The accessories are hanging behind the mirror, please recheck the packing box if you did not find it.
2. Please power the mirror with plug to test the mirror and each functions before installation. If it can not be powered, please open the cover of the power supply on the back of the mirror to test the power cables, tighten the cables if they are loose. ( Please cut off the power firstly before testing the power supply and cables)
3. For any questions or problems, please feel free to contact us.



THE ANSWER TO IDEAL LIVING



**Call us (9-8 EST): +1 888-257-3857**

**Email us (24/5) : [service@casainc.com](mailto:service@casainc.com)**

**Message us : +1 562-551-8092**

**For sales : [dtc@casainc.com](mailto:dtc@casainc.com)**